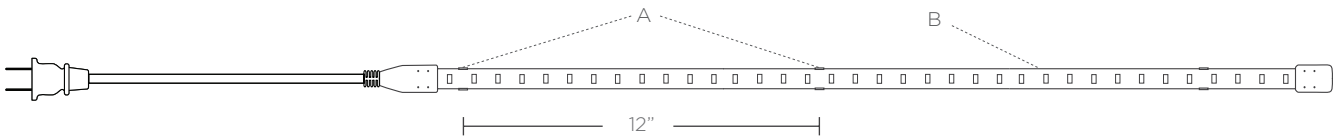


INSTALLATION WITH MOUNTING CLIPS

1. Space Mounting Clips (A) every 12" along the desired path of the RibbonLyte and screw in place.

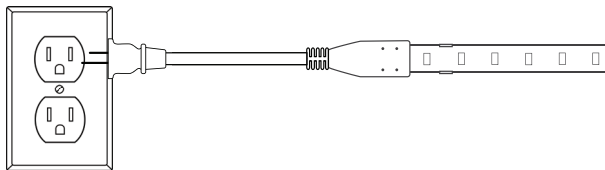


2. Snap the RibbonLyte (B) in place inside the Mounting Clips (A).

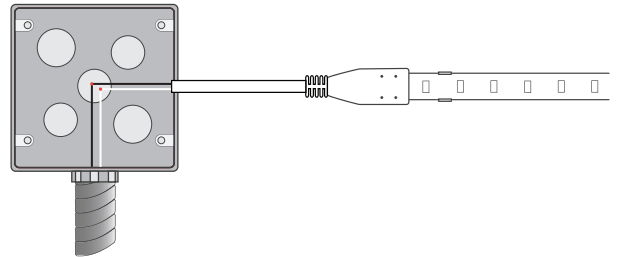


WIRING OPTIONS

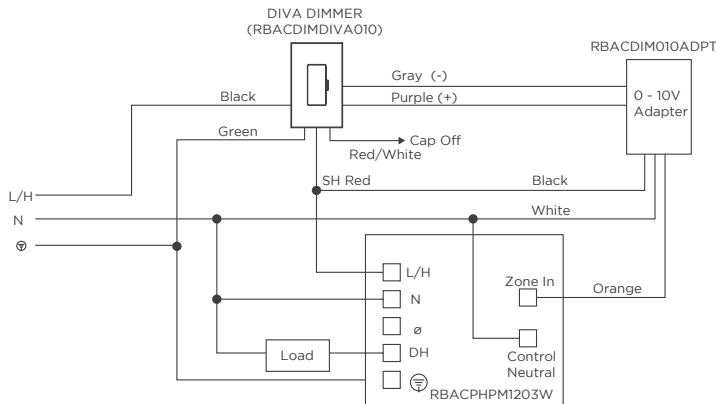
1. Plugged into a wall outlet.



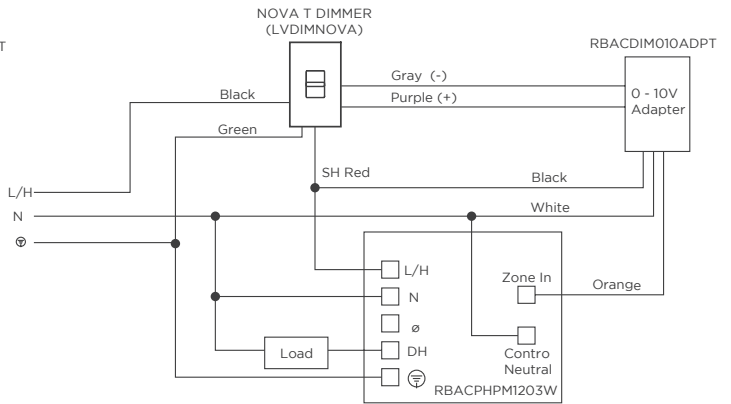
2. Hard wired into a junction box.



3. Adaptive Power Module (RBACPHPM1203W) control from 0-10V Lutron Diva Dimmer (RBACDIMDIVA010) through a 0-10V adapter (RBACDIM010ADPT).



4. Adaptive Power Module (RBACPHPM1203W) control from 0-10V Lutron Nova T Dimmer (LVDIMNOVA) through a 0-10V adapter (RBACDIM010ADPT).

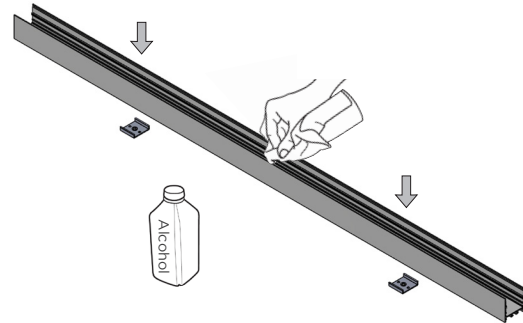


IN-CHANNEL INSTALLATION

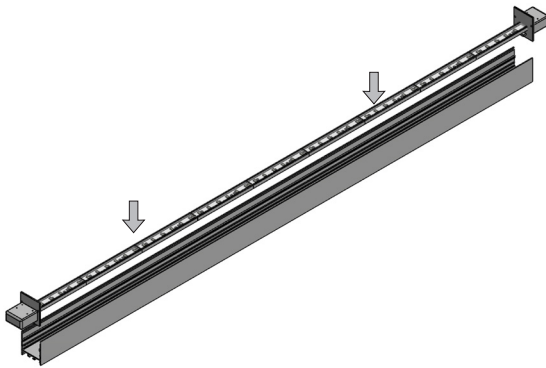
1. Mark desired location for mounting clips. Secure mounting clips with screws.



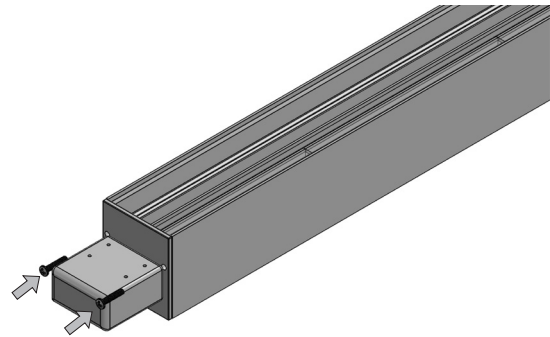
2. Attach the channel to the mounting clips. Clean the mounting surface with rubbing alcohol. Dry.



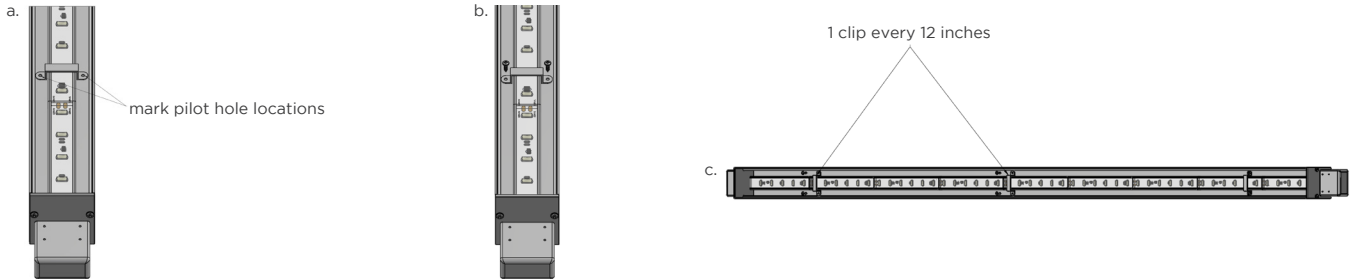
3. Align Direct AC RibbonLyte with channel and place inside.



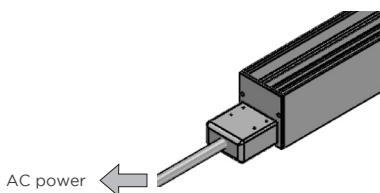
4. With channel end caps already attached to both ends of RibbonLyte run, secure the end caps to both sides of channel.



5. Place silicone mounting clips over RibbonLyte and mark locations for pilot holes. Remove silicone mounting clip and drill pilot holes for size #4 screws in the marked locations. Replace the mounting clips over the RibbonLyte and secure to the channel by fastening screws. Repeat for each mounting clip, placing one every 12 inches.



6. Direct AC RibbonLyte uses high voltage AC power. Ensure that all incoming power is shut OFF before making electrical connections. Connect Direct AC RibbonLyte to incoming power.



7. Place the lens onto the channel to complete installation.

