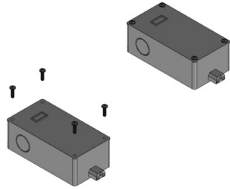
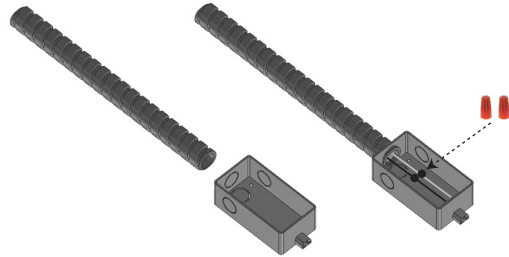




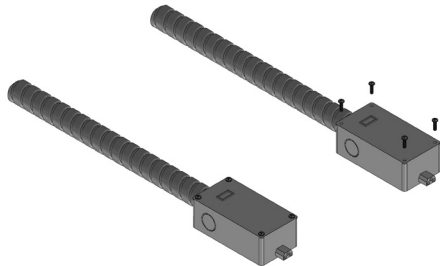
1. If using the RACJBOX, remove the top cover.



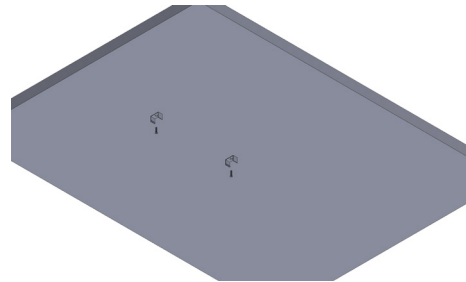
2. Make all necessary electrical connections inside of the RACJBOX.



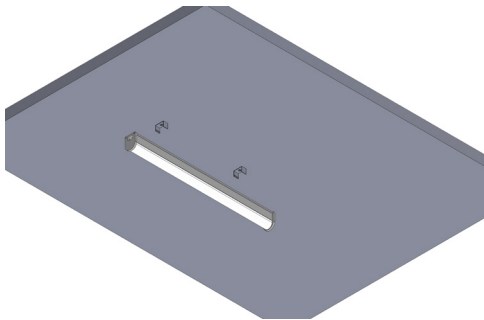
3. Replace the top cover on the RACJBOX and mount in the desired location.



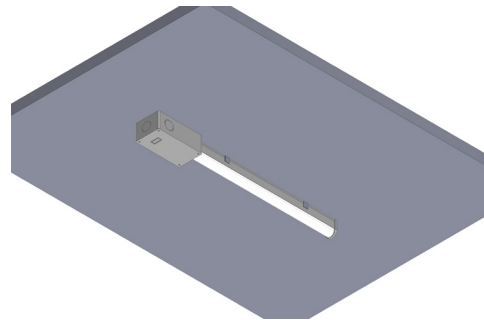
4. Mark the desired location of the Rigid AC on the mounting surface. Drill pilot holes for the mounting clips and then fasten the mounting clips to the surface with screws.



5. Press fit the Rigid AC fixture into the mounting clips.



6. If using the power cable, connect the ends of the cable from the RACJBOX to the Rigid AC. Otherwise, connect the Rigid AC fixture directly to the RACJBOX.



7. Installation complete.

