

1. Align the tiltable stands along the desired channel path. Mark the location of the fastener holes and drill pilot holes.



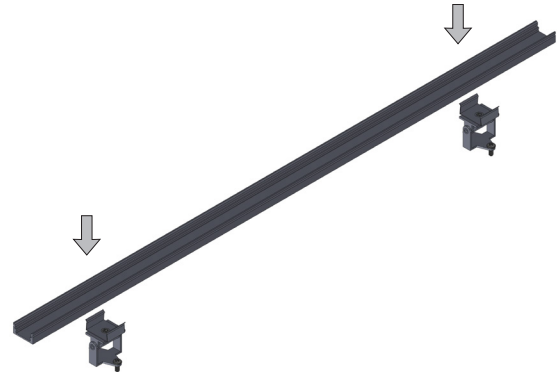
2. Secure the tiltable stands in place with the screws.



3. Place the channel mounting clips onto the tiltable stands and secure in place with the mounting clip screws.

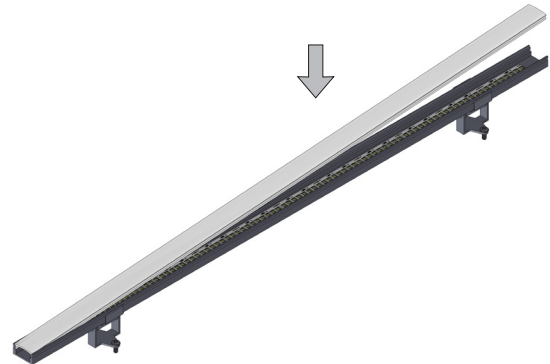
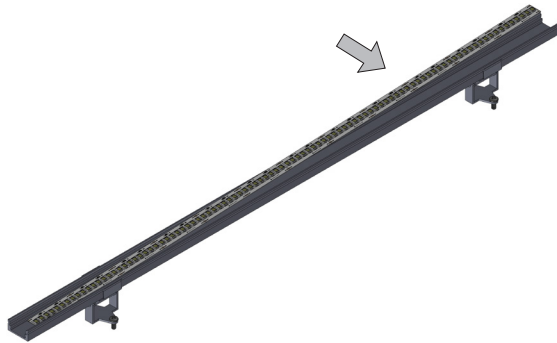


4. Align the channel over the mounting clips and fix the channel in place by pressing down & snapping into place in the mounting clips. Ensure that the channel is secure.



5. Clean the inner surface of the channel free of dust and debris with rubbing alcohol and a cloth. Then place the RibbonLyte inside with the 3M backing tape. Make all necessary electrical connections.

6. Install the lens over the channel by snapping or sliding it in place.



7. Insert both end caps.

8. Tilttable stand and channel installation complete.

