



NEONLYTE INSTALLATION GUIDE

Tech Support: 212.629.6830



Our US team is in place to answer all of your product questions and help with installations.



U.S. 24-HR TECHNICAL SUPPORT

(+1) 212 629 6830 *301
Tech@GENLEDBrands.com



U.S. PRICING & SALES SUPPORT

(+1) 212 629 6830 *300
Sales-US@GENLEDBrands.com



U.S. CUSTOMER SERVICE

(+1) 212 629 6830 *304
CustomerService@GENLEDBrands.com

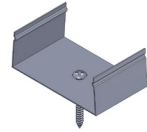
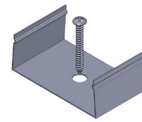
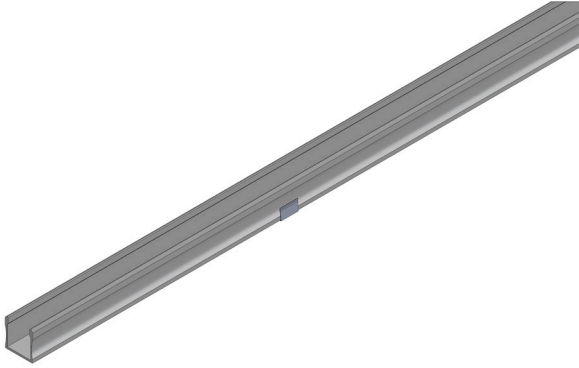


STRAIGHT NEONLYTE INSTALLATION

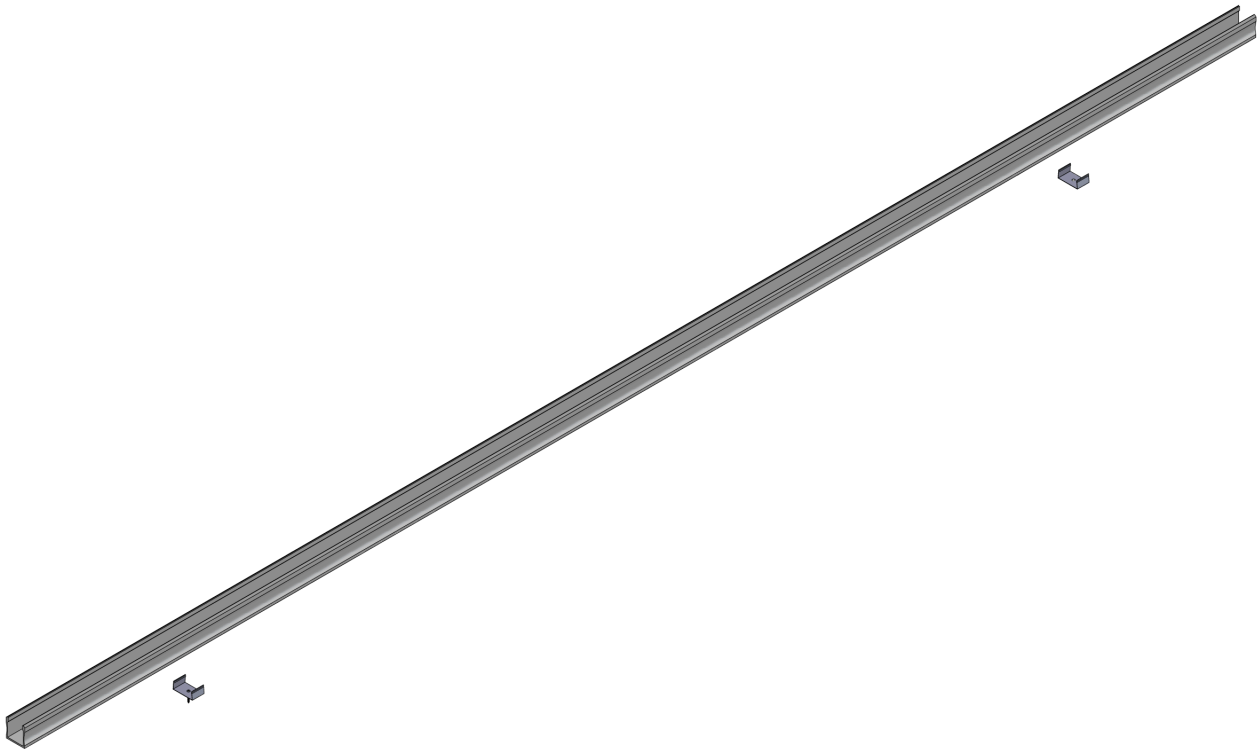


1. Place the aluminum Neonlyte channel in desired location with mounting clips attached. Mark the location of the mounting clips.

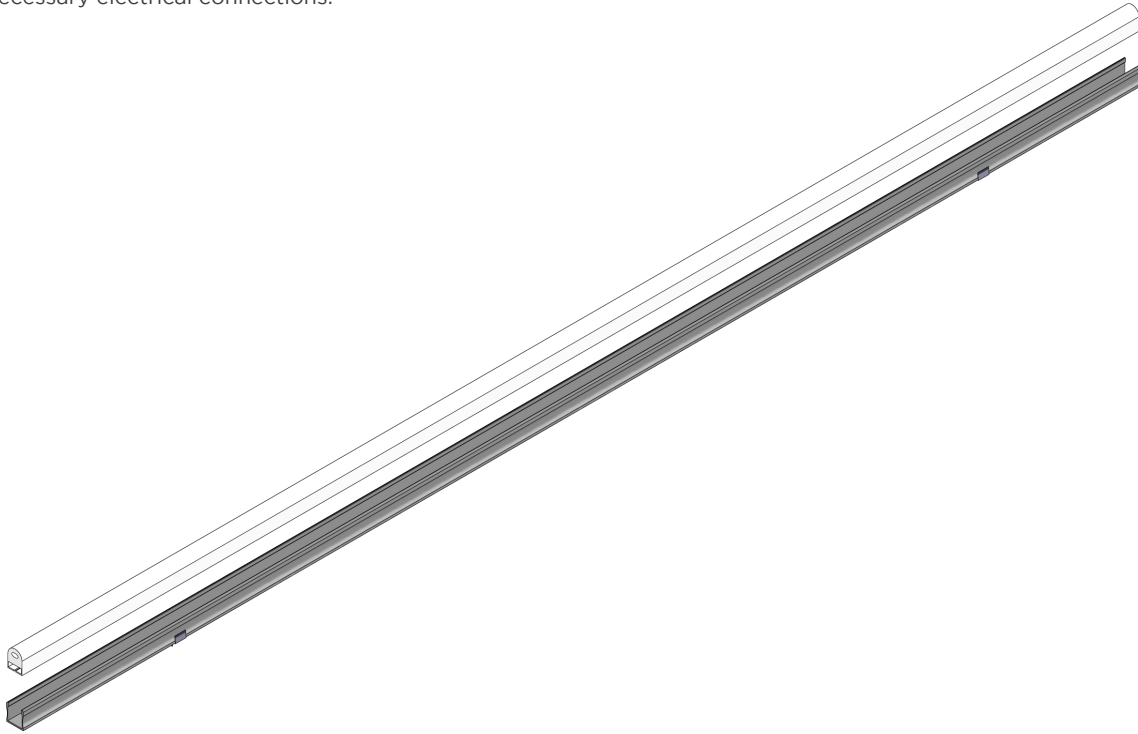
2. Remove the channel from the mounting clips. Drill pilot holes at marked locations and fasten the mounting clips into the surface.



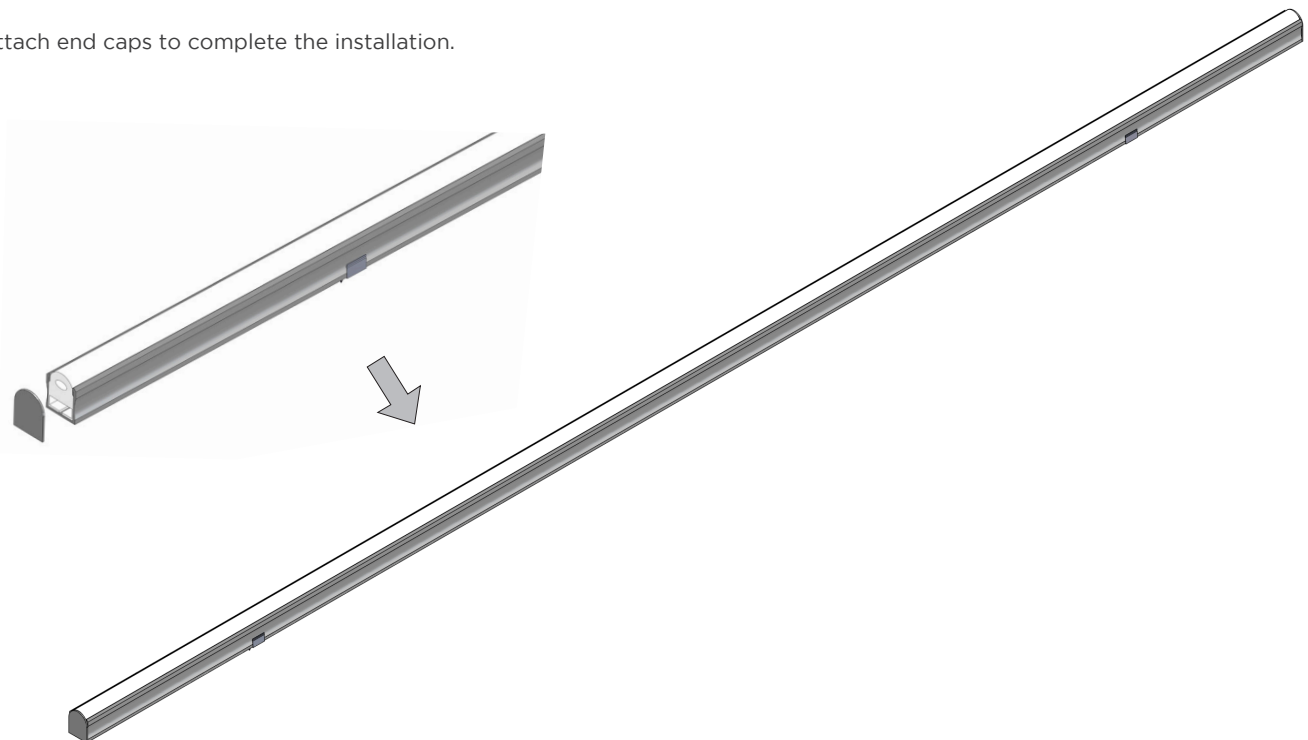
3. Re-align the aluminum channel in the desired location and press fit into the mounting clips.



4. Align the silicone tubing with the aluminum channel and press into place, making sure that it is evenly secure. Make all necessary electrical connections.



5. Attach end caps to complete the installation.



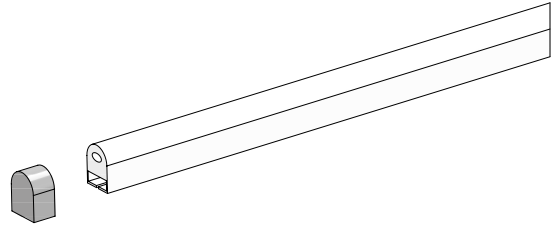


FLEX NEONLYTE INSTALLATION

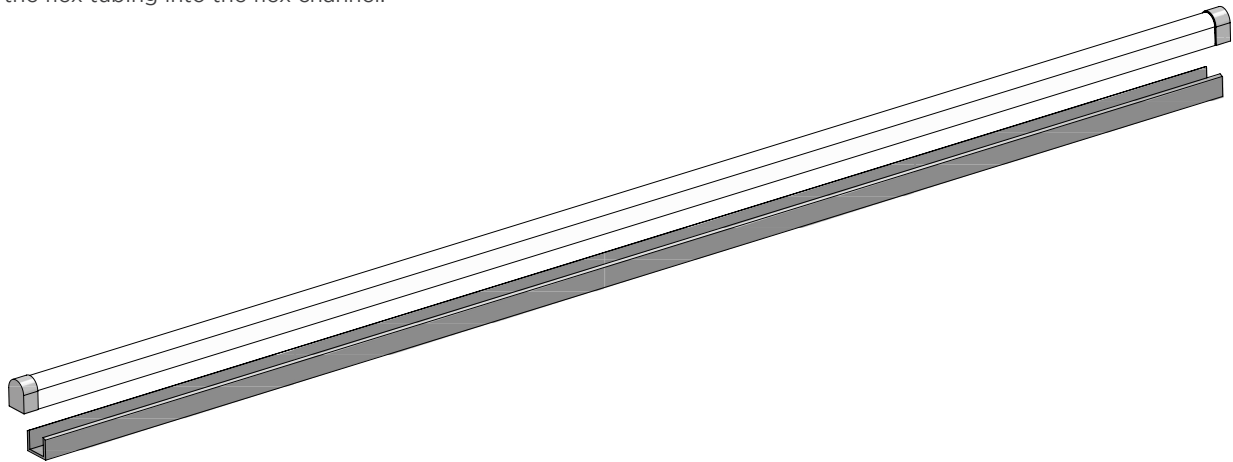
1. Place the Neonlyte flex mounting clips along the desired path of the Neonlyte. Mark mounting locations and drill pilot hole for future fastening.



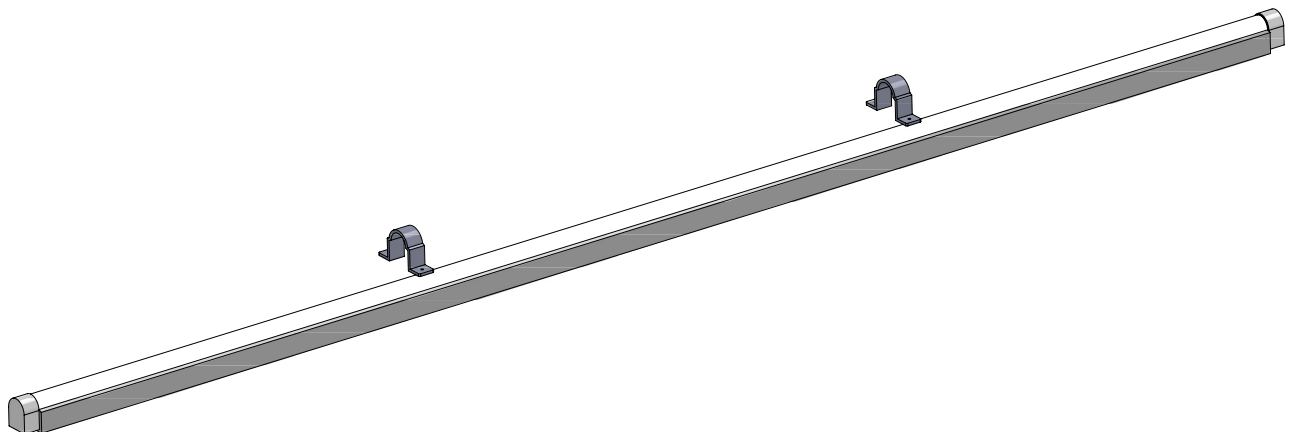
2. Make all necessary electrical connections. Coat the inside of the end caps with silicone and place on the Neonlyte flex tubing.



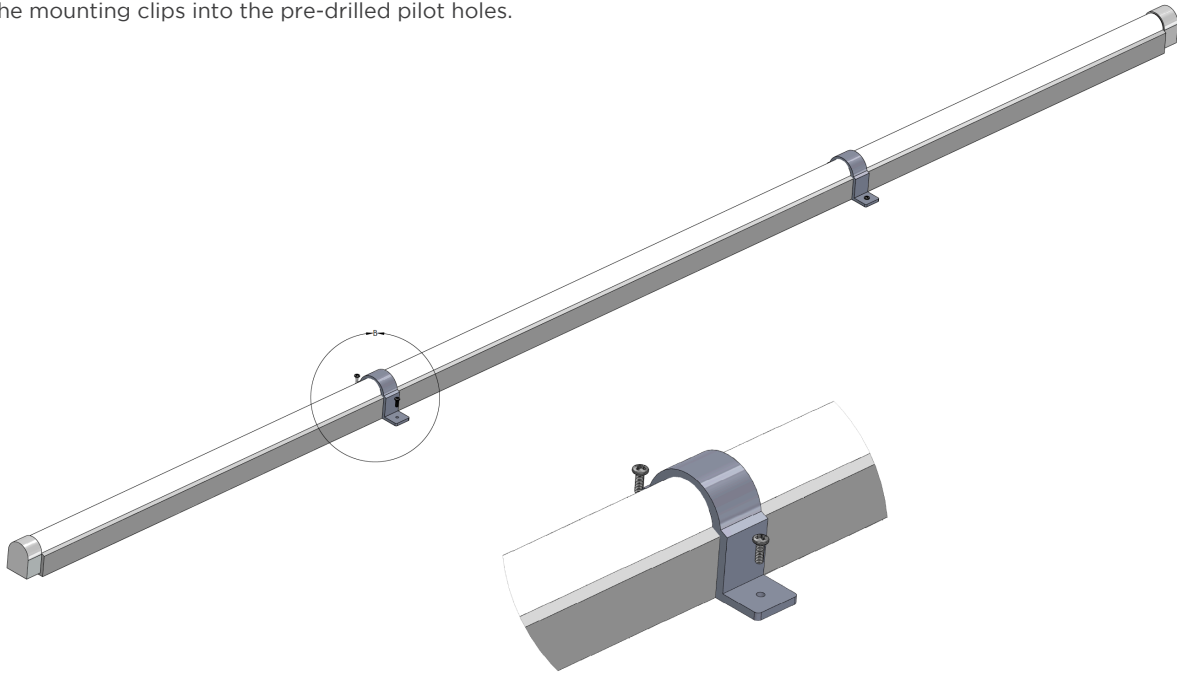
3. Insert the flex tubing into the flex channel.



4. Align the assembled Neonlyte in the desired location and re-place the mounting clips in the marked locations over the Neonlyte.



5. Fasten the mounting clips into the pre-drilled pilot holes.



6. Fixture installation complete.

