

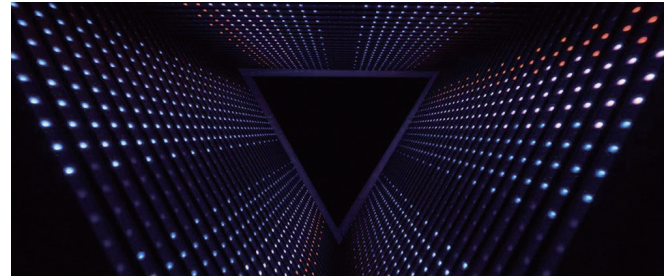
ARMOR SERIES | LED DOME NODE

GENLED Acolyte[®] Nodes are versatile, single-point source fixtures available in a variety of colors. They can be used to create a unique pixel display or highlight architectural details.

Gel-Flush™ technology is the latest proprietary innovation from **GENLED Acolyte**[®]. This technology prevents breaches from any atmospheric or weather related elements! Our complete exterior wall washer line and all outdoor products are now manufactured with Gel-Flush™ Technology.

With the help of Dow Corning's RTV silicone electronic potting adhesive, Gel-Flush™ gets pushed through the fixtures, followed by the installation of the lens covers and end caps, and then set aside for a 24-hour curing period.

Exterior products are guaranteed to never leak, condensate, or be breached by any environmental elements. This results in a clear, unobstructed beam of light from the **GENLED Acolyte**[®] fixtures. No more water beads changing or refracting the specified beam angles.



Applications:

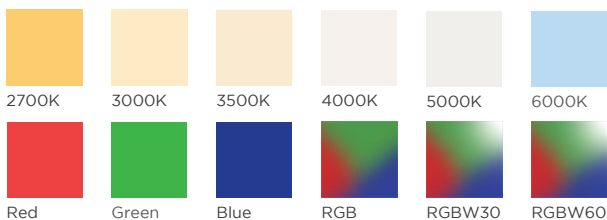
- Commercial Hospitality Retail
- Entertainment Museums
- Healthcare Public Spaces



ORDERING GUIDE

Category	Shape	Wattage	Colors & Color Temperatures		Lens
NODE	D				
NODE - LED Node	D - Dome	2.5 - 2.5 W	27 - 2700K (2.5 W Only)	R - Red (2.5 W Only)	C - Clear
		5 - 5 W	30 - 3000K (2.5 W Only)	G - Green (2.5 W Only)	M - Milky
			35 - 3500K (2.5 W Only)	B - Blue (2.5 W Only)	
			40 - 4000K (2.5 W Only)	RGB - RGB (2.5 W / 5 W optional)	
			50 - 5000K (2.5 W Only)	RGBW30 - RGBW3000K (2.5 W Only)	
			60 - 6000K (2.5 W Only)	RGBW60 - RGBW6000K (2.5 W Only)	

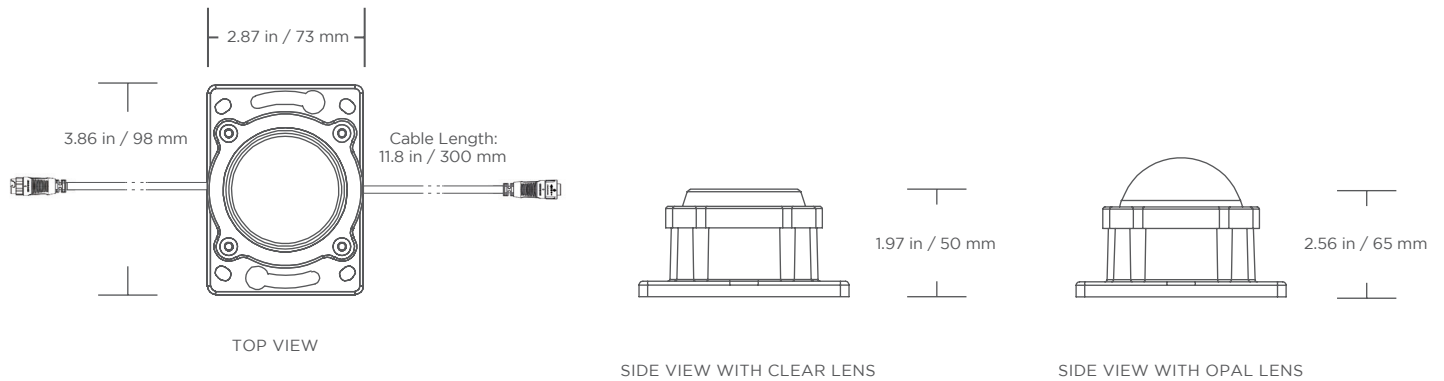
AVAILABLE COLORS + COLOR TEMPERATURES



LED DOME NODE SPECIFICATIONS / DIMENSIONS / DIAGRAMS

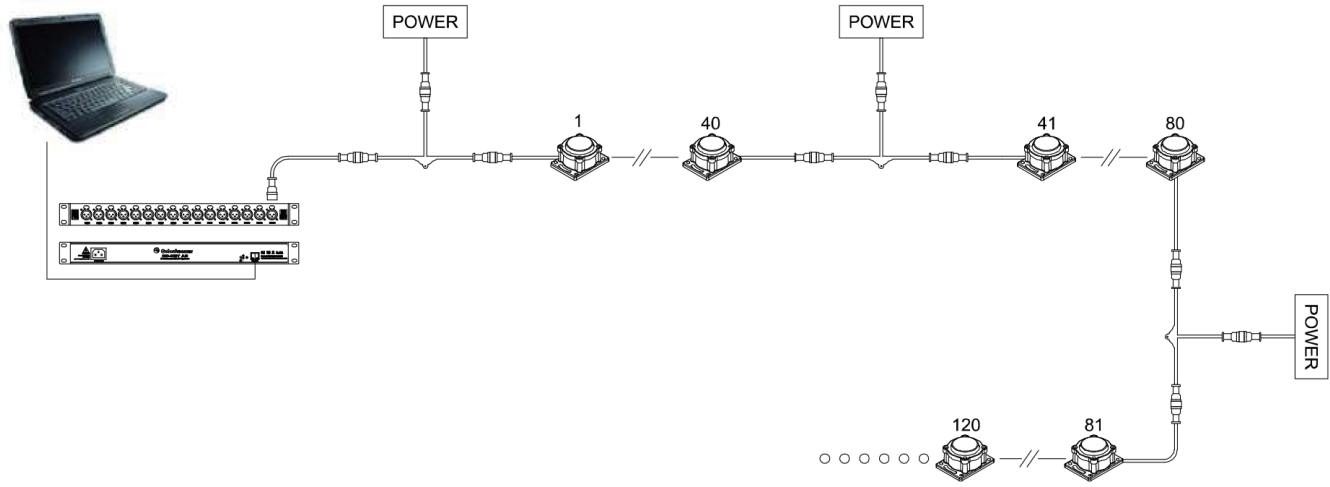
SPECIFICATIONS	
Color	2.5 W: 2700K, 3000K, 3500K, 4000K, 5000K, 6000K, Red, Green, Blue, RGB, RGBW3000K, RGBW6000K 5 W: RGB
LED QTY	12 pcs
View Angle	120°
Voltage	DC 24V
Power	2.5 W, 5 W (RGB only)
Control	DMX512
Address Setting	Auto
DMX Channels	White: 1, RGB: 3, RGBW: 4
Housing Color	Black (Custom finishes available by request)
Max # of Fixtures which can Daisy-Chain Power	40 fixtures
Diffuser	Clear, Milky
Cable Entry	Side
Ambient Temperature	-40° F to 122° F (-40° C to 80° C)
Storage Temperature	-40° F to 122° F (-40° C to 80° C)
Certificate	CE/ROHS
Binning Tolerance	± 150 (Static White Only)

DIMENSIONS



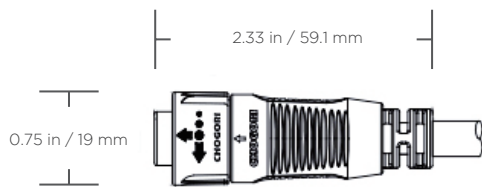
USAGE GUIDELINES / CONNECTION / CONNECTORS

CONNECTION

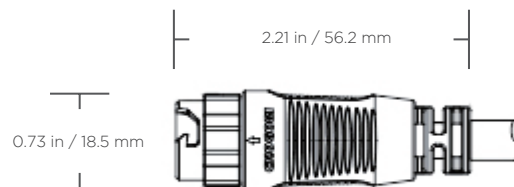


* Maximum number of chainable fixtures before adding power: 40 fixtures

CONNECTORS



MALE CONNECTOR



FEMALE CONNECTOR

USAGE GUIDELINES

- Compatible with a wide variety of control products including the entire line of Lutron dimming systems.
- Using Triac or MLV drivers and interface controllers (DMXINF models) is recommended.
- Using non-GENLED Acolyte[®] Triac, MLV or ELV drivers is not supported or warranted.
- We reserve the right to make changes to product lineup, specifications, design and finishes at any time without notice.

REV.24MAY2021