

Date _____ Project _____

Notes _____

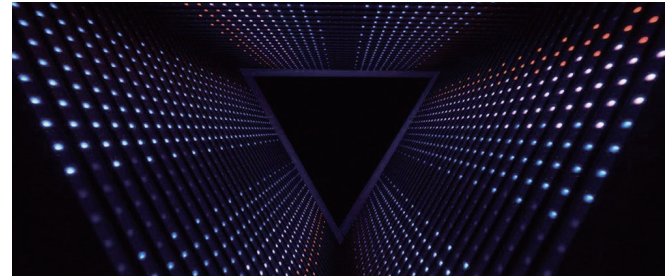
ARMOR SERIES | LED FLAT NODE

GENLED Acolyte® Nodes are versatile, single-point source fixtures available in a variety of colors. They can be used to create a unique pixel display or highlight architectural details.

Gel-Flush™ technology is the latest proprietary innovation from **GENLED Acolyte**®. This technology prevents breaches from any atmospheric or weather related elements! Our complete exterior wall washer line and all outdoor products are now manufactured with Gel-Flush™ Technology.

With the help of Dow Corning’s RTV silicone electronic potting adhesive, Gel-Flush™ gets pushed through the fixtures, followed by the installation of the lens covers and end caps, and then set aside for a 24-hour curing period.

Exterior products are guaranteed to never leak, condensate, or be breached by any environmental elements. This results in a clear, unobstructed beam of light from the **GENLED Acolyte**® fixtures. No more water beads changing or refracting the specified beam angles.



Applications:

- | | | |
|---------------|---------------|-------------|
| Commercial | Hospitality | Residential |
| Entertainment | Museums | Retail |
| Healthcare | Public Spaces | |



ORDERING GUIDE

Category	Shape	Wattage	Colors & Color Temperatures		Lens
NODE	F				
NODE - LED Node	F - Flat	1.5 - 1.5 W	27 - 2700K (1.5 W Only)	R - Red (1.5 W Only)	C - Clear
		2.5 - 2.5 W	30 - 3000K (1.5 W Only)	G - Green (1.5 W Only)	M - Milky
			35 - 3500K (1.5 W Only)	B - Blue (1.5 W Only)	
			40 - 4000K (1.5 W Only)	RGB - RGB (1.5 W / 2.5 W optional)	
			50 - 5000K (1.5 W Only)	RGBW30 - RGBW3000K (1.5 W Only)	
			60 - 6000K (1.5 W Only)	RGBW60 - RGBW6000K (1.5 W Only)	

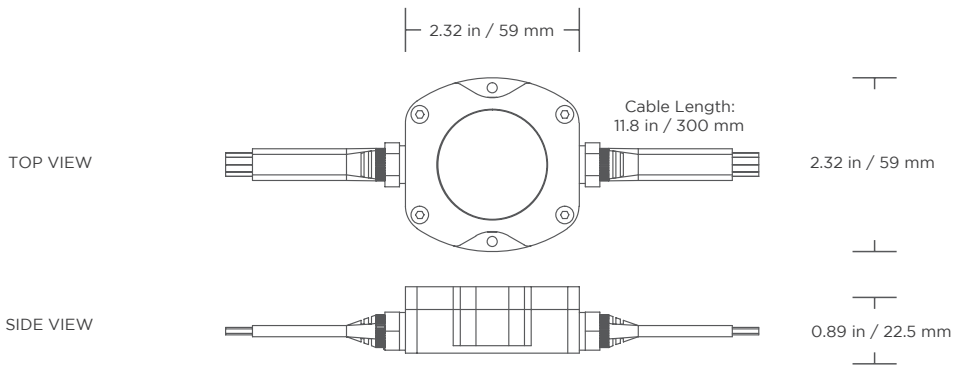
AVAILABLE COLORS + COLOR TEMPERATURES



LED FLAT NODE SPECIFICATIONS / DIMENSIONS / DIAGRAMS

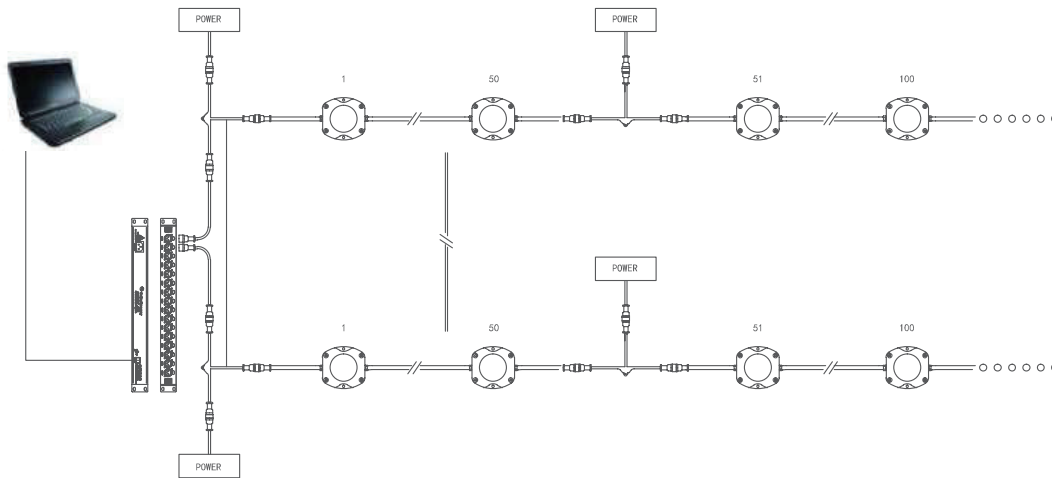
SPECIFICATIONS	
Color	1.5 W: 2700K, 3000K, 3500K, 4000K, 5000K, 6000K, Red, Green, Blue, RGB, RGBW3000K, RGBW6000K 2.5 W: RGB
LED QTY	6 pcs
View Angle	120°
Voltage	DC 24V
Power	1.5 W, 2.5 W (RGB only)
Control	DMX512
Address Setting	Auto
DMX Channels	White: 1, RGB: 3, RGBW: 4
Max # of Fixtures which can Daisy-Chain Power	50 fixtures
Housing Color	Black (Custom colors available by request)
Diffuser	Clear, Milky
Cable Entry	Side
Ambient Temperature	-40° F to 122° F (-40° C to 80° C)
Storage Temperature	-40° F to 122° F (-40° C to 80° C)
Certificate	CE/ROHS
Binning Tolerance	±150 (Static White Only)

DIMENSIONS



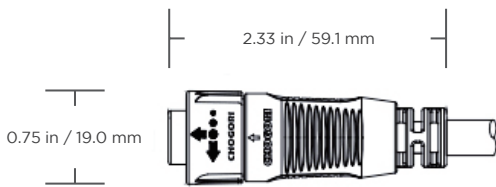
CONNECTION / CONNECTOR DIMENSIONS / USAGE GUIDELINES

CONNECTION

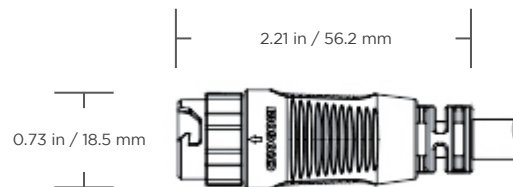


* Maximum number of chainable fixtures before adding power: 50

CONNECTION



MALE CONNECTOR



FEMALE CONNECTOR

USAGE GUIDELINES

- Compatible with a wide variety of control products including the entire line of Lutron dimming systems.
- Using Triac or MLV drivers and interface controllers (DMXINF models) is recommended.
- Using non-GENLED Acolyte[®] Triac, MLV, or ELV drivers is not supported or warranted.
- We reserve the right to make changes to product lineup, specifications, design and finishes at any time without notice.