

### ARMOR SERIES | NANO EXTERIOR LINEAR FIXTURES

The NANO Linear is the perfect fixture where minimal space and high output and beam control are needed. With 3 different options for lensing, 6 different options for color temperature and 3 different lengths, the NANO can be tailored for any application. An outdoor IP66 rated fixture, use it to highlight architectural details or navigate small ledges and locations where space is at a premium. Armor Series NANO fixtures come with 3-year warranty.



### GEL-FLUSH™ TECHNOLOGY

The NANO is now manufactured with our Gel-Flush™ Technology. This proprietary innovation prevents breaches from any weather-related elements. Acolyte exterior products are guaranteed to never leak, condensate, or be breached by any environmental elements. This results in a clear and unobstructed beam of light from our fixtures. No more water beads changing and/or refracting the specified beam angles!

### Applications:

Commercial      Museums  
 Entertainment      Public Spaces



### ORDERING GUIDE

Category	CRI	Wattage	Color Temperature		FWHM Beam Angle	Mounting Option
<b>NANO</b>						
<b>NANO - Armor Nano</b>	<b>80 - 80+ CRI</b>	<b>0.2 - 200 mm / 7.87 in. (3W)</b>	<b>27 - 2700K</b>	<b>40 - 4000K</b>	<b>25X35 - 25° X 35°</b>	<b>SI - Snap-In</b>
	<b>90 - 90+ CRI</b>	<b>0.5 - 500 mm / 19.7 in. (9W)</b>	<b>30 - 3000K</b>	<b>50 - 5000K</b>	<b>30 - 30°</b>	<b>TS - Tilttable Stand</b>
		<b>1.0 - 1000 mm / 39.4 in. (18W)</b>	<b>35 - 3500K</b>	<b>60 - 6000K</b>	<b>55 - 55°</b>	

### DRIVERS:

**96W Non-dimming Driver + Dimming Module**  
 (Use with 0-10V model)



Driver Part No.: DRVW2496  
 Dimming Module Part No.: LVDIMMOD0-10PWM

**60W & 96W Magnetic Driver**  
 (Use with Triac model)



60W Part No.: DRVWDIM2460  
 96W Part No.: DRVWDIM24100

**60W & 96W Universal ELV Drivers**  
 (Use with Triac model)



60W Part No.: DRVW2460ELV  
 96W Part No.: DRVW2496ELV

Note: The output of each dimming module is limited to 132W.

### OPTIONAL ACCESSORIES:

**1.) Armor Series Mounting Arms:**

Small: ARMORMNT0609  
 Large: ARMORMNT1422

**2.) Symmetric Louver:**

NANOLOUV185 (185mm)  
 NANOLOUV500 (500mm)  
 NANOLOUV1000 (1000mm)

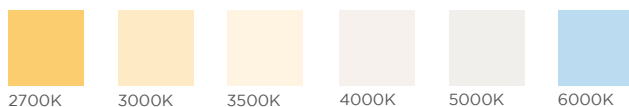
**3.) 2 Pin Male to Female Jumper Cable:**

NANOJUMPMF1000 (1000mm)  
 NANOJUMPMF2000 (2000mm)

**4.) 2 Pin Female Cable to Bare Wire:**

NANOCBLFB300 (300mm)  
 NANOCBLFB500 (500mm)  
 NANOCBLFB1000 (1000mm)  
 NANOCBLFB2000 (2000mm)

### AVAILABLE COLOR TEMPERATURES



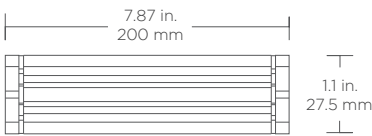
**SPECIFICATIONS**

Operating Voltage	24V DC								
Length	7.87 in. / 200 mm			19.7 in. / 500 mm			39.4 in. / 1000 mm		
Power Consumption	3 W			9 W			18 W		
LEDs per Fixture	6 LEDs			15 LEDs			30 LEDs		
Amperage	0.125 A			0.375 A			0.75 A		
Max. Run Length	Up to 14 fixtures			Up to 6 fixtures			Up to 4 fixtures		
Color Temperature	2700K, 3000K, 3500k, 4000K, 5000K, 6000K								
LED Beam Angle	30°	55°	25°x35°	30°	55°	25°x35°	30°	55°	25°x35°
Lumen Output / Foot	355	359	352	355	359	352	355	359	352
Total Lumens	212	214	210	582.3	588.7	577.1	1164.6	1177.4	1154.2
Max. Run Length	Up to 14 fixtures			Up to 6 fixtures			Up to 4 fixtures		
Weight	0.77 lb / 0.35kg			1.65 lb / 0.75kg			3.3 lb / 1.5kg		
Control System	0-10V, Dali								
CRI	80+ or 90+								
LED Binning (SDCM)	3-step (80 CRI) or 2-step (90 CRI)								
Dimming Options	0-10V, DALI								
Binning Tolerance	+/-100K								
Ambient Temperature	-40° F to 122° F (-40° C to 50° C)								
Housing / Lens	Housing: Extruded Aluminium / Lens: Clear UV Protected PMMA Cover: Tempered Glass End Caps: Extruded Aluminium / Brackets: Extruded Aluminium Housing, bracket, end cap material – 6063 high density aluminum alloy								
Connector	2 pin power connector								
Cable Length	11.81 in. / 300 mm								
Protection Rating	IP66								
Impact Rating	IK08								
Mounting Options	Snap-In Clip, Tilttable Stand (140° adjustable), Mounting Arms (available in 2 different sizes)								
Lamp Life	50,000 hours								
Certifications	CE, ETL / Luminaires – UL 1598, 3rd Ed., issued September 17, 2008, Rev. October 17, 2012 / Luminaires – CSA C22.2 No.250.0-08, 3rd Ed., issued September 17, 2008, Rev. October 17, 2012 (R2013)								
Fixture Color Finish	Anodized Silver								

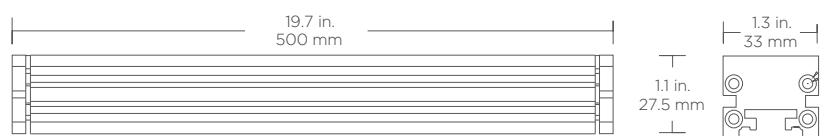
\* ALL LUMEN DATA IS FROM 2700K 80 CRI FIXTURES

**DIMENSIONS**

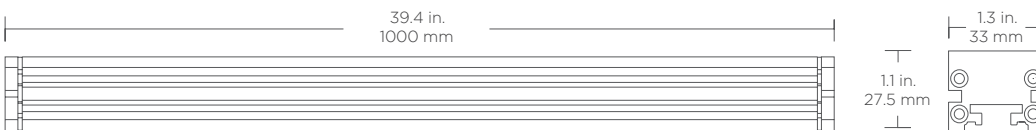
7.87 in. / 200 mm:



19.7 in. / 500 mm:



39.4 in. / 1000 mm:



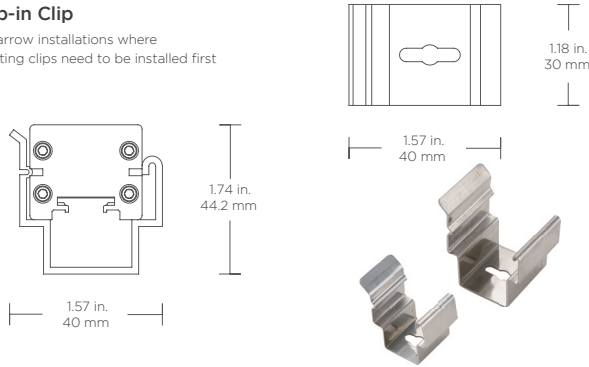
Acolyte does not warrant or represent that the information is free from errors or omission. The information may change without notice and Acolyte is not in any way liable for the accuracy of any information printed and stored or in any way interpreted or used.

**MOUNTING HARDWARE / ACCESSORIES**

**MOUNTING HARDWARE**

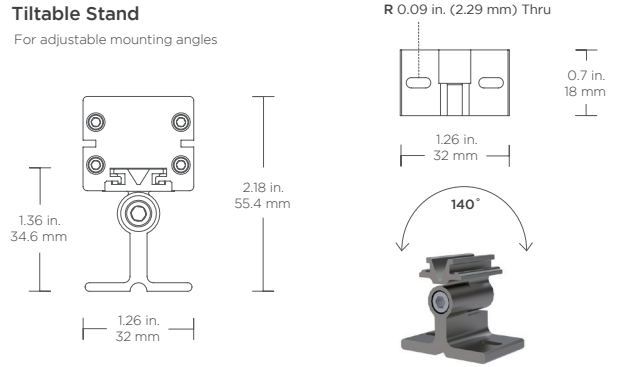
**Snap-in Clip**

For narrow installations where mounting clips need to be installed first



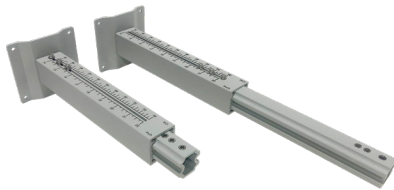
**Tilttable Stand**

For adjustable mounting angles



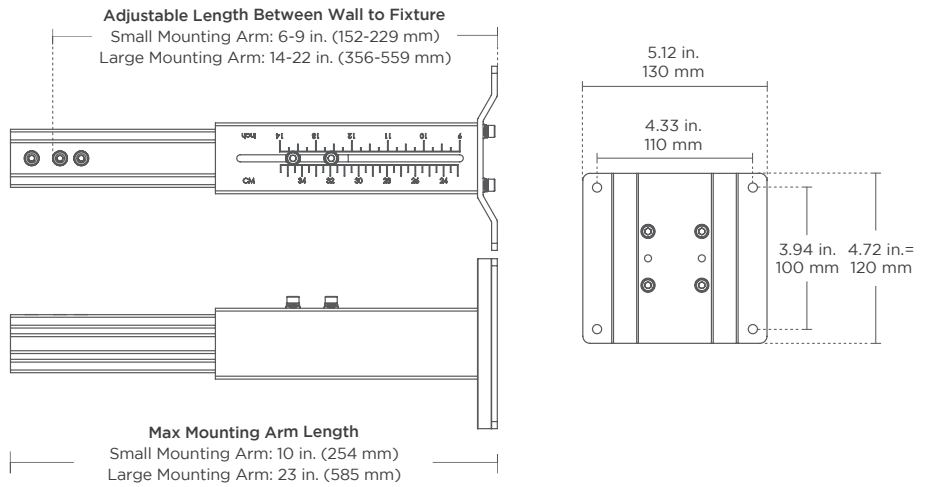
**Mounting Arms**

Small Mounting Arm Part Number: ARMORMNT0609  
Large Mounting Arm Part Number: ARMORMNT1422



**Armor Series Mounting Arm**

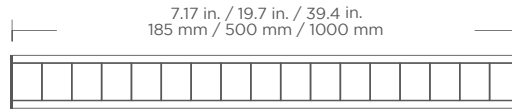
Adjustable mounts (in 3 sizes) help set desired angle and distance from lighting surface



**ACCESSORIES**

**Louver**

Part Number: NANOLOUV  
For glare reduction  
Note: This will affect beam angle  
NANOLOUV185 (185mm)  
NANOLOUV500 (500mm)  
NANOLOUV1000 (1000mm)



Not recommended for exterior applications

**2 Pin Female Cable To Bare Wire**

Part Number: NANOCBLFB  
To bare wire for incoming power  
NANOCBLFB300 (300mm)  
NANOCBLFB500 (500mm)  
NANOCBLFB1000 (1000mm)  
NANOCBLFB2000 (2000mm)



**2 Pin Male To Female Jumper Cable**

Part Number: NANOJUMPMF  
To connect 2 pin male connector to 2 pin female connector  
NANOJUMPMF1000 (1000mm)  
NANOJUMPMF2000 (2000mm)



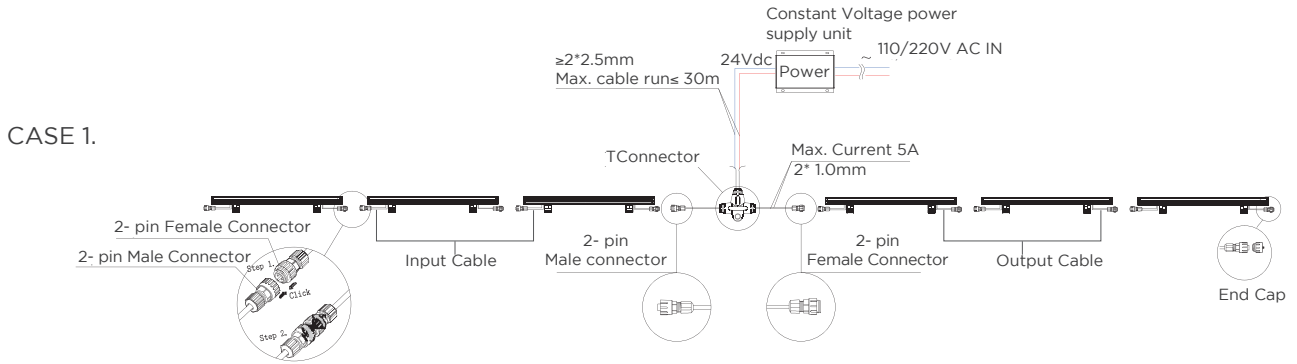
**INCLUDED IN BOX**



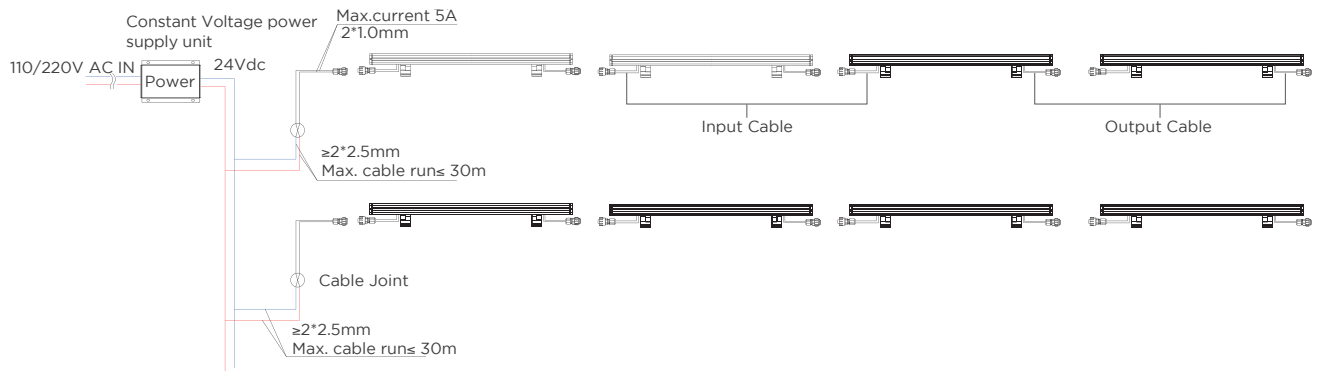
Fixture with 19.7 in. / 500mm input/output cables  
+ 2 pin connectors

WIRING DIAGRAMS

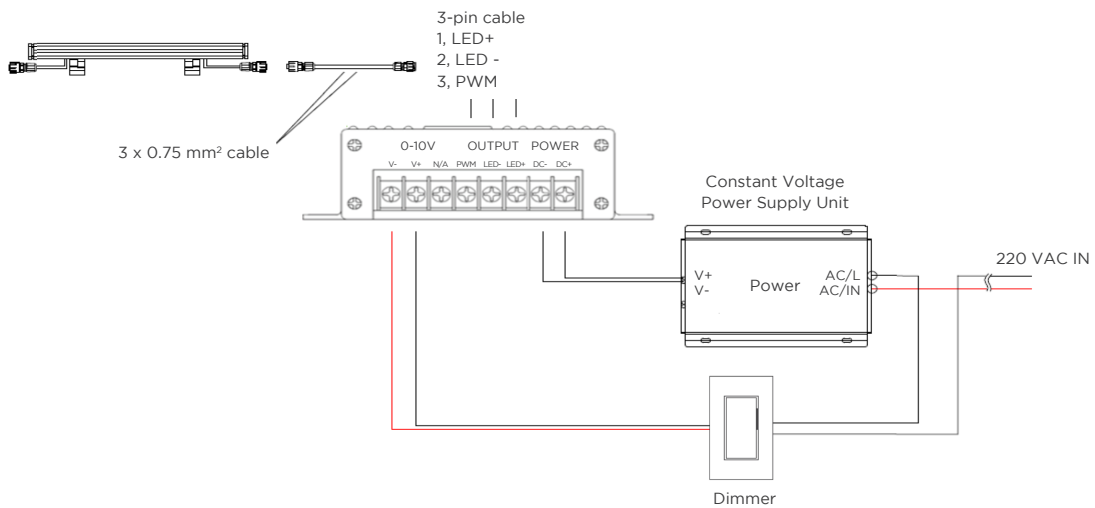
NON-DIMMING:



**CASE 2.**

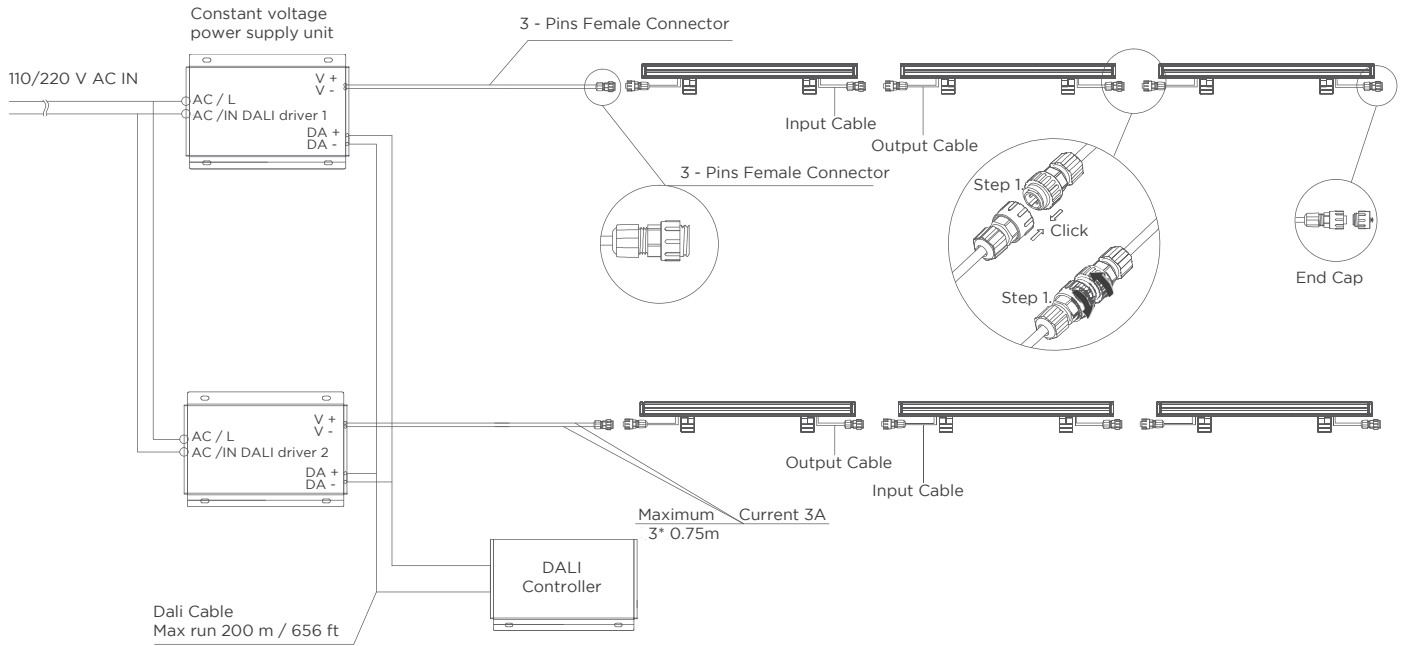


0-10V DIMMING:



CONNECTION

DALI DIMMING:



CONNECTORS:

