

ARMOR SERIES | NANO EXTERIOR LINEAR FIXTURES

The Nano Linear fixture is the perfect solution for projects that require high output and tight beam control in minimal space. With three premium optic lens options and three standard lengths, the sleek anodized Nano Linear features six brilliant dimmable CCTs (2700K-6000K) that can be tailored for any application. Use Nano Linear to highlight architectural details or navigate small ledges and locations where space is at a premium. Armor Series Nano Linear fixtures come with a three-year warranty.



GEL-FLUSH™ TECHNOLOGY

The Armor Series Nano Linear fixture is manufactured with GelFlush™ Technology. This proprietary innovation uses a special Dow Corning sealant to protect your lighting from the elements. With Acolyte's Armor Series, there's no leaking and no condensation -- just clear, unobstructed beams of light!

Applications:

- Commercial Museums
- Entertainment Public Spaces



ORDERING GUIDE

Category	CRI	Wattage	Color Temperature		FWHM Beam Angle	Mounting Option
NANO						
NANO - Armor Nano	80 - 80+ CRI	0.2 - 182 mm / 7.2 in. (3 W)	27 - 2700K	40 - 4000K	25X35 - 25° X 35°	SI - Snap-In
	90 - 90+ CRI	0.5 - 500 mm / 19.7 in. (9 W)	30 - 3000K	50 - 5000K	30 - 30°x30°	TS - Tilttable Stand
		1.0 - 1000 mm / 39.4 in. (18 W)	35 - 3500K	60 - 6000K	55 - 55°x55°	

OPTIONAL ACCESSORIES:

1.) Armor Series Mounting Arms:

- Small: ARMORMNT0609
- Large: ARMORMNT1422

2.) Symmetric Louver:

- NANOLOUV182 (182 mm)
- NANOLOUV500 (500 mm)
- NANOLOUV1000 (1000 mm)

3.) 2 Pin Male to Female Jumper Cable:

- NANOJUMPMF1000 (1000 mm)
- NANOJUMPMF2000 (2000 mm)

4.) 2 Pin Female Cable to Bare Wire:

- NANOCBLFB300 (300 mm)
- NANOCBLFB500 (500 mm)
- NANOCBLFB1000 (1000 mm)
- NANOCBLFB2000 (2000 mm)

DRIVERS:

96 W Non-dimming Driver



Driver Part No.: DRVW2496

0-10V Dimmable Waterproof Drivers



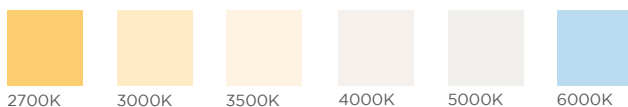
96W Part No.: DRVW249610P
288W Part No.: DRVW2428810P

ELV/MLV Dimmable Drivers

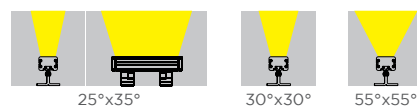


60W Part No.: DRVW2460ELVMLV
96W Part No.: DRVW2496ELVMLV
150W Part No.: DRVW24150ELVMLV
300W Part No.: DRVW24300ELVMLV

AVAILABLE COLOR TEMPERATURES



AVAILABLE BEAM ANGLES



SPECIFICATIONS

Operating Voltage	24 V DC								
Length	7.2 in. / 182 mm			19.7 in. / 500 mm			39.4 in. / 1000 mm		
Power Consumption	3 W			9 W			18 W		
LEDs per Fixture	6 LEDs			15 LEDs			30 LEDs		
Amperage	0.125 A			0.375 A			0.75 A		
Max. Run Length	Up to 14 fixtures			Up to 6 fixtures			Up to 4 fixtures		
Color Temperature	2700K, 3000K, 3500K, 4000K, 5000K, 6000K								
LED Beam Angle	30°x30°	55°x55°	25°x35°	30°x30°	55°x55°	25°x35°	30°x30°	55°x55°	25°x35°
Lumen Output / Foot	355	359	352	355	359	352	355	359	352
Total Lumens	212	214	210	582.3	588.7	577.1	1164.6	1177.4	1154.2
Max. Run Length	Up to 14 fixtures			Up to 6 fixtures			Up to 4 fixtures		
Weight	0.77 lb / 0.35kg			1.65 lb / 0.75kg			3.3 lb / 1.5kg		
Control System	0-10V, Dali								
CRI	80+ or 90+								
LED Binning (SDCM)	3-step (80 CRI) or 2-step (90 CRI)								
Dimming Options	0-10V, DALI								
Binning Tolerance	+/-100K								
Ambient Temperature	-40° F to 122° F (-40° C to 50° C)								
Housing / Lens	Housing: Extruded Aluminium / Lens: Clear UV Protected PMMA Cover: Tempered Glass End Caps: Extruded Aluminium / Brackets: Extruded Aluminium Housing, bracket, end cap material – 6063 high density aluminum alloy								
Connector	2 pin power connector								
Cable Length	11.81 in. / 300 mm								
Protection Rating	IP66								
Impact Rating	IK08								
Mounting Options	Snap-In Clip, Tilttable Stand (140° adjustable), Mounting Arms (available in 2 different sizes)								
Lamp Life	50,000 hours								
Certifications	CE, ETL / Luminaires – UL 1598, 3rd Ed., issued September 17, 2008, Rev. October 17, 2012 / Luminaires – CSA C22.2 No.250.0-08, 3rd Ed., issued September 17, 2008, Rev. October 17, 2012 (R2013)								
Fixture Color Finish	Anodized Silver								

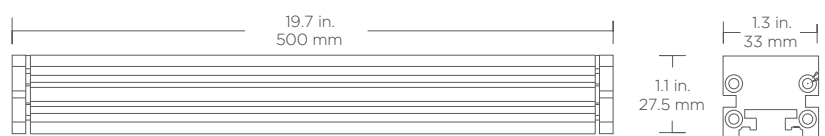
* ALL LUMEN DATA IS FROM 2700K 80 CRI FIXTURES

DIMENSIONS

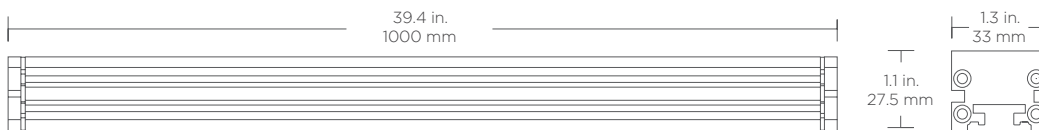
7.2 in. / 182 mm:



19.7 in. / 500 mm:



39.4 in. / 1000 mm:



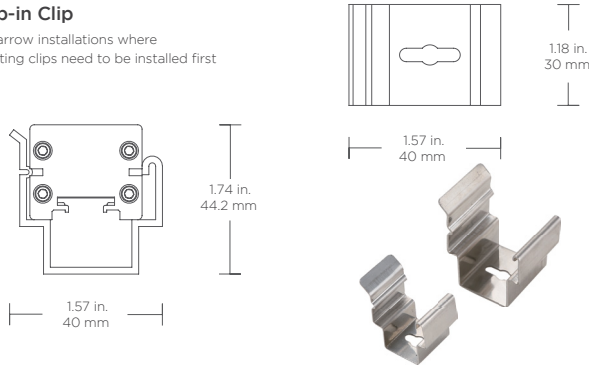
Acolyte does not warrant or represent that the information is free from errors or omission. The information may change without notice and Acolyte is not in any way liable for the accuracy of any information printed and stored or in any way interpreted or used.

MOUNTING HARDWARE / ACCESSORIES

MOUNTING HARDWARE

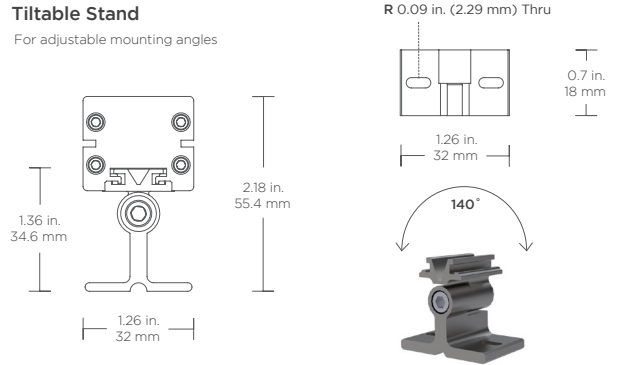
Snap-in Clip

For narrow installations where mounting clips need to be installed first



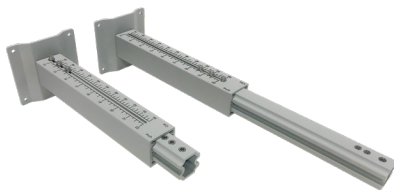
Tilttable Stand

For adjustable mounting angles



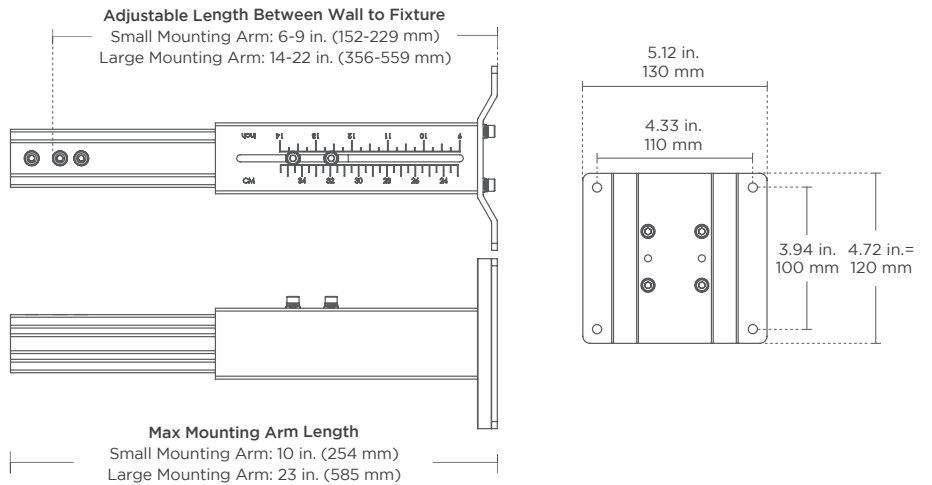
Mounting Arms

Small Mounting Arm Part Number: ARMORMNT0609
Large Mounting Arm Part Number: ARMORMNT1422



Armor Series Mounting Arm

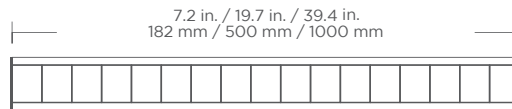
Adjustable mounts (in 3 sizes) help set desired angle and distance from lighting surface



ACCESSORIES

Louver

Part Number: NANOLOUV
For glare reduction
Note: This will affect beam angle
NANOLOUV182 (182 mm)
NANOLOUV500 (500 mm)
NANOLOUV1000 (1000 mm)



Side View

Not recommended for exterior applications

2 Pin Female Cable To Bare Wire

Part Number: NANOCBLFB

To bare wire for incoming power

- NANOCBLFB300 (300 mm)
- NANOCBLFB500 (500 mm)
- NANOCBLFB1000 (1000 mm)
- NANOCBLFB2000 (2000 mm)



2 Pin Male To Female Jumper Cable

Part Number: NANOJUMPMF

To connect 2 pin male connector to 2 pin female connector

- NANOJUMPMF1000 (1000 mm)
- NANOJUMPMF2000 (2000 mm)



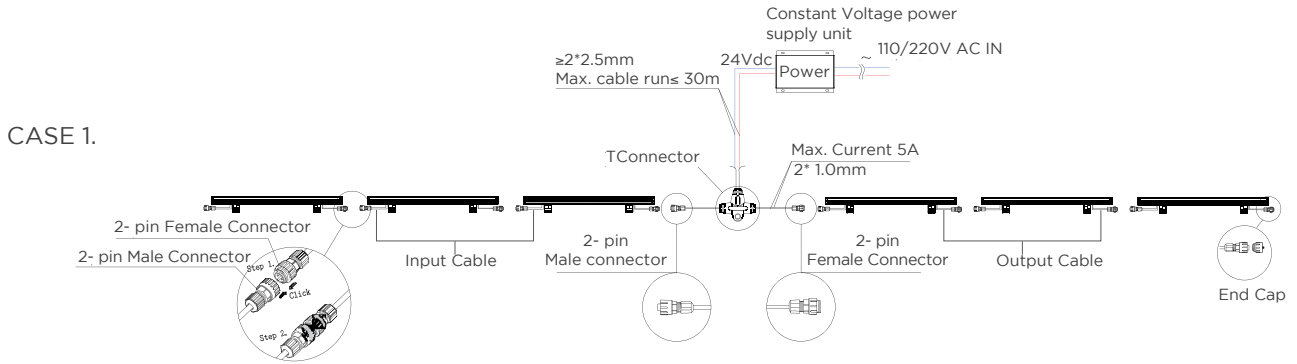
INCLUDED IN BOX



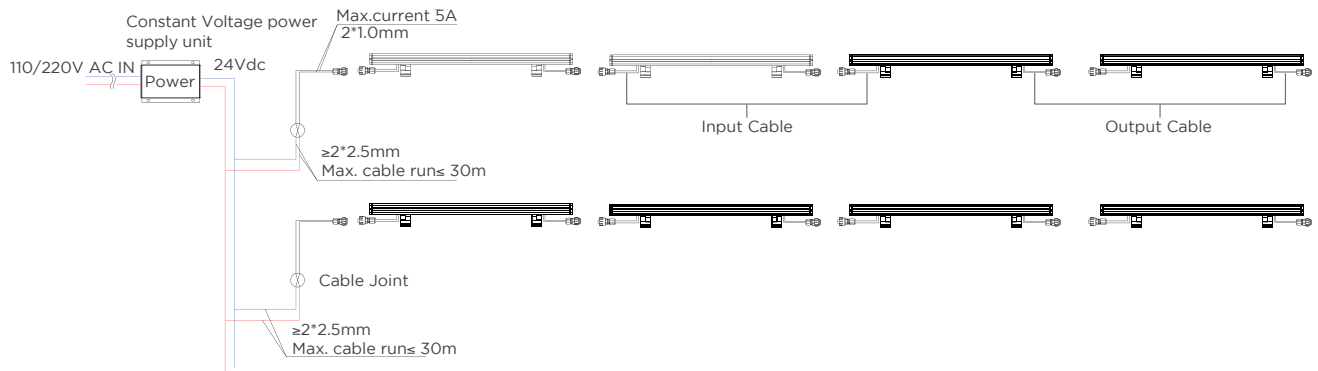
Fixture with 19.7 in. / 500mm input/output cables
+ 2 pin connectors

WIRING DIAGRAMS

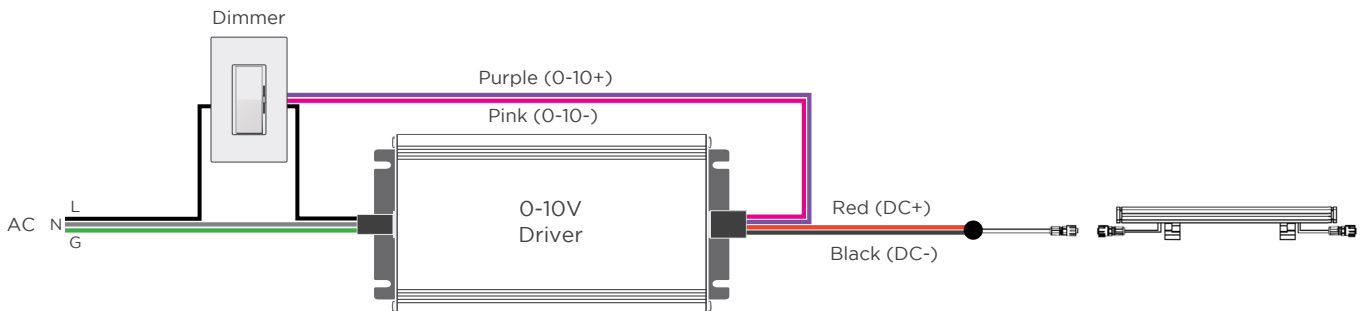
NON-DIMMING:



CASE 2.

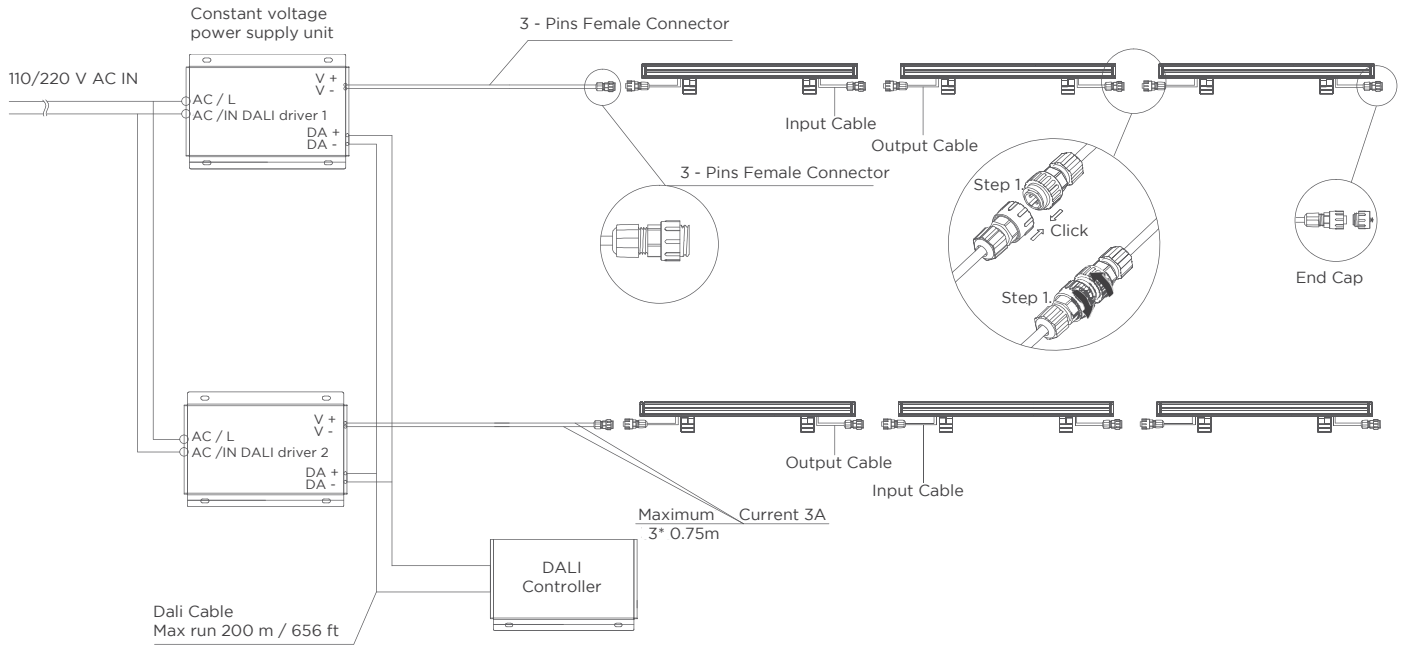


0-10V DIMMING:



CONNECTION

DALI DIMMING:



CONNECTORS:

