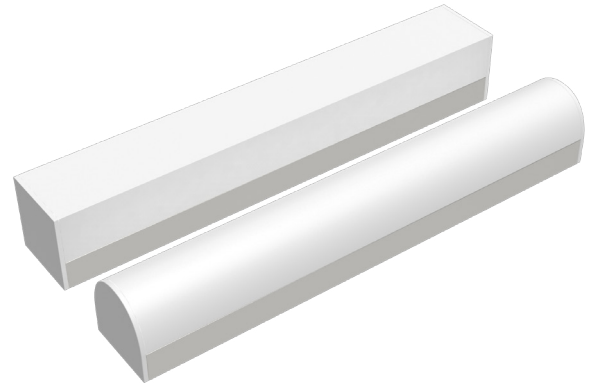


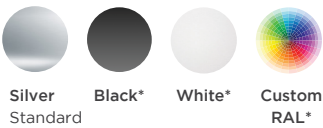
AS13 CHANNEL FIXTURE

The AS13 is a shallow aluminum surface mounted channel available with round milky or square milky lens. This sleek, wide channel mounts flush to the surface. Create a custom fixture with AS13, your choice of round milky or square milky lenses and our RibbonLyte products.

- Available for field assembly or factory assembly
- 1.31 in. (33.4 mm) wide by 1.29 in. (32.7 mm) deep with round lens, 1.37 in. (34.8 mm) deep with square lens
- Beam angles: 100x140° with Round Lens, 100x150° with Square Lens
- Wattage Range from 0.75 W/ft (2.46 W/m) to 12 W/ft (39.4 W/m)
- Static White delivered lumen range: 47 lm/ft (155 lm/m) up to 975 lm/ft (3199 lm/m)
- Round Milky Lens or Square Milky Lens
- For interior applications only

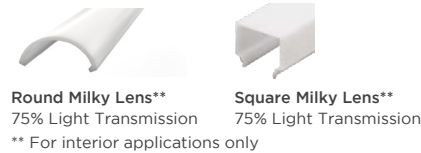


HOUSING FINISHES

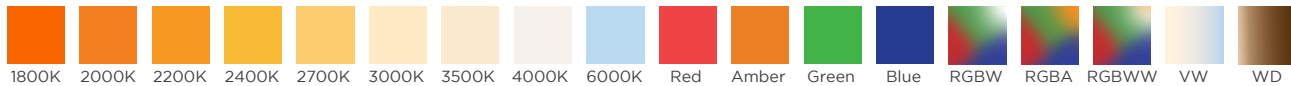


*Additional fee applies

LENS FINISHES



AVAILABLE COLORS & COLOR TEMPERATURES



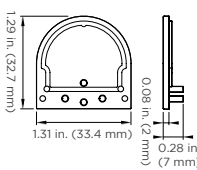
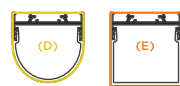
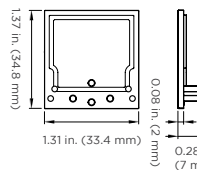
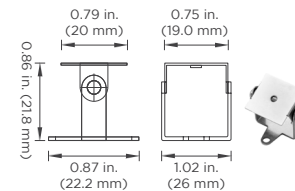
DIMENSIONS

| AS13 Channel | Mounting Clip (included accessory) |
|---|--|
| <p>Width: 1.31 in. (33.4 mm) Height: 1.29 in. (32.7 mm) Internal Width: 1.22 in. (31 mm) Internal Height: 1 in. (25.3 mm)</p> | <p>Width: 0.74 in. (18.8 mm) Length: 0.87 in. (22 mm)</p> |
| <p>Width: 1.31 in. (33.4 mm) Height: 1.37 in. (34.8 mm) Internal Width: 1.22 in. (31 mm) Internal Height: 1.07 in. (27.3 mm)</p> | |
| <p>Note:</p> <ol style="list-style-type: none"> 1. Raised lenses are for interior applications only 2. Magnetic mounting option available (see page 2) | |

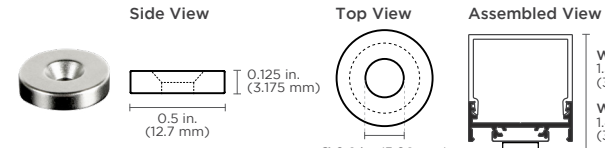
SPECIFICATIONS

| | |
|-------------------------------|--|
| Beam Angle | 100x140° with Round Milky Lens, 100x150° with Square Milky Lens |
| Lens Type | Round Milky Lens, Square Milky Lens |
| Length | Channel is sold by the foot and cut to your exact desired length. Required amount of mounting clips included. |
| Operating Voltage | 24 V |
| Dimming | MLV / 0-10 Volt / ELV / DALI / DMX |
| Operating Temperature | -40 – 158 °F (-40 – 70 °C) |
| Colors | 1800K, 2000K, 2200K, 2400K, 2700K, 3000K, 3500K, 4000K, 6000K, Red, Amber, Green, Blue, RGBA, RGBW, RGBWW, VW, RGBW Addressable, Warm Dim (1800K, 2000K, 2200K only available in IP20) |
| CRI | 90+ CRI (Static white only) |
| Lamp Life | L70 at 50,000 hours |
| MacAdam ellipse (SDCM) | 2-Step Binning (For Static White LEDs only) |
| Certifications | UL Listed UL 2108 Issued: 2004/02/27 Ed: 1 Rev: 2014/02/24 Low Voltage Lighting Systems CSA C22.2#9.0 Issued: 1996/06/01 Ed: 1 (R2011) General Requirements for Luminaries; with Gen. Inst. 1: 1997, Gen Inst. 2: 1998. ROHS compliant |

ACCESSORIES (SEE PART NUMBERS AT STEP 4 ON PAGE 3)

| | | |
|--|--|--|
| <p>End Cap (D) for channel with Round Lens</p>  <p>End Cap options when using channel with Round Lens or Square Lens:</p> <ol style="list-style-type: none"> Use End Cap (D) for channel with Round Lens Use End Cap (E) for channel with Square Lens  | <p>End Cap (E) for channel with Square Lens</p>  | <p>Tiltable Stand</p>  <p>Assembled Height with channel & Round Lens: 2.15 in. (54.5 mm) Assembled Height with channel & Square Lens: 2.23 in. (56.6 mm)</p> |
|--|--|--|

Magnetic Mount (Part #: CHMAGO.5)



Features:

- High-energy neodymium magnets come attached to mounting clips with countersink hex nuts
- Create easy-mount magnetic channels with minimal surface gaps; no tools or drilling necessary
- Magnets rated for 8 lbs. of pull force with static load

Applications:

- Industrial lighting retrofits for troffers and other metal fixtures
- Metal retail shelf lighting
- Temporary light fixture installations

Acolyte does not warrant or represent that the information is free from errors or omission. The information may change without notice and Acolyte is not in any way liable for the accuracy of any information printed and stored or in any way interpreted or used.

ORDERING GUIDE

STEP 1 Complete Channel Part Number

| CHANNEL | LENS | HOUSING COLOR | END CAPS |
|-----------------------|---|---|---|
| CHAS13 | | | |
| CHAS13 - AS13 Channel | RM - Round Milky Lens* SM - Square Milky Lens* * For interior applications only | SV - Silver (standard) BK - Black WH - White Consult factory for custom colors | D - End Cap for channel with Round Milky Lens E - End Cap for channel with Square Milky Lens |

STEP 2 Complete RibbonLyte Part Number

| CATEGORY | CRI | RIBBON TYPE & IP RATING | | |
|-----------------|---|--|--|---|
| RB | | | | |
| RB - RibbonLyte | 0 - Static Color, Color Changing 90 - 90+ CRI Static White | LINEA20 - Linea RibbonLyte IP20 SWS220 - Static White Series 2 IP20 SWS265 - Static White Series 2 IP65 SWS268 - Static White Series 2 IP68 SWDR20 - Static White Double Row IP20 SCS220 - Static Color Series 2 IP20 SCS265 - Static Color Series 2 IP65 SCS268 - Static Color Series 2 IP68 | RGBWW20 - RGBWW 5-in-1 IP20 RGBWS220 - RGBW Series 2 IP20 RGBWS265 - RGBW Series 2 IP65 RGBWS268 - RGBW Series 2 IP68 RGBWADD - Addressable RGBW IP67 RGBWADR20 - RGBW/A Double Row IP20 VWDR20 - Variable White Double Row IP20 | VWS220 - VW Series 2 IP20 VWS265 - VW Series 2 IP65 VWS268 - VW Series 2 IP68 WD20 - Warm Dim IP20 WD65 - Warm Dim IP65 WD68 - Warm Dim IP68 |

NOTE: To ensure waterproofing standards are met, IP65, IP67, and IP68 RibbonLyte can NOT be cut in the field.

WATTAGE

- 0.75 - 0.75 W/ft (2.46 W/m - Static White, Static Color)
- 1.0 - 1.0 W/ft (3.3 W/m - Variable White)
- 1.5 - 1.5 W/ft (4.9 W/m - Static White, Static Color)
- 2.2 - 2.2 W/ft (7.2 W/m - Static White, Static Color)
- 2.4 - 2.4 W/ft (8 W/m - Static White Linea)
- 3.0 - 3.0 W/ft (9.8 W/m - Static White, Static Color, Variable White, RGBW, RGBA)
- 4.3 - 4.3 W/ft (14 W/m - Static White Linea)
- 4.4 - 4.4 W/ft (14.4 W/m - Static White, Static Color, RGBW, RGBWW,, RGBA)
- 5.0 - 5.0 W/ft (16.4 W/m - Static White, Static Color)
- 5.2 - 5.2 W/ft (17.1 W/m - Warm Dim)
- 5.5 - 5.5 W/ft (18.0 W/m - RGBW, RGBA)
- 6.0 - 6.0 W/ft (19.7 W/m - Static White, Static Color, Variable White, RGBW, RGBA, RGBW Addressable)
- 6.1 - 6.1 W/ft (20 W/m - Variable White Linea)
- 8.8 - 8.8 W/ft (28.9 W/m - RGBW, RGBWW, RGBA)
- 12.0 - 12.0 W/ft (39.4 W/m - Static White, Variable White, RGBW, RGBA)

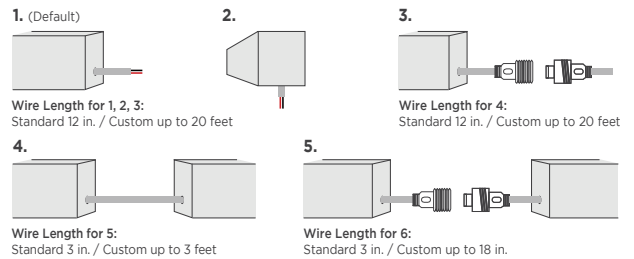
COLOR

- 18 - 1800K
 - 20 - 2000K
 - 22 - 2200K
 - 24 - 2400K
 - 27 - 2700K
 - 30 - 3000K
 - 35 - 3500K
 - 40 - 4000K
 - 60 - 6000K
 - R - Red
 - A - Amber
 - G - Green
 - B - Blue
 - VW - Variable White
 - RGB27 - Red, Green, Blue + 2700K
 - RGB30 - Red, Green, Blue + 3000K
 - RGB40 - Red, Green, Blue + 4000K
 - RGB2465 - Red, Green, Blue + 2400K + 6500K
 - RGBA - Red, Green, Blue + Amber
 - RGBW30 - RGB + 3000K Addressable
 - RGBW40 - RGB + 4000K Addressable
 - RGBW60 - RGB + 6000K Addressable
 - 2920 - Warm Dim 2900K - 2000K (IP20)
 - 2721 - Warm Dim 2700K - 2100K (IP65+IP68)
 - Z - Undecided**
- ** For quotes only. Must be chosen before final order.

CONNECTION OPTIONS (See diagrams on the right)

Custom Length (ft.)

- 1 - End Feed Bare Wire Connection
- 2 - Back Feed Bare Wire Connection
- 3 - End Feed with IP67 Male Coupler
- 4 - Soldered Daisy Chain
- 5 - Daisy Chain With IP67 Couplers



STEP 3 Complete Assembly Option & Length

ASSEMBLY OPTION LENGTH (Standard factory assembled length up to 6 ft 6.7 in. / 2 m)

- FI - Field Assembly
- FA - Factory Assembly*

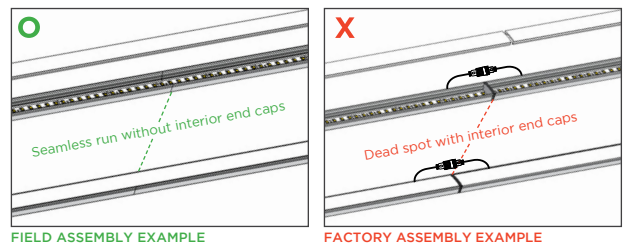
* Factory assembled runs exceeding 6 ft 6.7 in. (2 m) will be split into multiple daisy chained fixtures.

STEP 4 Add Accessories

ACCESSORIES

- TILTSTANDST - Tiltable Stand
- CHMAG0.5 - Magnetic Mount

DO NOT BUTT END CAPS AGAINST EACH OTHER WHEN CREATING LONGER FIXTURES
Acolyte STRONGLY SUGGESTS field assembly (without using interior end caps) for direct-view fixtures of more than 6 ft 6.7 in. (2 m) in length. Field assembly without interior end caps will eliminate gaps or dead spots that can be caused by butting interior end caps against each other.



RIBBONLYTE SPECIFICATIONS & COMPATIBILITY

| Available Wattage | Cutttable Length | LED Pitch | Color Temp. | lm/W without Lens | Delivered Lumens with Round Milky Lens (lm/ft / lm/m) | Delivered Lumens with Square Milky Lens (lm/ft / lm/m) | Max Length | Compatible with Channel | | |
|----------------------------|-------------------|-------------------------|-------------|-------------------|---|--|---|-------------------------|------|------|
| | | | | | | | | IP20 | IP65 | IP68 |
| 0.75 Static White Series 2 | 1.97 in. (50 mm) | 48 LEDs/ft (160 LEDs/m) | 1800K | 84 | 47 / 155 | 47 / 155 | IP20: 49 ft (15 m) IP65/IP68: 32.8 ft (10 m) | ✓ | ✓ | ✓ |
| | | | 2000K | 99 | 56 / 183 | 56 / 183 | | | | |
| | | | 2200K | 109 | 61 / 201 | 61 / 201 | | | | |
| | | | 2400K | 113 | 64 / 209 | 64 / 209 | | | | |
| | | | 2700K | 123 | 69 / 227 | 69 / 227 | | | | |
| | | | 3000K | 123 | 69 / 227 | 69 / 227 | | | | |
| | | | 3500K | 130 | 73 / 240 | 73 / 240 | | | | |
| | | | 4000K | 134 | 75 / 247 | 75 / 247 | | | | |
| | | | 6000K | 131 | 74 / 242 | 74 / 242 | | | | |
| 1.5 Static White Series 2 | 1.97 in. (50 mm) | 48 LEDs/ft (160 LEDs/m) | 1800K | 84 | 95 / 310 | 95 / 310 | IP20: 49 ft (15 m) IP65/IP68: 32.8 ft (10 m) | ✓ | ✓ | ✓ |
| | | | 2000K | 98 | 110 / 362 | 110 / 362 | | | | |
| | | | 2200K | 109 | 123 / 402 | 123 / 402 | | | | |
| | | | 2400K | 113 | 127 / 417 | 127 / 417 | | | | |
| | | | 2700K | 123 | 138 / 454 | 138 / 454 | | | | |
| | | | 3000K | 123 | 138 / 454 | 138 / 454 | | | | |
| | | | 3500K | 129 | 145 / 476 | 145 / 476 | | | | |
| | | | 4000K | 134 | 151 / 495 | 151 / 495 | | | | |
| | | | 6000K | 131 | 147 / 484 | 147 / 484 | | | | |
| 2.2 Static White Series 2 | 1.97 in. (50 mm) | 48 LEDs/ft (160 LEDs/m) | 1800K | 83 | 137 / 449 | 137 / 449 | IP20: 42 ft (12.8 m) IP65/IP68: 32.8 ft (10 m) | ✓ | ✓ | ✓ |
| | | | 2000K | 96 | 158 / 520 | 158 / 520 | | | | |
| | | | 2200K | 106 | 175 / 574 | 175 / 574 | | | | |
| | | | 2400K | 111 | 183 / 601 | 183 / 601 | | | | |
| | | | 2700K | 120 | 198 / 650 | 198 / 650 | | | | |
| | | | 3000K | 122 | 201 / 660 | 201 / 660 | | | | |
| | | | 3500K | 127 | 210 / 687 | 210 / 687 | | | | |
| | | | 4000K | 133 | 219 / 720 | 219 / 720 | | | | |
| | | | 6000K | 128 | 211 / 693 | 211 / 693 | | | | |
| 3.0 Static White Series 2 | 1.97 in. (50 mm) | 48 LEDs/ft (160 LEDs/m) | 1800K | 84 | 189 / 620 | 189 / 620 | IP20: 36 ft (11 m) IP65/IP68: 32.8 ft (10 m) | ✓ | ✓ | ✓ |
| | | | 2000K | 98 | 221 / 723 | 221 / 723 | | | | |
| | | | 2200K | 108 | 243 / 797 | 243 / 797 | | | | |
| | | | 2400K | 109.8 | 247 / 811 | 247 / 811 | | | | |
| | | | 2700K | 122.9 | 277 / 907 | 277 / 907 | | | | |
| | | | 3000K | 130 | 293 / 960 | 293 / 960 | | | | |
| | | | 3500K | 133 | 299 / 982 | 299 / 982 | | | | |
| | | | 4000K | 133 | 299 / 982 | 299 / 982 | | | | |
| | | | 6000K | 128 | 288 / 945 | 288 / 945 | | | | |
| 4.4 Static White Series 2 | 1.97 in. (50 mm) | 48 LEDs/ft (160 LEDs/m) | 1800K | 81 | 267 / 877 | 267 / 877 | 28 ft 4 in. (8.64 m) | ✓ | ✓ | ✓ |
| | | | 2000K | 95 | 314 / 1029 | 314 / 1029 | | | | |
| | | | 2200K | 105 | 347 / 1137 | 347 / 1137 | | | | |
| | | | 2400K | 109 | 360 / 1180 | 360 / 1180 | | | | |
| | | | 2700K | 122 | 403 / 1321 | 403 / 1321 | | | | |
| | | | 3000K | 129 | 426 / 1397 | 426 / 1397 | | | | |
| | | | 3500K | 132 | 436 / 1429 | 436 / 1429 | | | | |
| | | | 4000K | 132 | 436 / 1429 | 436 / 1429 | | | | |
| | | | 6000K | 126 | 416 / 1364 | 416 / 1364 | | | | |
| 5.0 Static White Series 2 | 1.4 in. (35.7 mm) | 68 LEDs/ft (224 LEDs/m) | 1800K | 83 | 311 / 1021 | 311 / 1021 | IP20: 33 ft 4 in. (10.1 m) IP65/IP68: 32.8 ft (10 m) | ✓ | ✓ | ✓ |
| | | | 2000K | 98 | 368 / 1206 | 368 / 1206 | | | | |
| | | | 2200K | 107 | 401 / 1316 | 401 / 1316 | | | | |
| | | | 2400K | 110 | 412 / 1351 | 412 / 1351 | | | | |
| | | | 2700K | 123 | 461 / 1512 | 461 / 1512 | | | | |
| | | | 3000K | 130 | 488 / 1599 | 488 / 1599 | | | | |
| | | | 3500K | 133 | 499 / 1636 | 499 / 1636 | | | | |
| | | | 4000K | 133 | 499 / 1636 | 499 / 1636 | | | | |
| | | | 6000K | 127 | 476 / 1562 | 476 / 1562 | | | | |
| 6.0 Static White Series 2 | 1.4 in. (35.7 mm) | 68 LEDs/ft (224 LEDs/m) | 1800K | 82 | 369 / 1211 | 369 / 1211 | 28 ft (8.5 m) | ✓ | ✓ | ✓ |
| | | | 2000K | 95 | 428 / 1403 | 428 / 1403 | | | | |
| | | | 2200K | 106 | 477 / 1565 | 477 / 1565 | | | | |
| | | | 2400K | 109 | 491 / 1609 | 491 / 1609 | | | | |
| | | | 2700K | 122 | 549 / 1801 | 549 / 1801 | | | | |
| | | | 3000K | 129 | 581 / 1905 | 581 / 1905 | | | | |
| | | | 3500K | 132 | 594 / 1949 | 594 / 1949 | | | | |
| | | | 4000K | 132 | 594 / 1949 | 594 / 1949 | | | | |
| | | | 6000K | 126 | 567 / 1860 | 567 / 1860 | | | | |

RIBBONLYTE SPECIFICATIONS & COMPATIBILITY

| Available Wattages | Cuttable Length | LED Pitch | Color Temp. | lm/W without Lens | Delivered Lumens with Round Milky Lens (lm/ft / lm/m) | Delivered Lumens with Square Milky Lens (lm/ft / lm/m) | Max Length | Compatible with Channel | | |
|------------------------------|-------------------|--------------------------|-----------------------------|-------------------|---|--|--|-------------------------|------------|-------------------|
| | | | | | | | | IP20 | IP65 | IP68 |
| 3.0 Static White Double Row | 0.7 in. (17.9 mm) | 136 LEDs/ft (448 LEDs/m) | 1800K | 73 | 158 / 518 | 158 / 518 | 65 ft 7 in. (20 m) | ✓ | N/A | N/A |
| | | | 2000K | 86 | 186 / 612 | 186 / 612 | | | | |
| | | | 2200K | 94 | 204 / 668 | 204 / 668 | | | | |
| | | | 2400K | 97 | 209 / 686 | 209 / 686 | | | | |
| | | | 2700K | 109 | 236 / 774 | 236 / 774 | | | | |
| | | | 3000K | 118 | 255 / 836 | 255 / 836 | | | | |
| | | | 3500K | 119 | 257 / 843 | 257 / 843 | | | | |
| | | | 4000K | 118 | 255 / 836 | 255 / 836 | | | | |
| | | | 6000K | 114 | 247 / 811 | 247 / 811 | | | | |
| | | | 6.0 Static White Double Row | 0.7 in. (17.9 mm) | 136 LEDs/ft (448 LEDs/m) | 1800K | | | | |
| 2000K | 86 | 373 / 1223 | | | | 373 / 1223 | | | | |
| 2200K | 94 | 407 / 1336 | | | | 407 / 1336 | | | | |
| 2400K | 97 | 418 / 1373 | | | | 418 / 1373 | | | | |
| 2700K | 109 | 472 / 1548 | | | | 472 / 1548 | | | | |
| 3000K | 118 | 510 / 1673 | | | | 510 / 1673 | | | | |
| 3500K | 119 | 514 / 1685 | | | | 514 / 1685 | | | | |
| 4000K | 118 | 510 / 1673 | | | | 510 / 1673 | | | | |
| 6000K | 114 | 495 / 1623 | | | | 495 / 1623 | | | | |
| 12.0 Static White Double Row | 0.7 in. (17.9 mm) | 136 LEDs/ft (448 LEDs/m) | | | | 1800K | 69 | 599 / 1967 | 599 / 1967 | 26 ft 3 in. (8 m) |
| | | | 2000K | 82 | 708 / 2322 | 708 / 2322 | | | | |
| | | | 2200K | 89 | 773 / 2535 | 773 / 2535 | | | | |
| | | | 2400K | 92 | 794 / 2606 | 794 / 2606 | | | | |
| | | | 2700K | 104 | 895 / 2938 | 895 / 2938 | | | | |
| | | | 3000K | 112 | 968 / 3175 | 968 / 3175 | | | | |
| | | | 3500K | 113 | 975 / 3199 | 975 / 3199 | | | | |
| | | | 4000K | 112 | 968 / 3175 | 968 / 3175 | | | | |
| | | | 6000K | 109 | 939 / 3080 | 939 / 3080 | | | | |
| | | | 0.75 Static Color Series 2 | 1.97 in. (50 mm) | 48 LEDs/ft (160 LEDs/m) | Red | 41 | 23 / 76 | 23 / 76 | |
| Green | 175 | 98 / 323 | | | | 98 / 323 | | | | |
| Blue | 19 | 11 / 35 | | | | 11 / 35 | | | | |
| Amber | 34 | 19 / 63 | | | | 19 / 63 | | | | |
| 1.5 Static Color Series 2 | 1.97 in. (50 mm) | 48 LEDs/ft (160 LEDs/m) | Red | 42 | 47 / 155 | 47 / 155 | IP20: 49 ft (15 m) IP65/ IP68: 32.8 ft (10 m) | ✓ | ✓ | ✓ |
| | | | Green | 160 | 180 / 591 | 180 / 591 | | | | |
| | | | Blue | 18 | 20 / 66 | 20 / 66 | | | | |
| | | | Amber | 34 | 38 / 125 | 38 / 125 | | | | |
| 2.2 Static Color Series 2 | 1.97 in. (50 mm) | 48 LEDs/ft (160 LEDs/m) | Red | 42 | 69 / 227 | 69 / 227 | IP20: 42 ft (12.8 m) IP65/ IP68: 32.8 ft (10 m) | ✓ | ✓ | ✓ |
| | | | Green | 145 | 239 / 785 | 239 / 785 | | | | |
| | | | Blue | 18 | 30 / 97 | 30 / 97 | | | | |
| | | | Amber | 34 | 56 / 184 | 56 / 184 | | | | |
| 3.0 Static Color Series 2 | 1.97 in. (50 mm) | 48 LEDs/ft (160 LEDs/m) | Red | 40 | 90 / 295 | 90 / 295 | 32.8 ft (10 m) | ✓ | ✓ | ✓ |
| | | | Green | 127 | 286 / 937 | 286 / 937 | | | | |
| | | | Blue | 25 | 56 / 185 | 56 / 185 | | | | |
| | | | Amber | 29 | 65 / 214 | 65 / 214 | | | | |
| 4.4 Static Color Series 2 | 1.97 in. (50 mm) | 48 LEDs/ft (160 LEDs/m) | Red | 38 | 125 / 411 | 125 / 411 | 29 ft (8.8 m) | ✓ | ✓ | ✓ |
| | | | Green | 117 | 386 / 1267 | 386 / 1267 | | | | |
| | | | Blue | 24 | 79 / 260 | 79 / 260 | | | | |
| | | | Amber | 25 | 83 / 271 | 83 / 271 | | | | |

RIBBONLYTE SPECIFICATIONS & COMPATIBILITY

| Available Wattages | Cuttable Length | LED Pitch | Color Temp. | lm/W without Lens | Delivered Lumens with Round Milky Lens (lm/ft / lm/m) | Delivered Lumens with Square Milky Lens (lm/ft / lm/m) | Max Length | Compatible with Channel | | |
|--------------------------------|---------------------|--------------------------|---------------|-------------------|---|--|---------------------|-------------------------|------|------|
| | | | | | | | | IP20 | IP65 | IP68 |
| 5.0 Static Color Series 2 | 1.4 in. (35.7 mm) | 68 LEDs/ft (224 LEDs/m) | Red | 37 | 139 / 455 | 139 / 455 | 30 ft (9.14 m) | ✓ | ✓ | ✓ |
| | | | Green | 116 | 435 / 1427 | 435 / 1427 | | | | |
| | | | Blue | 24 | 90 / 295 | 90 / 295 | | | | |
| | | | Amber | 26 | 98 / 320 | 98 / 320 | | | | |
| 6.0 Static Color Series 2 | 1.4 in. (35.7 mm) | 68 LEDs/ft (224 LEDs/m) | Red | 37 | 167 / 546 | 167 / 546 | 28 ft (8.5 m) | ✓ | ✓ | ✓ |
| | | | Green | 113 | 509 / 1668 | 509 / 1668 | | | | |
| | | | Blue | 23 | 104 / 340 | 104 / 340 | | | | |
| | | | Amber | 24 | 108 / 354 | 108 / 354 | | | | |
| 2.4 Static White Linea | 1.97 in. (50 mm) | 146 LEDs/ft (480 LEDs/m) | 2700K | 67 | 120.8 / 396 | 120.8 / 396 | 21.3 ft (6.5 m) | ✓ | N/A | N/A |
| | | | 3000K | 71 | 127.5 / 419.3 | 127.5 / 419.3 | | | | |
| | | | 3500K | 83 | 149.3 / 490.5 | 149.3 / 490.5 | | | | |
| | | | 4000K | 83 | 149.3 / 490.5 | 149.3 / 490.5 | | | | |
| 3.0 Static White Linea | 1.97 in. (50 mm) | 146 LEDs/ft (480 LEDs/m) | 2700K | 66 | 148.5 / 487.5 | 148.5 / 487.5 | 21.3 ft (6.5 m) | ✓ | N/A | N/A |
| | | | 3000K | 73 | 164.3 / 539.3 | 164.3 / 539.3 | | | | |
| | | | 3500K | 78 | 175.5 / 576 | 175.5 / 576 | | | | |
| | | | 4000K | 83 | 186.8 / 612.8 | 186.8 / 612.8 | | | | |
| 4.3 Static White Linea | 1.97 in. (50 mm) | 146 LEDs/ft (480 LEDs/m) | 2700K | 75 | 242.3 / 793.5 | 242.3 / 793.5 | 24.6 ft (7.5 m) | ✓ | N/A | N/A |
| | | | 3000K | 78 | 251.3 / 825 | 251.3 / 825 | | | | |
| | | | 3500K | 86 | 277.5 / 910.5 | 277.5 / 910.5 | | | | |
| | | | 4000K | 86 | 277.5 / 910.5 | 277.5 / 910.5 | | | | |
| 6.1 Variable White Linea | 1.09 in. (27.78 mm) | 175 LEDs/ft (576 LEDs/m) | 2700K + 6500K | 95 | 435 / 1427.3 | 435 / 1427.3 | 16.4 ft (5 m) | ✓ | N/A | N/A |
| 1.0 Variable White Series 2 | 1.97 in. (50 mm) | 42 LEDs/ft (140 LEDs/m) | 2000K + 6500K | 85 | 64 / 209 | 64 / 209 | 32.8 ft (10 m) | ✓ | ✓ | ✓ |
| 3.0 Variable White Series 2 | 1.97 in. (50 mm) | 42 LEDs/ft (140 LEDs/m) | 2000K + 6500K | 80 | 180 / 591 | 180 / 591 | 32.8 ft (10 m) | ✓ | ✓ | ✓ |
| 6.0 Variable White Series 2 | 1.97 in. (50 mm) | 42 LEDs/ft (140 LEDs/m) | 2000K + 6500K | 75 | 337.5 / 1107 | 337.5 / 1107 | 19 ft 8 in. (6 m) | ✓ | ✓ | ✓ |
| 3.0 Variable White Double Row | 1.97 in. (50 mm) | 84 LEDs/ft (280 LEDs/m) | 2000K + 6500K | 87 | 188 / 617 | 188 / 617 | 65 ft 7 in. (20 m) | ✓ | N/A | N/A |
| 6.0 Variable White Double Row | 1.97 in. (50 mm) | 84 LEDs/ft (280 LEDs/m) | 2000K + 6500K | 82 | 354 / 1162 | 354 / 1162 | 45 ft 11 in. (14 m) | ✓ | N/A | N/A |
| 12.0 Variable White Double Row | 1.97 in. (50 mm) | 84 LEDs/ft (280 LEDs/m) | 2000K + 6500K | 71 | 613 / 2013 | 613 / 2013 | 22 ft 11 in. (7 m) | ✓ | N/A | N/A |

RIBBONLYTE SPECIFICATIONS & COMPATIBILITY

| Available Wattages | Cuttable Length | LED Pitch | Color Temp. | lm/W without Lens | Delivered Lumens with Round Milky Lens (lm/ft / lm/m) | Delivered Lumens with Square Milky Lens (lm/ft / lm/m) | Max Length | Compatible with Channel | | |
|----------------------|--------------------|-------------------------|-------------|-------------------|---|--|--|-------------------------|------|--------|
| | | | | | | | | IP20 | IP65 | IP68 |
| 4.4 RGBW Series 2 | 1.97 in. (50 mm) | 36 LEDs/ft (120 LEDs/m) | RGBW | 45 | 138.6 / 454.7 | 138.6 / 454.7 | 19 ft 8 in. (6 m) | ✓ | N/A | N/A |
| 5.5 RGBW Series 2 | 1.97 in. (50 mm) | 36 LEDs/ft (120 LEDs/m) | RGBW | 59 | 272.2 / 745.3 | 272.2 / 745.3 | IP65: 16 ft 4 in. (5 m) IP68: 19 ft 7.9 in. (6 m) | N/A | ✓ | ✓ |
| 8.8 RGBW Series 2 | 1.97 in. (50 mm) | 36 LEDs/ft (120 LEDs/m) | RGBW | 61 | 375.8 / 1232.9 | 375.8 / 1232.9 | 16 ft 4 in. (5 m) | ✓ | N/A | N/A |
| 3.0 RGBW Double Row | 1.3 in. (33 mm) | 72 LEDs/ft (240 LEDs/m) | RGBW | 91 | 205 / 672 | 205 / 672 | 26 ft 3 in. (8 m) | ✓ | N/A | N/A |
| 3.0 RGBA Double Row | 1.3 in. (33 mm) | 72 LEDs/ft (240 LEDs/m) | RGBA | 78 | 205 / 672 | 205 / 672 | 26 ft 3 in. (8 m) | ✓ | N/A | N/A |
| 6.0 RGBW Double Row | 1.3 in. (33 mm) | 72 LEDs/ft (240 LEDs/m) | RGBW | 91 | 410 / 1344 | 410 / 1344 | 22 ft 11 in. (7 m) | ✓ | N/A | N/A |
| 6.0 RGBA Double Row | 1.3 in. (33 mm) | 72 LEDs/ft (240 LEDs/m) | RGBA | 80 | 410 / 1344 | 410 / 1344 | 22 ft 11 in. (7 m) | ✓ | N/A | N/A |
| 12.0 RGBW Double Row | 1.3 in. (33 mm) | 72 LEDs/ft (240 LEDs/m) | RGBW | 79 | 711 / 2333 | 711 / 2333 | 14 ft 9 in. (4.5 m) | ✓ | N/A | N/A |
| 12.0 RGBA Double Row | 1.3 in. (33 mm) | 72 LEDs/ft (240 LEDs/m) | RGBA | 75 | 711 / 2333 | 711 / 2333 | 14 ft 9 in. (4.5 m) | ✓ | N/A | N/A |
| 4.4 5-in-1 RGBWW | 2.46 in. (62.5 mm) | 29 LED/ft (96 LED/m) | RGBWW | 59 | 181.7 / 596.2 | 181.7 / 596.2 | 16 ft 4 in (5 m) | ✓ | N/A | N/A |
| 8.8 5-in-1 RGBWW | 2.46 in. (62.5 mm) | 29 LED/ft (96 LED/m) | RGBWW | 50 | 308.0 / 1010.5 | 308 / 1010.5 | 11 ft 6 in (3.5 m) | ✓ | N/A | N/A |
| RGBW Addressable | 3.94 in. (100 mm) | 18 LEDs/ft (60 LEDs/m) | Red | 33.5 | 25.1 / 82.5 | 25.1 / 82.5 | 16 ft 5.64 in. (5.02 m) | N/A | N/A | ✓ IP67 |
| | | | Green | 82 | 61.5 / 201.8 | 61.5 / 201.8 | | | | |
| | | | Blue | 15.5 | 11.6 / 38.1 | 11.6 / 38.1 | | | | |
| | | | White | 103 | 77.3 / 253.5 | 77.3 / 253.5 | | | | |
| | | | All | 40 | 181.6 / 595.8 | 181.6 / 595.8 | | | | |
| 5.2 Warm Dim | 3.94 in. (100 mm) | 36 LEDs/ft (120 LEDs/m) | WARM DIM | 55 | 215 / 704 | 215 / 704 | 16 ft 4 in. (5 m) | ✓ | ✓ | ✓ |

DIODE VISIBILITY CHART (Data below applies to installations with Milky lens only)

|  No Visible Diode = N Note: Linea RibbonLyte has no visible diode | | | |  With Visible Diode = Y | | | | | | | | |
|--|----------------------|----------------------|-------------------------|--|-------------------|-------------------|--------------------------------|----------------------|----------------------|-------------------------|--|------------------|
| Static White & Static Color RibbonLyte | | | Static White | Color Changing RibbonLyte | | | | | | | | |
| 0.75/1.5/2.2 | 3.0/4.4 | 5.0/6.0 | 3.0/6.0/12.0 Double Row | 4.4 RGBW Series 2 | 5.5 RGBW Series 2 | 8.8 RGBW Series 2 | 3.0/6.0/12.0 RGBW/A Double Row | 4.4/8.8 5-in-1 RGBWW | Warm Dim | Variable White Series 2 | 3.0/6.0/12.0 Variable White Double Row | RGBW Addressable |
| IP20 IP65 IP68 | IP20 IP65 IP68 | IP20 IP65 IP68 | IP20 | IP20 | IP65 IP68 | IP20 | IP20 | IP20 | IP20 IP65 IP68 | IP20 IP65 IP68 | IP20 | IP67 |
| N | N | N | N | N | N | N | N | N | N | N | N | N |

AVAILABLE DRIVERS / CONTROLLERS AND DIMMING OPTIONS / WIRE GAUGE CHART

NON-DIMMING ELECTRONIC DRIVERS ELV & MLV DRIVERS DIMMABLE DALI DRIVERS



30W, 60W, 96W Non-Dimming Electronic Class 2 Drivers

Part No.:
• DRVW2430 (30 Watt)
• DRVW2460 (60 Watt)
• DRVW2496 (96 Watt)
Output Voltage: 24 VDC
Input Voltage: 120-277 VAC
IP65, dry/damp location
UL Listed



240W, 320W Non-Dimming Electronic Drivers

Part No.:
• DRVW24240 (240 Watt)
• DRVW24320 (320 Watt)
Output Voltage: 24 VDC
Input Voltage: 90-305 VAC
IP65, dry/damp location
UL Recognized



60W, 96W Non-Dimming Compact Drivers

Part No.:
• DRV2460C (60 Watt)
• DRV2496C (96 Watt)
Output Voltage: 24 VDC
Input Voltage: 120-277 VAC
IP20, dry location
UL Class P



60W, 96W, 150W, 300W ELV/MLV Dimmable Drivers

Part No.:
• DRVW2460ELVMLV (60 Watt)
• DRVW2496ELVMLV (96 Watt)
• DRVW24150ELVMLV (150 Watt)
• DRVW24300ELVMLV (300 Watt)
Line Voltage Dimmable Drivers
Output Voltage: 24 VDC
Input Voltage: 100-277 VAC
IP67, damp/wet location
UL, CE, and CSA Listed



100W 1 Channel, 100W 2 Channel, 150W 4 Channel Dimmable DALI Drivers

Part No.:
• DRV100DALI1CH (100W 1 channel)
• DRV100DALI2CH (100W 2 channel)
• DRV150DALI4CH (150W 4 channel)
Output Voltage: 24 VDC
Input Voltage: 120-277 VAC
IP20, dry location
CE, UL Recognized, FCC, RoHS, SELV

0-10V DRIVERS ATHENA WIRELESS COMPATIBLE DIMMABLE DALI-2 DRIVERS



0-10V Dimmable Waterproof Drivers

• Part No.: DRVW249610P (96 Watt)
• Part No.: DRVW2428810P (288 Watt)
Output Voltage: 24 VDC (+/- 0.5 V)
Input Voltage: 100-277 VAC
UL wet location
UL Listed



0-10V Dimmable 90W VW/WD Driver

• Part No.: DRVRFWDVW2490120
Output Voltage: 24 VDC
Input Voltage: 100-277 VAC
IP23, dry/damp location
UL Listed



94W Athena Wireless Compatible Drivers

• Part No.: DRVW2494ATH1CH (1 channel)
• Part No.: DRVW2494ATH2CH (2 channel)
Output Voltage: 24 VDC
Input Voltage: 100-277 VAC
Dry location
UL Listed



96W DIMMABLE DALI-2 DT6 D4I & DALI-2 DT8 D4I DRIVERS

• Part No.: DRVW2496DALI1CH (1 channel)
• Part No.: DRVW2496DALI2CH (2 channel)
Output Voltage: 24-26 VDC
Input Voltage: 120-277 VAC
IP67, wet location
UL Listed

DMX CONTROLLERS, VARIABLE WHITE DIMMER, WARM DIM DIMMER - FOR COLOR CHANGING FIXTURES



GLASS TOUCH WALL CONTROLLERS
Part No.: AWCRGBWWBK
AWCVWBK



1 ZONE WALL CONTROLLER
Part No.: DMXCTRLG



5 ZONE WALL CONTROLLER
Part No.: DMXCTRL



10 ZONE WALL CONTROLLER
Part No.: DMXCTRLD



2 UNIVERSE DMX CONTROLLER
Part No.: DMXCTRLDR2U
6 UNIVERSE DMX CONTROLLER
Part No.: DMXCTRLDR6U



VARIABLE WHITE DIMMER
Part No.: RFDIMVWH (White)
RFDIMWBK (Black)



WARM DIM DIMMER
Part No.: RFDIMWDWH (White)
RFDIMWDBK (Black)



4 CHANNEL WATERPROOF DMX INTERFACE
Part No.: DMXINFWLCD4



5 CHANNEL DMX INTERFACE
Part No.: DMXINFOLED5



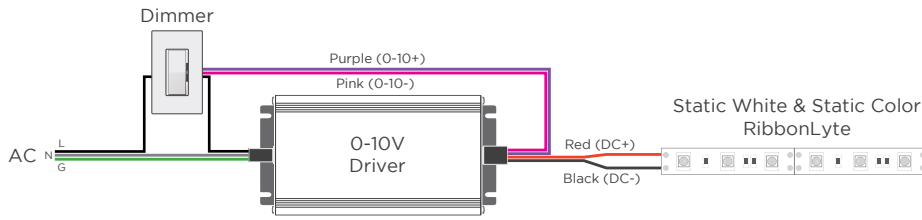
DMX OPTO SPLITTER
Part No.: DMXOS8

DRIVER AND RIBBONLYTE AT FULL LOAD

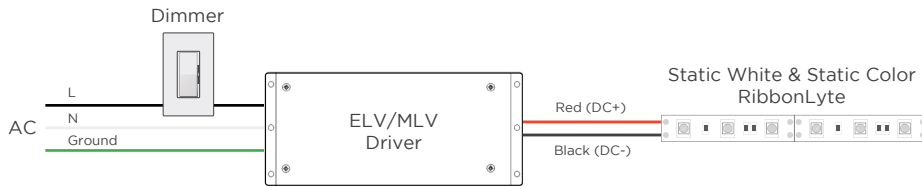
| Wattages | 30 | | 60 | | 96 | | 150 | | 200 | | 240 | | 300 | | 320 | |
|-------------------------------|------|--------|------|--------|------|--------|------|--------|------|--------|------|--------|------|--------|------|--------|
| | Feet | Meters | Feet | Meters | Feet | Meters | Feet | Meters | Feet | Meters | Feet | Meters | Feet | Meters | Feet | Meters |
| 24 AWG / 0.25 mm ² | 14 | 4.27 | 9 | 2.74 | 5.5 | 1.68 | 3.75 | 1.14 | 2.75 | 0.84 | 2.25 | 0.69 | 1.75 | 0.53 | 1.75 | 0.53 |
| 22 AWG / 0.34 mm ² | 22 | 6.71 | 14 | 4.27 | 9 | 2.74 | 5.75 | 1.75 | 4.5 | 1.37 | 3.5 | 1.07 | 2.75 | 0.84 | 2.75 | 0.84 |
| 20 AWG / 0.5 mm ² | 35 | 10.67 | 23 | 7.01 | 14 | 4.27 | 9 | 2.74 | 7 | 2.13 | 5.75 | 1.75 | 4.5 | 1.37 | 4.25 | 1.30 |
| 18 AWG / 0.75 mm ² | 56 | 17.07 | 37 | 11.28 | 23 | 7.01 | 15 | 4.57 | 11 | 3.35 | 9 | 2.74 | 7.5 | 2.29 | 7 | 2.13 |
| 16 AWG / 1.5 mm ² | 90 | 27.44 | 60 | 18.29 | 37 | 11.28 | 24 | 7.32 | 18 | 5.49 | 15 | 4.57 | 12 | 3.66 | 11 | 3.35 |
| 14 AWG / 2.5 mm ² | 142 | 43.29 | 95 | 28.96 | 59 | 17.99 | 38 | 11.59 | 28 | 8.54 | 23 | 7.01 | 19 | 5.79 | 17 | 5.18 |
| 12 AWG / 4 mm ² | 226 | 68.90 | 151 | 46.04 | 94 | 28.66 | 60 | 18.29 | 45 | 13.72 | 37 | 11.28 | 30 | 9.15 | 28 | 8.54 |
| 10 AWG / 6 mm ² | 360 | 109.76 | 240 | 73.17 | 150 | 45.73 | 96 | 29.27 | 72 | 21.95 | 60 | 18.29 | 48 | 14.63 | 45 | 13.72 |
| 8 AWG / 10 mm ² | 574 | 175.00 | 381 | 116.16 | 239 | 72.87 | 153 | 46.65 | 115 | 35.06 | 95 | 28.96 | 76 | 23.17 | 71 | 21.65 |

WIRING DIAGRAMS - STATIC WHITE / STATIC COLOR / RGBW / RGBA / RGBWW

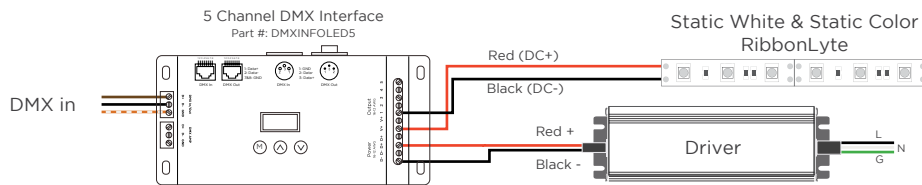
0-10 V



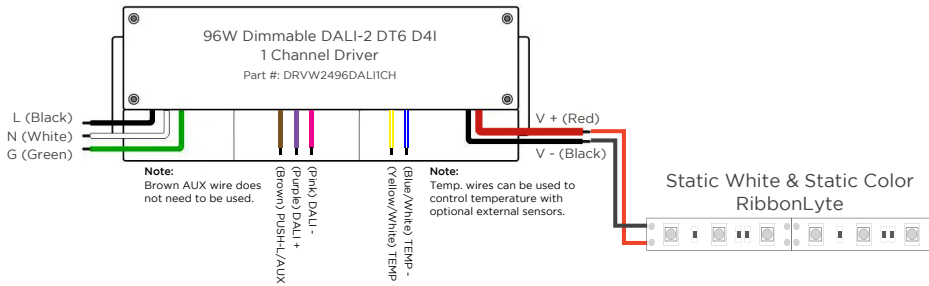
MLV / ELV



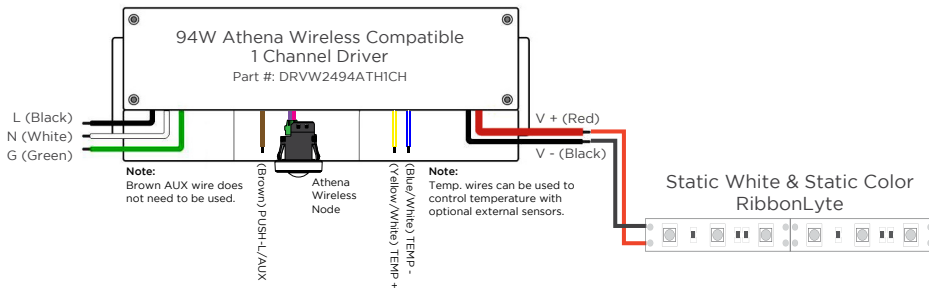
DMX WIRING WITH STATIC WHITE & STATIC COLOR RIBBONLYTE



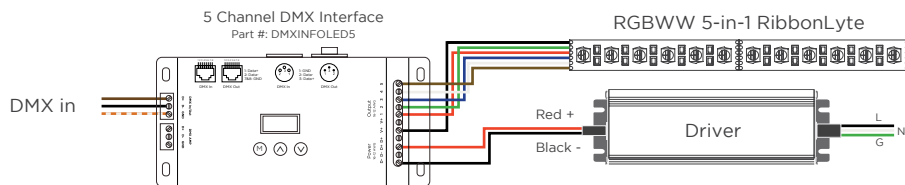
DALI-2 WIRING WITH STATIC WHITE & STATIC COLOR RIBBONLYTE



STATIC WHITE & STATIC COLOR RIBBONLYTE WIRING WITH ATHENA WIRELESS COMPATIBLE DRIVER



DMX WITH RGBWW 5-IN-1 RIBBONLYTE



WIRE COLORS PER RIBBONLYTE COLOR

STATIC WHITE + STATIC COLOR

- Red Wire (+) Positive
- Black Wire (-) Negative

RGBW + RGBA

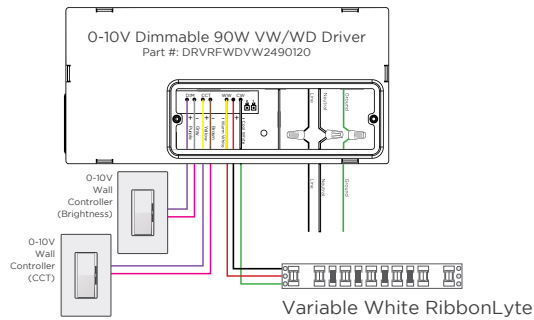
- Black Wire (+) Positive
- Green Wire (-) goes to Green Channel
- Red Wire (-) goes to Red Channel
- Blue Wire (-) goes to Blue Channel
- White Wire (-) goes to White Channel

RGBWW

- Black (+) Positive
- Green Wire (-) goes to Green Channel
- Red Wire (-) goes to Red Channel
- Blue Wire (-) goes to Blue Channel
- White Wire (-) goes to White Channel 1
- Brown Wire (-) goes to White Channel 2

WIRING DIAGRAMS - VARIABLE WHITE

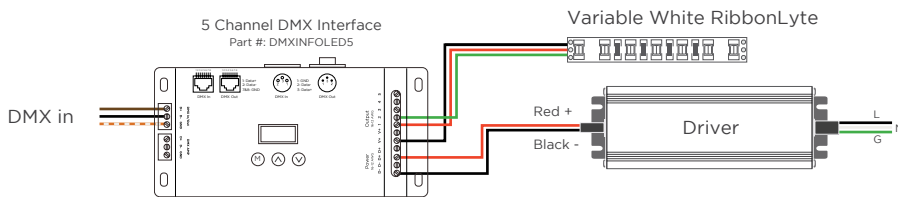
2-CHANNEL VARIABLE WHITE DIMMING



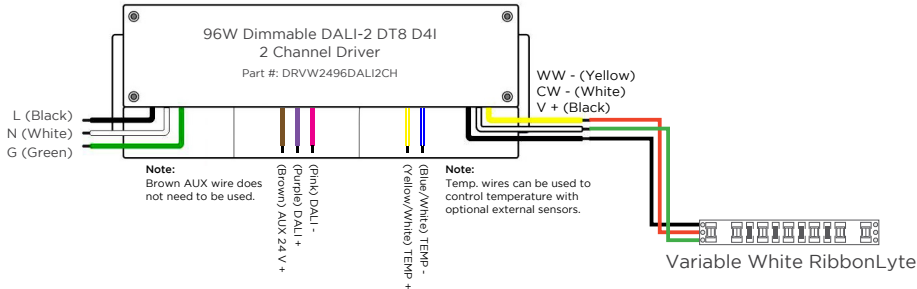
WIRE COLORS PER RIBBONLYTE COLOR

VARIABLE WHITE
Black Wire (+) Positive
Red Wire (-) goes to Warm White Channel
Green Wire (-) goes to Cool White Channel

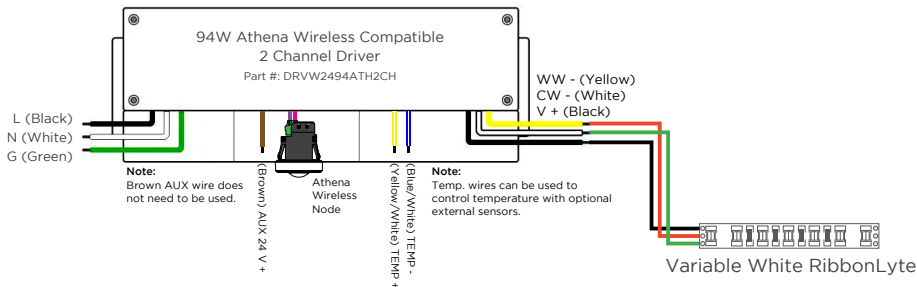
DMX WIRING WITH VARIABLE WHITE RIBBONLYTE



DALI-2 WIRING WITH VARIABLE WHITE RIBBONLYTE



VARIABLE WHITE RIBBONLYTE WIRING WITH ATHENA WIRELESS COMPATIBLE DRIVER



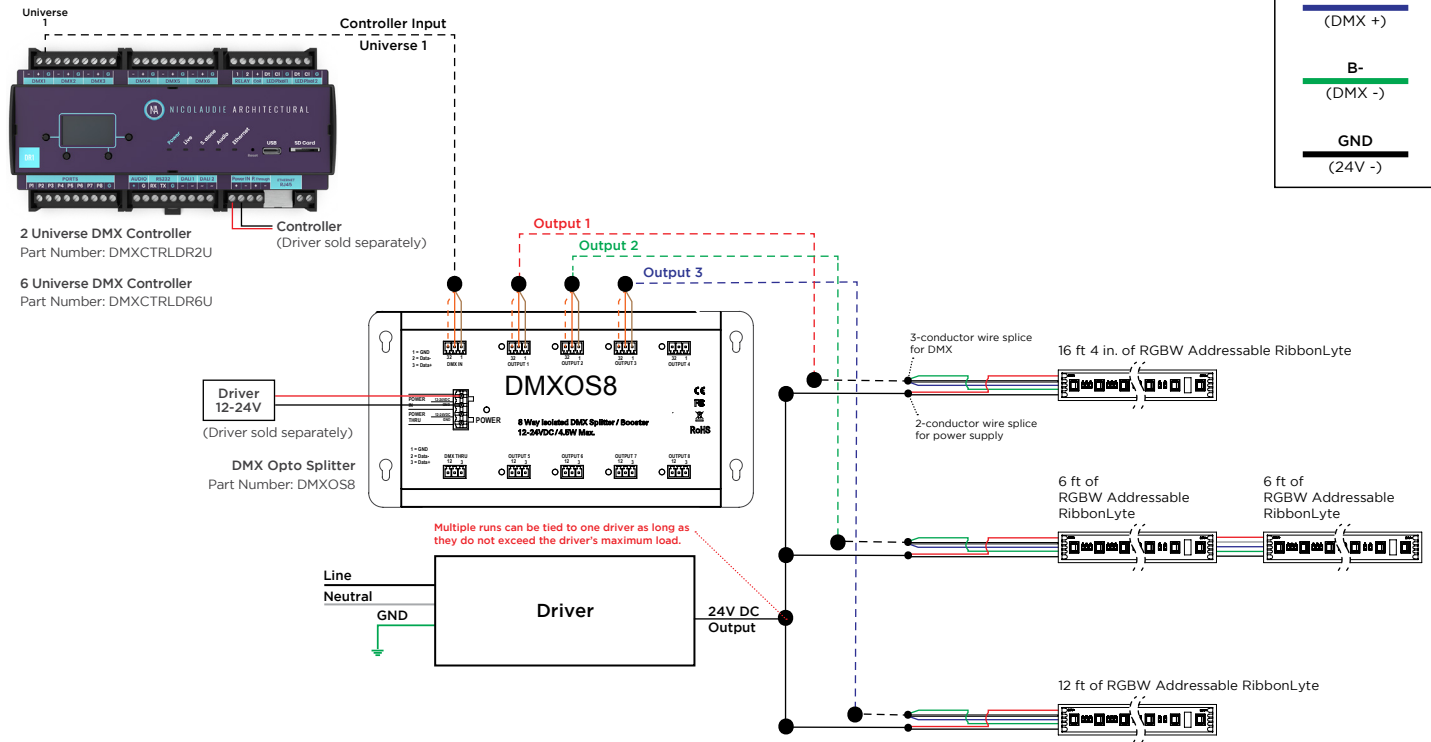
WIRING DIAGRAMS WITH RGBW ADDRESSABLE RIBBONLYTE

One DMX Universe consists of 128 addresses and 512 channels (42 ft, 8 in. of RibbonLyte).

Any single run of RibbonLyte that is less than 16 ft, 4 in. can be wired directly to the controller.

For additional runs, Opto Splitter must be used. Each individual run will need its own Opto Splitter output.

| WIRE INDEX | |
|------------|-----------|
| + | (24V +) |
| PI | (DMX GND) |
| A+ | (DMX +) |
| B- | (DMX -) |
| GND | (24V -) |



REV.27NOV2024

GLOBAL HQ

320 Murray Hill Pkwy
East Rutherford, NJ 07073
U.S.
T: (+1) 212 629 6830
E: Sales-US@GENLEDBrands.com

EUROPEAN HQ

Hogeweyselaan 119
1382 JK Weesp
Netherlands
T: (+31) 346 235 000
E: SalesEurope@GENLEDBrands.com

MEINA HQ

PO Box 371378, #823, Building 4EA
Dubai Airport Free Zone
Dubai, UAE
T: (+971) 4 701 7901
E: SalesMEINA@genlebrands.com

ASIA-PACIFIC HQ

Room 402, Building D
Shenshi Tongchuang Science and Technology Park
No. 16 Hongyin Road
Xingqiang Community, Xinhui Street
Guangming District, Shenzhen, China 518107
Sales: (+86) 139 1836 3905
Office: (+86) 755 8529 0710
E: Sales-Pacific@GENLEDBrands.com