

AS23 CHANNEL FIXTURE

AS23 is a surface mounted channel that offers a continuous line of light with six illuminated connection options for angled runs. With a clear, black or milky flat lens, or a milky square lens, the AS23 offers a 100-degree beam angle and holds LED strips with a maximum width of up to .79 in. (20 mm).

- Available for field assembly or factory assembly
- 0.91 in. (23 mm) wide by 0.99 in. (25.1 mm) deep, 1.59 in. (40.5 mm) deep with square lens
- 100° beam angle with clear, milky or black lens, 100°x150° with square milky lens
- Wattage range: 0.75 W/ft (2.46 W/m) to 8.8 W/ft (28.9 W/m)
- Static White delivered lumen range from 44.1 lm/ft (144.7 lm/m) up to 736.6 lm/ft (2416.7 lm/m)
- Available in silver, white, black or custom colors
- Available illuminated couplers at 60, 90, 120, 135, 180 and 270 degrees.
- Clear Lens, Milky Lens, Black Lens or Square Milky Lens

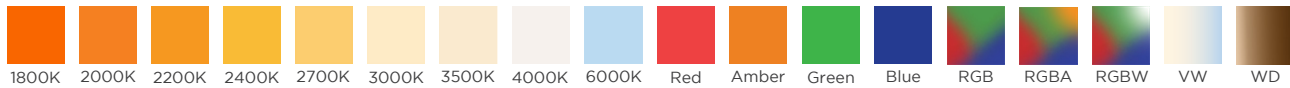


HOUSING FINISHES

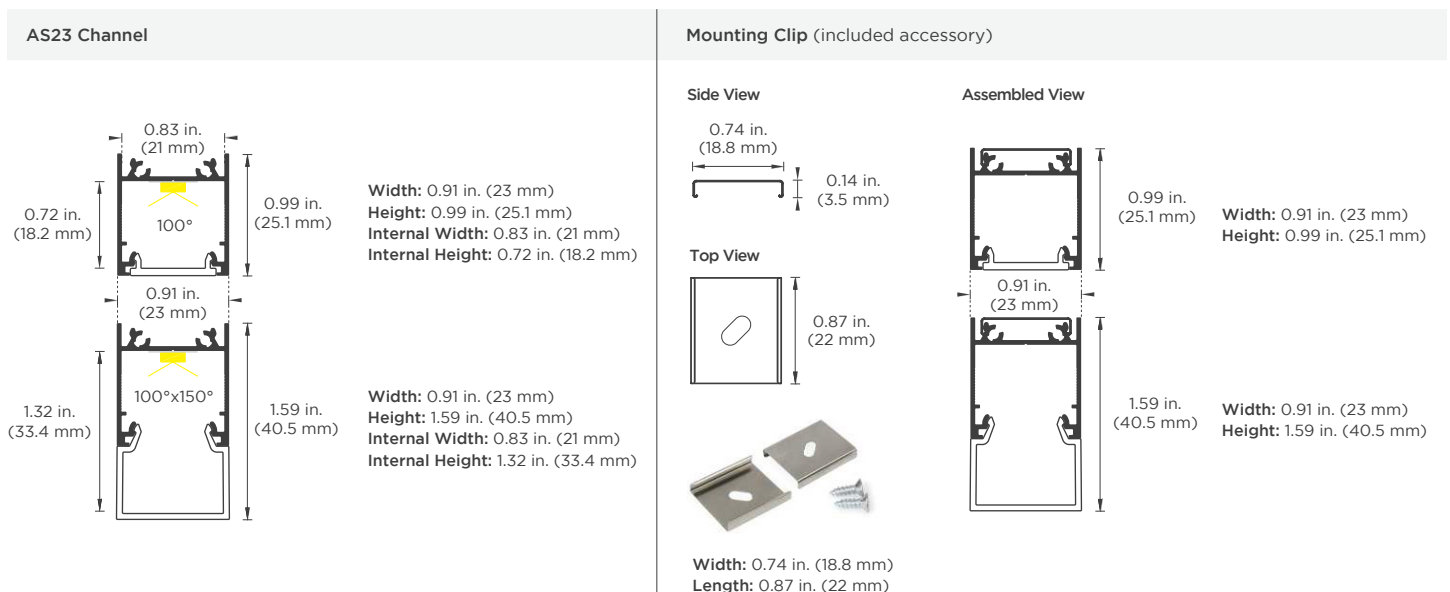


* Our black lens offers great diffusion and helps hide fixtures that aren't in use.

AVAILABLE COLORS & COLOR TEMPERATURES



DIMENSIONS



Acolyte does not warrant or represent that the information is free from errors or omission. The information may change without notice and Acolyte is not in any way liable for the accuracy of any information printed and stored or in any way interpreted or used.

SPECIFICATIONS

| | |
|--------------------------------|--|
| Beam Angle | 100° with Clear, Milky or Black Lens, 100°x150° with Square Milky Lens |
| Lens Type | Clear Lens, Milky Lens, Black Lens, Square Milky Lens |
| Length | Channel is sold by the foot and cut to your exact desired length. Required amount of mounting clips included. |
| Operating Voltage | 24V |
| Dimming | MLV / 0-10 Volt / Lutron Hi-Lume 1% dimming LED drivers / Lutron VIVE code compliance available / ELV / DALI / DMX |
| Operating Temperature | -40° F to 158° F (-40° C to 70° C) |
| Colors | 1800K, 2000K, 2200K, 2400K, 2700K, 3000K, 3500K, 4000K, 6000K, Red, Amber, Green, Blue, RGB, RGBA, RGBW, VW, Warm Dim (1800K, 2000K, 2200K only available in IP20) |
| CRI | 90+ CRI (Static white only) |
| Lamp Life | L70 at 50,000 Hours |
| MacAdam Ellipses (SDCM) | 2-Step Binning (For Static White LEDs only) |
| Certifications | ETL Listed: UL 2108 Issued: 2004/02/27 Ed: 1 Rev: 2014/02/24 Low Voltage Lighting Systems CSA C22.2#9.0 Issued: 1996/06/01 Ed: 1 (R2011) General Requirements for Luminaires; with Gen. Inst. 1: 1997, Gen Inst. 2: 1998. ROHS compliant UL 2108 - Low Voltage Lighting Systems UL 8750 - Light Emitting Diode (LED) Equipment for Use in Lighting Products UL 1598 / CSA 250.0-08 - Luminaires |

ACCESSORIES (SEE PART NUMBERS AT STEP 4 ON PAGE 3)

| | | | | | |
|----------------------------|---------------------------------|---|--|---|--|
| <p>60° Coupler</p> | <p>90° Coupler</p> | <p>90° Bent Coupler</p> | <p>120° Coupler</p> | <p>135° Coupler</p> | |
| <p>180° Coupler</p> | <p>270° Bent Coupler</p> | <p>End Cap (A) for Channel & Flat Lens</p> | <p>Milky End Cap (B) for Square Lens only</p> | <p>End Cap (C) for Channel & Square Milky Lens</p> | <p>Tilttable Stand</p> <p>Assembled Heights: Channel with flat lens: 1.85 in. (46.9 mm) Channel with square lens: 2.45 in. (62.3 mm)</p> |

End Cap Options when using Channel with Square Lens:

- Use both End Cap (A) and Milky End Cap (B)
- Use only the End Cap for Channel & Square Milky Lens (C)

Magnetic Mount (Part #: CHMAG0.5)

With Flat Lens:
1.11 in. (28.3 mm)

With Square Lens:
1.72 in. (43.7 mm)

- Features:**
- High-energy neodymium magnets come attached to mounting clips with countersink hex nuts
 - Create easy-mount magnetic channels with minimal surface gaps; no tools or drilling necessary
 - Magnets rated for 8 lbs. of pull force with static load
- Applications:**
- Industrial lighting retrofits for troffers and other metal fixtures
 - Metal retail shelf lighting
 - Temporary light fixture installations

ORDERING GUIDE

STEP 1 Complete Channel Part Number

| CHANNEL | LENS | HOUSING COLOR | END CAP (Only if using Square Milky Lens) |
|-----------------------|---|---|---|
| CHAS23 | | | |
| CHAS23 - AS23 Channel | C - Clear Lens M - Milky Lens BK - Black Lens | SM - Square Milky Lens SV - Silver BK - Black WH - White | Consult factory for custom colors AB - Milky End Cap (on top) + Channel End Cap (on bottom) C - Large Channel End Cap (for both lens and channel) |

STEP 2 Complete RibbonLyte Part Number

| CATEGORY | CRI | RIBBON TYPE & IP RATING |
|-----------------|---|--|
| RB | | |
| RB - RibbonLyte | 0 - Static Color, Color Changing 90 - 90+ CRI Static White | SWS220 - Static White Series 2 IP20 SWS265 - Static White Series 2 IP65 SWS268 - Static White Series 2 IP68 SCS220 - Static Color Series 2 IP20 SCS265 - Static Color Series 2 IP65 SCS268 - Static Color Series 2 IP68 |
| | | RGB20 - RGB IP20 RGB65 - RGB IP65 RGB68 - RGB IP68 RGBWA20 - RGBW/A IP20 RGBWA65 - RGBW/A IP65 RGBWA68 - RGBW/A IP68 |
| | | VWS220 - VW Series 2 IP20 VWS265 - VW Series 2 IP65 VWS268 - VW Series 2 IP68 WD20 - Warm Dim IP20 WD65 - Warm Dim IP65 WD68 - Warm Dim IP68 |

WATTAGE

- 0.75 - 0.75 W/ft (2.46 W/m - Static White, Static Color)
- 1.0 - 1.0 W/ft (3.3 W/m - Variable White)
- 1.5 - 1.5 W/ft (4.9 W/m - Static White, Static Color)
- 2.2 - 2.2 W/ft (7.2 W/m - Static White, Static Color, RGB)
- 3.0 - 3.0 W/ft (9.8 W/m - Static White, Static Color, Variable White)
- 4.4 - 4.4 W/ft (14.4 W/m - Static White, Static Color, RGB, RGBW/RGBA)
- 5.2 - 5.2 W/ft (17.1 W/m - Warm Dim)
- 5.0 - 5.0 W/ft (16.4 W/m - Static White, Static Color)
- 5.5 - 5.5 W/ft (18.0 W/m - RGBW/RGBA)
- 6.0 - 6.0 W/ft (19.7 W/m - Static White, Static Color, Variable White)
- 8.8 - 8.8 W/ft (28.86 W/m - RGB)

COLOR

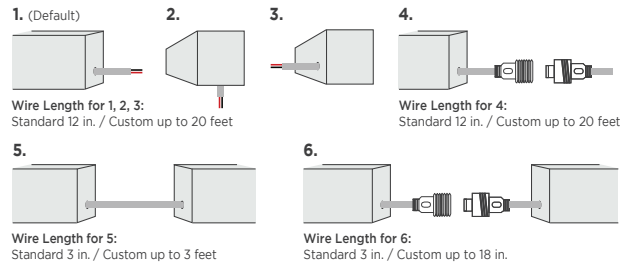
- 18 - 1800K R - Red RGB - Red, Green, Blue
- 20 - 2000K A - Amber RGB30 - Red, Green, Blue + 3000K
- 22 - 2200K G - Green RGB40 - Red, Green, Blue + 4000K (5.5W only)
- 24 - 2400K B - Blue RGB60 - Red, Green, Blue + 6000K
- 27 - 2700K RGBA - Red, Green, Blue + Amber
- 30 - 3000K VW - Variable White
- 35 - 3500K 2920 - Warm Dim 2900K-2000K (IP20)
- 40 - 4000K 2721 - Warm Dim 2900K-2000K (IP65)
- 60 - 6000K Z - Undecided**

** For quotes only. Must be chosen before final order.

CONNECTION OPTIONS (See diagrams on the right)

- 1 - End Feed Bare Wire Connection
- 2 - Back Feed Bare Wire Connection
- 3 - Side Feed Bare Wire Connection
- 4 - End Feed with IP67 Male Coupler
- 5 - Soldered Daisy Chain
- 6 - Daisy Chain With IP67 Couplers

Custom Length (ft.)



STEP 3 Complete Assembly Option & Length

| ASSEMBLY OPTION | LENGTH (Standard factory assembled length up to 78 in. / 2 m) |
|-----------------------|---|
| FI - Field Assembly | Consult factory for custom factory assembled length (up to 13 ft / 4 m) |
| FA - Factory Assembly | |

STEP 4 Add Accessories

ACCESSORIES

| | | | |
|-------------------------------------|---|---------------------------------------|---------------------------------------|
| CHCOUP60AS23SV - 60° Coupler Silver | CHCOUP90BNTAS23SV - 90° Bent Coupler Silver | CHCOUP135AS23SV - 135° Coupler Silver | CHCOUP180AS23SV - 180° Coupler Silver |
| CHCOUP60AS23BK - 60° Coupler Black | CHCOUP90BNTAS23BK - 90° Bent Coupler Black | CHCOUP135AS23BK - 135° Coupler Black | TILTSTANDST - Tilttable Stand |
| CHCOUP60AS23WH - 60° Coupler White | CHCOUP90BNTAS23WH - 90° Bent Coupler White | CHCOUP135AS23WH - 135° Coupler White | CHMAGO.5 - Magnetic Mount |
| CHCOUP90AS23SV - 90° Coupler Silver | CHCOUP120AS23SV - 120° Coupler Silver | CHCOUP270AS23SV - 270° Coupler Silver | |
| CHCOUP90AS23BK - 90° Coupler Black | CHCOUP120AS23BK - 120° Coupler Black | CHCOUP270AS23BK - 270° Coupler Black | |
| CHCOUP90AS23WH - 90° Coupler White | CHCOUP120AS23WH - 120° Coupler White | CHCOUP270AS23WH - 270° Coupler White | |

SPECIFICATIONS

| Available Wattage | Cutttable Length | LED Pitch | Color Temp. | lm/W without Lens | Delivered Lumens with Clear Lens (lm/ft / lm/m) | Delivered Lumens with Milky Lens (lm/ft / lm/m) | Delivered Lumens with Black Lens (lm/ft / lm/m) | Delivered Lumens with Square Lens (lm/ft / lm/m) | Standard Cable Length | Compatible with Channel | | |
|----------------------------|-------------------|-------------------------|-------------|-------------------|---|---|---|--|-----------------------|-------------------------|------|------|
| | | | | | | | | | | IP20 | IP65 | IP68 |
| 0.75 Static White Series 2 | 1.97 in. (50 mm) | 48 LEDs/ft (160 LEDs/m) | 1800K | 84 | 59 / 192 | 47 / 155 | 44 / 145 | 44 / 145 | 12 in. (30.5 cm) | ✓ | ✓ | ✓ |
| | | | 2000K | 99 | 69 / 227 | 56 / 183 | 52 / 171 | 52 / 171 | | | | |
| | | | 2200K | 109 | 76 / 249 | 61 / 201 | 57 / 188 | 57 / 188 | | | | |
| | | | 2400K | 113 | 79 / 259 | 64 / 209 | 59 / 195 | 59 / 195 | | | | |
| | | | 2700K | 123 | 86 / 281 | 69 / 227 | 65 / 212 | 65 / 212 | | | | |
| | | | 3000K | 123 | 86 / 281 | 69 / 227 | 65 / 212 | 65 / 212 | | | | |
| | | | 3500K | 130 | 91 / 297 | 73 / 240 | 68 / 224 | 68 / 224 | | | | |
| | | | 4000K | 134 | 93 / 307 | 75 / 247 | 70 / 231 | 70 / 231 | | | | |
| | | | 6000K | 131 | 91 / 300 | 74 / 242 | 69 / 226 | 69 / 226 | | | | |
| 1.5 Static White Series 2 | 1.97 in. (50 mm) | 48 LEDs/ft (160 LEDs/m) | 1800K | 84 | 117 / 384 | 95 / 310 | 88 / 289 | 88 / 289 | 12 in. (30.5 cm) | ✓ | ✓ | ✓ |
| | | | 2000K | 98 | 137 / 384 | 110 / 362 | 103 / 338 | 103 / 338 | | | | |
| | | | 2200K | 109 | 152 / 499 | 123 / 402 | 114 / 375 | 114 / 375 | | | | |
| | | | 2400K | 113 | 158 / 517 | 127 / 417 | 119 / 389 | 119 / 389 | | | | |
| | | | 2700K | 123 | 172 / 563 | 138 / 454 | 129 / 424 | 129 / 424 | | | | |
| | | | 3000K | 123 | 172 / 563 | 138 / 454 | 129 / 424 | 129 / 424 | | | | |
| | | | 3500K | 129 | 180 / 590 | 145 / 476 | 135 / 444 | 135 / 444 | | | | |
| | | | 4000K | 134 | 187 / 613 | 151 / 495 | 141 / 462 | 141 / 462 | | | | |
| | | | 6000K | 131 | 183 / 600 | 147 / 484 | 138 / 451 | 138 / 451 | | | | |
| 2.2 Static White Series 2 | 1.97 in. (50 mm) | 48 LEDs/ft (160 LEDs/m) | 1800K | 83 | 170 / 557 | 137 / 449 | 128 / 419 | 128 / 419 | 12 in. (30.5 cm) | ✓ | ✓ | ✓ |
| | | | 2000K | 96 | 196 / 644 | 158 / 520 | 148 / 485 | 148 / 485 | | | | |
| | | | 2200K | 106 | 217 / 712 | 175 / 574 | 163 / 536 | 163 / 536 | | | | |
| | | | 2400K | 111 | 227 / 745 | 183 / 601 | 171 / 561 | 171 / 561 | | | | |
| | | | 2700K | 120 | 246 / 806 | 198 / 650 | 185 / 606 | 185 / 606 | | | | |
| | | | 3000K | 122 | 250 / 819 | 201 / 660 | 188 / 616 | 188 / 616 | | | | |
| | | | 3500K | 127 | 260 / 852 | 210 / 687 | 196 / 642 | 196 / 642 | | | | |
| | | | 4000K | 133 | 272 / 893 | 219 / 720 | 205 / 672 | 205 / 672 | | | | |
| | | | 6000K | 128 | 262 / 859 | 211 / 693 | 197 / 647 | 197 / 647 | | | | |
| 3.0 Static White Series 2 | 1.97 in. (50 mm) | 48 LEDs/ft (160 LEDs/m) | 1800K | 84 | 234 / 769 | 189 / 620 | 176 / 579 | 176 / 579 | 12 in. (30.5 cm) | ✓ | ✓ | ✓ |
| | | | 2000K | 98 | 273 / 897 | 221 / 723 | 206 / 675 | 206 / 675 | | | | |
| | | | 2200K | 108 | 301 / 989 | 243 / 797 | 227 / 744 | 227 / 744 | | | | |
| | | | 2400K | 109.8 | 306 / 1005 | 247 / 811 | 231 / 756 | 231 / 756 | | | | |
| | | | 2700K | 122.9 | 343 / 1125 | 277 / 907 | 258 / 847 | 258 / 847 | | | | |
| | | | 3000K | 130 | 363 / 1190 | 293 / 960 | 273 / 896 | 273 / 896 | | | | |
| | | | 3500K | 133 | 371 / 1217 | 299 / 982 | 279 / 916 | 279 / 916 | | | | |
| | | | 4000K | 133 | 371 / 1217 | 299 / 982 | 279 / 916 | 279 / 916 | | | | |
| | | | 6000K | 128 | 357 / 1172 | 288 / 945 | 269 / 882 | 269 / 882 | | | | |
| 4.4 Static White Series 2 | 1.97 in. (50 mm) | 48 LEDs/ft (160 LEDs/m) | 1800K | 81 | 331 / 1087 | 267 / 877 | 249 / 818 | 249 / 818 | 12 in. (30.5 cm) | ✓ | ✓ | ✓ |
| | | | 2000K | 95 | 389 / 1275 | 314 / 1029 | 293 / 960 | 293 / 960 | | | | |
| | | | 2200K | 105 | 430 / 1410 | 347 / 1137 | 323 / 1061 | 323 / 1061 | | | | |
| | | | 2400K | 109 | 446 / 1463 | 360 / 1180 | 336 / 1101 | 336 / 1101 | | | | |
| | | | 2700K | 122 | 499 / 1638 | 403 / 1321 | 376 / 1233 | 376 / 1233 | | | | |
| | | | 3000K | 129 | 528 / 1732 | 426 / 1397 | 397 / 1304 | 397 / 1304 | | | | |
| | | | 3500K | 132 | 540 / 1772 | 436 / 1429 | 407 / 1334 | 407 / 1334 | | | | |
| | | | 4000K | 132 | 540 / 1772 | 436 / 1429 | 407 / 1334 | 407 / 1334 | | | | |
| | | | 6000K | 126 | 516 / 1692 | 416 / 1364 | 388 / 1273 | 388 / 1273 | | | | |
| 5.0 Static White Series 2 | 1.4 in. (35.7 mm) | 68 LEDs/ft (224 LEDs/m) | 1800K | 83 | 386 / 1266 | 311 / 1021 | 291 / 953 | 291 / 953 | 12 in. (30.5 cm) | ✓ | ✓ | ✓ |
| | | | 2000K | 98 | 456 / 1495 | 368 / 1206 | 343 / 1125 | 343 / 1125 | | | | |
| | | | 2200K | 107 | 498 / 1632 | 401 / 1316 | 375 / 1229 | 375 / 1229 | | | | |
| | | | 2400K | 110 | 511 / 1675 | 412 / 1351 | 384 / 1261 | 384 / 1261 | | | | |
| | | | 2700K | 123 | 571 / 1875 | 461 / 1512 | 430 / 1411 | 430 / 1411 | | | | |
| | | | 3000K | 130 | 605 / 1983 | 488 / 1599 | 455 / 1493 | 455 / 1493 | | | | |
| | | | 3500K | 133 | 618 / 2029 | 499 / 1636 | 466 / 1527 | 466 / 1527 | | | | |
| | | | 4000K | 133 | 618 / 2029 | 499 / 1636 | 466 / 1527 | 466 / 1527 | | | | |
| | | | 6000K | 127 | 591 / 1937 | 476 / 1562 | 445 / 1458 | 445 / 1458 | | | | |

SPECIFICATIONS

| Available Wattages | Cuttable Length | LED Pitch | Color Temp. | lm/W without Lens | Delivered Lumens with Clear Lens (lm/ft / lm/m) | Delivered Lumens with Milky Lens (lm/ft / lm/m) | Delivered Lumens with Black Lens (lm/ft / lm/m) | Delivered Lumens with Square Lens (lm/ft / lm/m) | Standard Cable Length | Compatible with Channel | | |
|-----------------------------|-------------------|-------------------------|---------------|-------------------|---|---|---|--|-----------------------|-------------------------|------|------|
| | | | | | | | | | | IP20 | IP65 | IP68 |
| 6.0 Static White Series 2 | 1.4 in. (35.7 mm) | 68 LEDs/ft (224 LEDs/m) | 1800K | 82 | 458 / 1501 | 369 / 1211 | 344 / 1130 | 344 / 1130 | 12 in. (30.5 cm) | ✓ | ✓ | ✓ |
| | | | 2000K | 95 | 530 / 1739 | 428 / 1403 | 399 / 1309 | 399 / 1309 | | | | |
| | | | 2200K | 106 | 591 / 1941 | 477 / 1565 | 445 / 1461 | 445 / 1461 | | | | |
| | | | 2400K | 109 | 608 / 1995 | 491 / 1609 | 458 / 1502 | 458 / 1502 | | | | |
| | | | 2700K | 122 | 681 / 2233 | 549 / 1801 | 512 / 1681 | 512 / 1681 | | | | |
| | | | 3000K | 129 | 720 / 2362 | 581 / 1905 | 542 / 1778 | 542 / 1778 | | | | |
| | | | 3500K | 132 | 737 / 2417 | 594 / 1949 | 554 / 1819 | 554 / 1819 | | | | |
| | | | 4000K | 132 | 737 / 2417 | 594 / 1949 | 554 / 1819 | 554 / 1819 | | | | |
| 0.75 Static Color Series 2 | 1.97 in. (50 mm) | 48 LEDs/ft (160 LEDs/m) | Red | 41 | 29 / 94 | 23 / 76 | 22 / 71 | 22 / 71 | 12 in. (30.5 cm) | ✓ | ✓ | ✓ |
| | | | Green | 175 | 122 / 400 | 98 / 323 | 92 / 301 | 92 / 301 | | | | |
| | | | Blue | 19 | 13 / 43 | 11 / 35 | 10 / 33 | 10 / 33 | | | | |
| | | | Amber | 34 | 24 / 78 | 19 / 63 | 18 / 59 | 18 / 59 | | | | |
| 1.5 Static Color Series 2 | 1.97 in. (50 mm) | 48 LEDs/ft (160 LEDs/m) | Red | 42 | 59 / 192 | 47 / 155 | 44 / 145 | 44 / 145 | 12 in. (30.5 cm) | ✓ | ✓ | ✓ |
| | | | Green | 160 | 223 / 732 | 180 / 591 | 168 / 551 | 168 / 551 | | | | |
| | | | Blue | 18 | 25 / 82 | 20 / 66 | 19 / 62 | 19 / 62 | | | | |
| | | | Amber | 34 | 47 / 156 | 38 / 125 | 36 / 117 | 36 / 117 | | | | |
| 2.2 Static Color Series 2 | 1.97 in. (50 mm) | 48 LEDs/ft (160 LEDs/m) | Red | 42 | 86 / 282 | 69 / 227 | 65 / 212 | 65 / 212 | 12 in. (30.5 cm) | ✓ | ✓ | ✓ |
| | | | Green | 145 | 297 / 973 | 239 / 785 | 223 / 733 | 223 / 733 | | | | |
| | | | Blue | 18 | 37 / 121 | 30 / 97 | 28 / 91 | 28 / 91 | | | | |
| | | | Amber | 34 | 70 / 228 | 56 / 184 | 52 / 172 | 52 / 172 | | | | |
| 3.0 Static Color Series 2 | 1.97 in. (50 mm) | 48 LEDs/ft (160 LEDs/m) | Red | 40 | 112 / 366 | 90 / 295 | 84 / 276 | 84 / 276 | 12 in. (30.5 cm) | ✓ | ✓ | ✓ |
| | | | Green | 127 | 354 / 1162 | 286 / 937 | 267 / 875 | 267 / 875 | | | | |
| | | | Blue | 25 | 70 / 229 | 56 / 185 | 53 / 172 | 53 / 172 | | | | |
| | | | Amber | 29 | 81 / 265 | 65 / 214 | 61 / 200 | 61 / 200 | | | | |
| 4.4 Static Color Series 2 | 1.97 in. (50 mm) | 48 LEDs/ft (160 LEDs/m) | Red | 38 | 155 / 510 | 125 / 411 | 117 / 384 | 117 / 384 | 12 in. (30.5 cm) | ✓ | ✓ | ✓ |
| | | | Green | 117 | 479 / 1571 | 386 / 1267 | 360 / 1182 | 360 / 1182 | | | | |
| | | | Blue | 24 | 98 / 322 | 79 / 260 | 74 / 243 | 74 / 243 | | | | |
| | | | Amber | 25 | 102 / 336 | 83 / 271 | 77 / 253 | 77 / 253 | | | | |
| 5.0 Static Color Series 2 | 1.4 in. (35.7 mm) | 68 LEDs/ft (224 LEDs/m) | Red | 37 | 172 / 564 | 139 / 455 | 130 / 425 | 130 / 425 | 12 in. (30.5 cm) | ✓ | ✓ | ✓ |
| | | | Green | 116 | 539 / 1770 | 435 / 1427 | 406 / 1332 | 406 / 1332 | | | | |
| | | | Blue | 24 | 112 / 366 | 90 / 295 | 84 / 276 | 84 / 276 | | | | |
| | | | Amber | 26 | 121 / 397 | 98 / 320 | 91 / 299 | 91 / 299 | | | | |
| 6.0 Static Color Series 2 | 1.4 in. (35.7 mm) | 68 LEDs/ft (224 LEDs/m) | Red | 37 | 206 / 677 | 167 / 546 | 155 / 510 | 155 / 510 | 12 in. (30.5 cm) | ✓ | ✓ | ✓ |
| | | | Green | 113 | 631 / 2069 | 509 / 1668 | 475 / 1557 | 475 / 1557 | | | | |
| | | | Blue | 23 | 128 / 421 | 104 / 340 | 97 / 317 | 97 / 317 | | | | |
| | | | Amber | 24 | 134 / 439 | 108 / 354 | 101 / 331 | 101 / 331 | | | | |
| 1.0 Variable White Series 2 | 1.97 in. (50 mm) | 42 LEDs/ft (140 LEDs/m) | 2000K + 6500K | 85 | 79 / 259 | 64 / 209 | 60 / 195 | 60 / 195 | 12 in. (30.5 cm) | ✓ | ✓ | ✓ |
| 3.0 Variable White Series 2 | 1.97 in. (50 mm) | 42 LEDs/ft (140 LEDs/m) | 2000K + 6500K | 80 | 223 / 732 | 180 / 591 | 168 / 551 | 168 / 551 | 12 in. (30.5 cm) | ✓ | ✓ | ✓ |
| 6.0 Variable White Series 2 | 1.97 in. (50 mm) | 42 LEDs/ft (140 LEDs/m) | 2000K + 6500K | 75 | 419 / 1373 | 338 / 1107 | 315 / 1033 | 315 / 1033 | 12 in. (30.5 cm) | ✓ | ✓ | ✓ |

SPECIFICATIONS / ASSEMBLY OPTIONS

| Available Wattages | Cuttable Length | LED Pitch | Color Temp. | lm/W without Lens | Delivered Lumens with Clear Lens (lm/ft / lm/m) | Delivered Lumens with Milky Lens (lm/ft / lm/m) | Delivered Lumens with Black Lens (lm/ft / lm/m) | Delivered Lumens with Square Lens (lm/ft / lm/m) | Standard Cable Length | Compatible with Channel | | |
|--------------------|---------------------|-------------------------|-------------|-------------------|---|---|---|--|-----------------------|-------------------------|------|------|
| | | | | | | | | | | IP20 | IP65 | IP68 |
| 2.2 RGB | 6.55 in. (166.4 mm) | 9 LEDs/ft (30 LEDs/m) | RGB | 37 | 76 / 248 | 61 / 200 | 57 / 187 | 57 / 187 | 12 in. (30.5 cm) | ✓ | ✓ | ✓ |
| 4.4 RGB | 3.94 in. (100 mm) | 18 LEDs/ft (60 LEDs/m) | RGB | 37 | 76 / 249 | 61 / 200 | 57 / 187 | 57 / 187 | 12 in. (30.5 cm) | ✓ | ✓ | ✓ |
| 8.8 RGB | 1.97 in. (50 mm) | 18 LEDs/ft (60 LEDs/m) | RGB | 37 | 303 / 993 | 244 / 801 | 228 / 748 | 228 / 748 | 12 in. (30.5 cm) | ✓ | ✓ | ✓ |
| 4.4 RGBW | 6.55 in. (166.4 mm) | 18 LEDs/ft (60 LEDs/m) | RGBW | 65 | 266 / 873 | 215 / 704 | 57 / 187 | 57 / 187 | 12 in. (30.5 cm) | ✓ | ✓ | ✓ |
| 4.4 RGBA | 6.55 in. (166.4 mm) | 18 LEDs/ft (60 LEDs/m) | RGBA | 33 | 135 / 443 | 109 / 357 | 200 / 657 | 200 / 657 | 12 in. (30.5 cm) | ✓ | ✓ | ✓ |
| 5.5 4-in-1 RGBW | 3.94 in. (100 mm) | 18 LEDs/ft (60 LEDs/m) | RGBW | 51 | 261 / 856 | 210 / 690 | 196 / 644 | 196 / 644 | 12 in. (30.5 cm) | ✓ | ✓ | ✓ |
| 5.5 4-in-1 RGBA | 3.94 in. (100 mm) | 18 LEDs/ft (60 LEDs/m) | RGBA | 27 | 138 / 453 | 111 / 365 | 104 / 341 | 104 / 341 | 12 in. (30.5 cm) | ✓ | ✓ | ✓ |
| 5.2 Warm Dim | 3.94 in. (100 mm) | 36 LEDs/ft (120 LEDs/m) | WARM DIM | 55 | 266 / 873 | 215 / 704 | 200 / 657 | 200 / 657 | 12 in. (30.5 cm) | ✓ | ✓ | ✓ |

DIODE VISIBILITY CHART (Data below applies to installations with Milky lens only)

|  No Visible Diode = N | | |  With Visible Diode = Y | | | | | | |
|--|----------------------|----------------------|---|----------------------|----------------------|----------------------|-------------------|----------------------|----------------------|
| Static White & Static Color RibbonLyte | | | Color Changing RibbonLyte | | | | | | |
| 0.75/1.5/2.2 | 3.0/4.4 | 5.0/6.0 | 2.2 RGB | 4.4 RGB | 8.8 RGB | 4.4 RGBW/A | 5.5 4-in-1 RGBW/A | Warm Dim | Variable White |
| IP20 IP65 IP68 | IP20 IP65 IP68 | IP20 IP65 IP68 | IP20 IP65 IP68 | IP20 IP65 IP68 | IP20 IP65 IP68 | IP20 IP65 IP68 | IP20 IP65 | IP20 IP65 IP68 | IP20 IP65 IP68 |
| N | N | N | Y | Y | N | N | N | N | N |

AVAILABLE DRIVERS

NON-DIMMING ELECTRONIC DRIVERS



**30W, 60W, 96W
Non-Dimming Electronic
Class 2 Drivers**

- Part No.:
- DRVW2430 (30 Watt)
 - DRVW2460 (60 Watt)
 - DRVW2496 (96 Watt)

Output Voltage: 24 V
Voltage Range: 120-277 VAC
IP Rating: Dry or Damp
UL Listed



**240W, 320W
Non-Dimming
Electronic Drivers**

- Part No.:
- DRVW24240 (240 Watt)
 - DRVW24320 (320 Watt)

Output Voltage: 24 V
Voltage Range: 90-305 VAC
IP Rating: Dry or Damp
UL Recognized



**40W
Lutron Hi-Lume 1% Dimming
Class 2 Drivers**

- Part No.:
- DRVLUT24403W (40 Watt, 3-wire)
 - DRVLUT24402W (40 Watt, 2-wire)

Output Voltage: 24 V
Voltage Range: 120-277 VAC (3-wire model)
or 120V (2-wire model)
IP Rating: Dry or Damp
Dimmable using 2-wire forward phase,
3-wire+G or digital EcoSystem
UL Listed



**96W
Lutron Hi-Lume Premier 0.1% Dimming
Class 2 Driver**

- Part No.:
- DRVLUT24963W (96 Watt, 3-wire)

Output Voltage: 24 V
Voltage Range: 120-277 VAC
IP Rating: Dry or Damp
Dimmable using 3-wire+G or digital EcoSystem
0.1% dimming SoftOn/FadeToBlack
with EcoSystem
UL Listed

MAGNETIC, ELV & MLV DRIVERS WITH COMPATIBLE DIMMERS



120 VAC

**60W, 96W, 200W, 300W
Class 1 & 2 Magnetic Drivers**

- Part No.:
- DRVWDIM2460 (60 Watt)
 - DRVWDIM24100 (96 Watt)
 - DRVWDIM24200 (200 Watt)
 - DRVWDIM24300 (300 Watt)

Magnetic Driver
Output Voltage: 24 V
Voltage Range: 120 VAC
IP Rating: Dry or Damp
Forward Phase Dimming
ETL Listed



277 VAC

**60W, 96W, 200W, 300W
Class 1 & 2 Magnetic Drivers**

- Part No.:
- DRVWDIM2460277 (60 Watt)
 - DRVWDIM24100277 (96 Watt)
 - DRVWDIM24200277 (200 Watt)
 - DRVWDIM24300277 (300 Watt)

Magnetic Driver
Output Voltage: 24 V
Voltage Range: 277 VAC
IP Rating: Dry or Damp
Forward Phase Dimming
ETL Listed



**60W, 96W, 150W, 200W
ELV & MLV Drivers**

- Part No.:
- DRVW2460ELV (60 Watt)
 - DRVW2496ELV (96 Watt)
 - DRVW24150ELV (150 Watt)
 - DRVW24200ELV (200 Watt)

Line Voltage Dimmable Drivers
Output Voltage: 24 V
Voltage Range: 100-130 VAC
IP Rating: Dry or Damp
Dimmable
ETL, UL and CSA Listed



LUTRON Skylark Contour Dimmer

Part No.: TRIDIMSKY
Width: 2.94 in (75 mm)
Length: 4.69 in (120 mm)
Depth: 0.30 in (7.6 mm)

- Single pole and 3-way versions
- Compatible with Acolyte MLV drivers
- Slide adjusts brightness and On/Off control
- 30 mA max control current
- Available in white finish



LUTRON NOVA-T Dimmer

Part No.: TRIDIMNOVA
Width: 2.75 in (70 mm)
Length: 4.56 in (116 mm)
Depth: 0.30 in (7.6 mm)

- Slide adjusts brightness and On/Off control
- 30 mA max control current
- Available in white finish



LUTRON DIVA Dimmer

Part No.: TRIDIMDIVA
(With Locator Light) TRIDIMDIVAL
Width: 2.94 in (75 mm)
Length: 4.69 in (120 mm)
Depth: 0.30 in (7.6 mm)

- Large paddle switch with a captive linear-slide dimmer
- 30 mA max control current
- Available in white finish
- Available with locator light which glows green when the switch is off

Note: For more options, please reference the Optional Dimmer List on Acolyte product website page.

AVAILABLE DRIVERS / CONTROLLERS AND DIMMING OPTIONS / WIRE GAUGE CHART

0-10V DRIVERS AND DIMMERS

DIMMING MODULE



0-10V Dimmable Waterproof Drivers
96W Part No.: DRVW249610P
288W Part No.: DRVW2428810P
 Output Voltage: 24 V (+/- 0.5V)
 Voltage Range: 100-277 VAC
 Environmental Rating: UL Wet Location
 UL Listed



LUTRON DIVA Dimmer
 Part No.: LVDIMDIVA
 Width: 2.94 in (75 mm)
 Length: 4.69 in (120 mm)
 Depth: 0.30 in (7.6 mm)

- Compatible with 0-10 V Dimming Module
- Large paddle switch with a captive linear-slide dimmer
- 30 mA max control current
- Available in white finish



LUTRON NOVA-T Dimmer
 Part No.: LVDIMNOVA
 Width: 2.75 in (70 mm)
 Length: 4.56 in (116 mm)
 Depth: 0.30 in (7.6 mm)

- Compatible with 0-10 V Dimming Module
- Slide adjusts brightness and On/Off control
- 30 mA max control current
- Available in white finish



Variable White Dimming Module
 Part No.: VWDIMMOD

- 1 dimming module required per 30 ft (9.1 m)
- This product is only compatible with Variable White RibbonLyte, not Variable White Amber or Variable White Red. Works with any 0-10V dimmers to provide CCT change with one dimmer and brightness change with the other.

 Note: Max length before additional power is introduced

DMX CONTROLLER AND PART NUMBER - FOR COLOR CHANGING VERSIONS



GLASS TOUCH WALL CONTROLLER
 Part Number: AWCRGBWW
 AWCVWW



1 ZONE WALL CONTROLLER
 Part Number: DMXCTRLG



5 ZONE WALL CONTROLLER
 Part Number: DMXCTRL



10 ZONE WALL CONTROLLER
 Part Number: DMXCTRLD



4 CHANNEL WATERPROOF DMX INTERFACE
 Part Number: DMXINFWLCD4



5 CHANNEL DMX INTERFACE
 Part Number: DMXINFLCD5



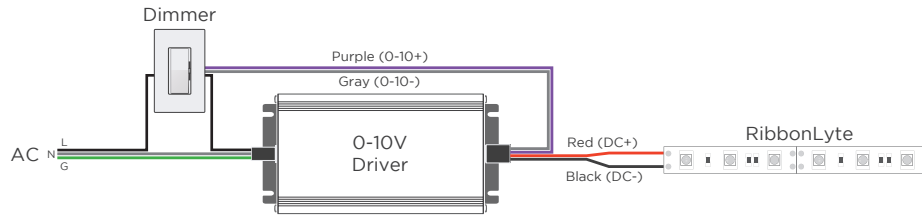
DMX OPTO SPLITTER
 Part Number: DMXOS8

DRIVER AND RIBBONLYTE AT FULL LOAD

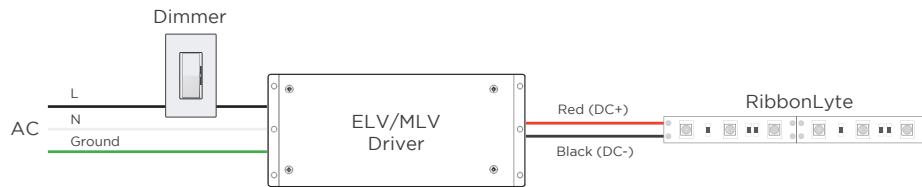
| Wattages | 30 | | 60 | | 96 | | 150 | | 200 | | 240 | | 300 | | 320 | |
|------------|------|--------|------|--------|------|--------|------|--------|------|--------|------|--------|------|--------|------|--------|
| Wire Gauge | Feet | Meters | Feet | Meters | Feet | Meters | Feet | Meters | Feet | Meters | Feet | Meters | Feet | Meters | Feet | Meters |
| 24 AWG | 14 | 4.27 | 9 | 2.74 | 5.5 | 1.68 | 3.75 | 1.14 | 2.75 | 0.84 | 2.25 | 0.69 | 1.75 | 0.53 | 1.75 | 0.53 |
| 22 AWG | 22 | 6.71 | 14 | 4.27 | 9 | 2.74 | 5.75 | 1.75 | 4.5 | 1.37 | 3.5 | 1.07 | 2.75 | 0.84 | 2.75 | 0.84 |
| 20 AWG | 35 | 10.67 | 23 | 7.01 | 14 | 4.27 | 9 | 2.74 | 7 | 2.13 | 5.75 | 1.75 | 4.5 | 1.37 | 4.25 | 1.30 |
| 18 AWG | 56 | 17.07 | 37 | 11.28 | 23 | 7.01 | 15 | 4.57 | 11 | 3.35 | 9 | 2.74 | 7.5 | 2.29 | 7 | 2.13 |
| 16 AWG | 90 | 27.44 | 60 | 18.29 | 37 | 11.28 | 24 | 7.32 | 18 | 5.49 | 15 | 4.57 | 12 | 3.66 | 11 | 3.35 |
| 14 AWG | 142 | 43.29 | 95 | 28.96 | 59 | 17.99 | 38 | 11.59 | 28 | 8.54 | 23 | 7.01 | 19 | 5.79 | 17 | 5.18 |
| 12 AWG | 226 | 68.90 | 151 | 46.04 | 94 | 28.66 | 60 | 18.29 | 45 | 13.72 | 37 | 11.28 | 30 | 9.15 | 28 | 8.54 |
| 10 AWG | 360 | 109.76 | 240 | 73.17 | 150 | 45.73 | 96 | 29.27 | 72 | 21.95 | 60 | 18.29 | 48 | 14.63 | 45 | 13.72 |
| 8 AWG | 574 | 175.00 | 381 | 116.16 | 239 | 72.87 | 153 | 46.65 | 115 | 35.06 | 95 | 28.96 | 76 | 23.17 | 71 | 21.65 |

WIRING DIAGRAMS

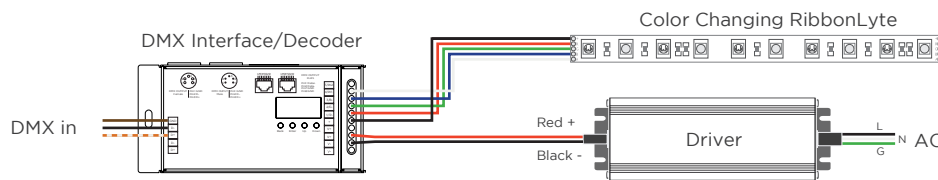
0-10V



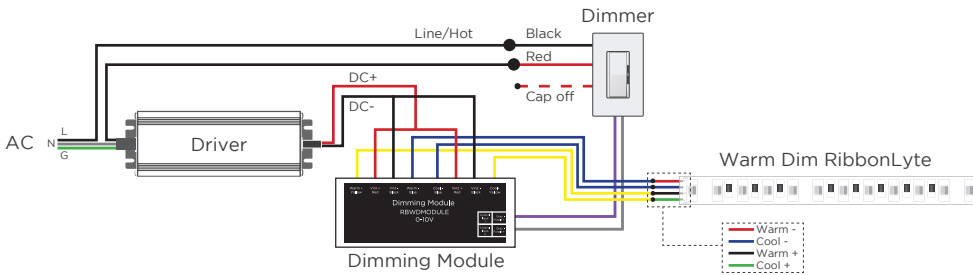
MLV / ELV



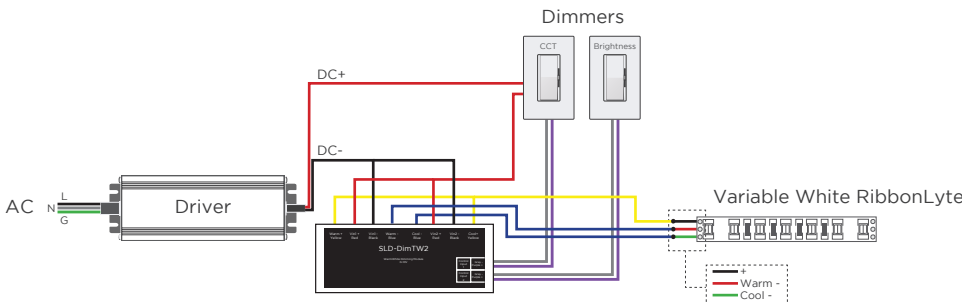
DMX



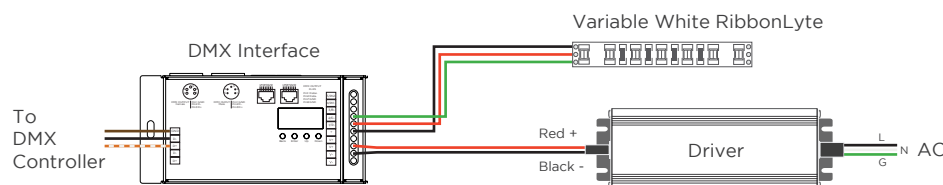
WARM DIM



2-CHANNEL VARIABLE WHITE DIMMING



DMX WIRING DIAGRAM - COMPATIBLE WITH ALL MODELS OF VARIABLE WHITE RIBBONLYTE



WIRE COLORS PER RIBBONLYTE COLOR

STATIC WHITE + STATIC COLOR

Red Wire (+) Positive
Black Wire (-) Negative

RGB

Black Wire (+) Positive
Red Wire (-) goes to Red Channel
Green Wire (-) goes to Green Channel
Blue Wire (-) goes to Blue Channel

RGBW/A

Black Wire (+) Positive
Red Wire (-) goes to Red Channel
Green Wire (-) goes to Green Channel
Blue Wire (-) goes to Blue Channel
White Wire (-) goes to White Channel

WARM DIM

Red Wire (-) goes to Warm White Channel
Blue Wire (-) goes to Cool White Channel
Black Wire (+) goes to Warm White Channel
Green Wire (+) goes to Cool White Channel

VARIABLE WHITE

Black Wire (+) Positive
Red Wire (-) goes to Warm White Channel
Green Wire (-) goes to Cool White Channel