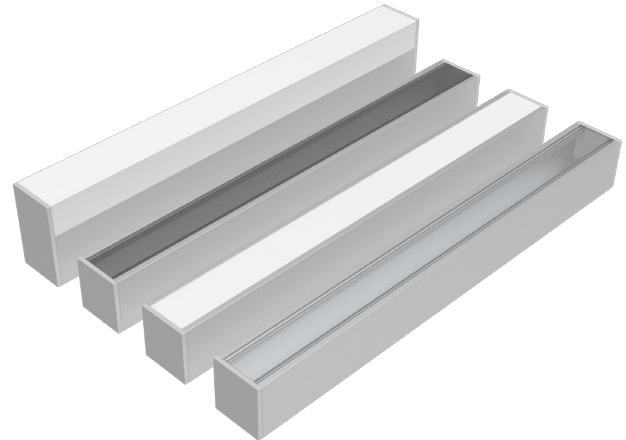


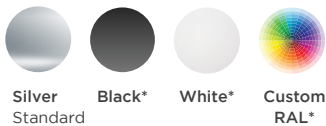
AS23 CHANNEL FIXTURE

AS23 is a surface mounted aluminum channel that offers the choice of clear, black or milky flat lens or a milky square lens. AS23 channel features a 100-degree beam angle and holds RibbonLyte with a maximum width of up to 0.79 in. (20 mm).

- Available for field assembly or factory assembly
- 0.91 in. (23 mm) wide by 0.99 in. (25.1 mm) deep, 1.59 in. (40.5 mm) deep with square lens
- 100° beam angle with clear, milky or black lens, 100°x150° with square milky lens
- Wattage range: 0.75 W/ft (2.46 W/m) to 8.8 W/ft (28.9 W/m)
- Static White delivered lumen range from 44 lm/ft (145 lm/m) up to 737 lm/ft (2417 lm/m)
- 180 degree coupler available
- Clear Lens, Milky Lens, Black Lens or Square Milky Lens

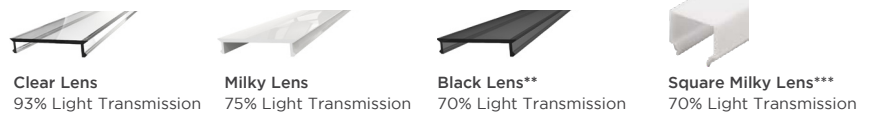


HOUSING FINISHES



*Additional fee applies

LENS FINISHES



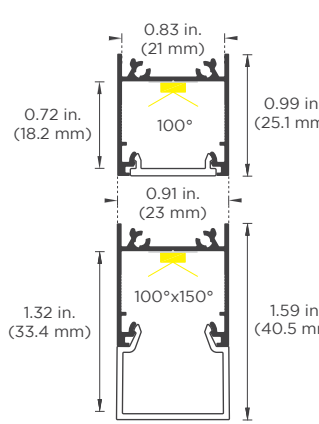
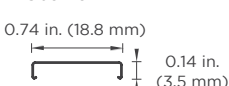
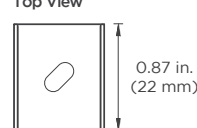
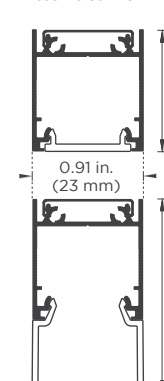
**Our black lens offers great diffusion and helps hide fixtures that aren't in use.

*** For interior applications only

AVAILABLE COLORS & COLOR TEMPERATURES



DIMENSIONS

AS23 Channel	Mounting Clip (included accessory)
 <p>Width: 0.91 in. (23 mm) Height: 0.99 in. (25.1 mm) Internal Width: 0.83 in. (21 mm) Internal Height: 0.72 in. (18.2 mm)</p> <p>Width: 0.91 in. (23 mm) Height: 1.59 in. (40.5 mm) Internal Width: 0.83 in. (21 mm) Internal Height: 1.32 in. (33.4 mm)</p>	<p>Material: stainless steel</p> <p>Side View</p>  <p>0.74 in. (18.8 mm) 0.14 in. (3.5 mm)</p> <p>Top View</p>  <p>0.87 in. (22 mm)</p> <p>Assembled View</p>  <p>0.99 in. (25.1 mm) 0.91 in. (23 mm) 1.59 in. (40.5 mm)</p> <p>Width: 0.91 in. (23 mm) Height: 0.99 in. (25.1 mm)</p> <p>Width: 0.91 in. (23 mm) Height: 1.59 in. (40.5 mm)</p> <p>Width: 0.74 in. (18.8 mm) Length: 0.87 in. (22 mm)</p> <p>Note:</p> <ol style="list-style-type: none"> 1. Magnetic mounting option available (see page 2) 2. Exterior channel applications should be securely attached to the mounting surface with appropriate screws and/or liquid nails. Acolyte strongly recommends field assembly for exterior applications. Use mounting clips for interior applications only. 3. Raised lens is for interior applications only

Acolyte does not warrant or represent that the information is free from errors or omission. The information may change without notice and Acolyte is not in any way liable for the accuracy of any information printed and stored or in any way interpreted or used.

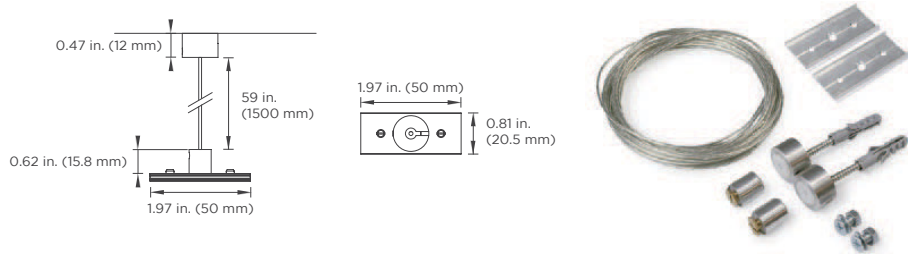
SPECIFICATIONS

Beam Angle	100° with Clear, Milky or Black Lens, 100°x150° with Square Milky Lens
Lens Type	Clear Lens, Milky Lens, Black Lens, Square Milky Lens
Length	Channel is sold by the foot and cut to your exact desired length. Required amount of mounting clips included.
Operating Voltage	24 V
Dimming	MLV / 0-10 Volt / ELV / DALI / DMX
Operating Temperature	-40 – 158 °F (-40 – 70 °C)
Colors	1800K, 2000K, 2200K, 2400K, 2700K, 3000K, 3500K, 4000K, 6000K, Red, Amber, Green, Blue, RGBA, RGBW, RGBWW, VW, Warm Dim (1800K, 2000K, 2200K, Pixel RGB only available in IP20)
CRI	90+ CRI (Static white only)
Lamp Life	L70 at 50,000 hours
MacAdam ellipse (SDCM)	1-Step Binning (For Static White LEDs only)
Certifications	UL Listed UL 2108 Issued: 2004/02/27 Ed: 1 Rev: 2014/02/24 Low Voltage Lighting Systems CSA C22.2#9.0 Issued: 1996/06/01 Ed: 1 (R2011) General Requirements for Luminaires; with Gen. Inst. 1: 1997, Gen Inst. 2: 1998. ROHS compliant

ACCESSORIES (SEE PART NUMBERS AT STEP 4 ON PAGE 3)

180° Coupler	End Cap (A) for channel with Flat Lens	End Cap (C) for channel with Square Milky Lens	Tilttable Stand
	<p>Material: ABS</p> <p>End Cap Options:</p> <ol style="list-style-type: none"> Use End Cap (A) for channel with Flat Lens Use End Cap (C) for channel with Square Milky Lens 	<p>Material: ABS</p>	<p>Assembled Heights:</p> <ul style="list-style-type: none"> Channel with Flat Lens: 1.85 in. (46.9 mm) Channel with Square Lens: 2.45 in. (62.3 mm)

Suspension Kit (Part #: AS23SUSKIT)



Magnetic Mount (Part #: CHMAG0.5)

Side View	Top View	Assembled View	Features:
		<p>With Flat Lens: 1.11 in. (28.3 mm)</p> <p>With Square Lens: 1.72 in. (43.7 mm)</p>	<ul style="list-style-type: none"> - High-energy neodymium magnets come attached to mounting clips with countersink hex nuts - Create easy-mount magnetic channels with minimal surface gaps; no tools or drilling necessary - Magnets rated for 8 lbs. of pull force with static load <p>Applications:</p> <ul style="list-style-type: none"> - Industrial lighting retrofits for troffers and other metal fixtures - Metal retail shelf lighting - Temporary light fixture installations

ORDERING GUIDE

STEP 1 Complete Channel Part Number

CHANNEL	LENS	HOUSING COLOR	END CAP
CHAS23			
CHAS23 - AS23 Channel	C - Clear Lens SM - Square Milky Lens* M - Milky Lens * For interior applications only BK - Black Lens	SV - Silver WH - White** BK - Black** ** Additional fee applies Consult factory for custom colors	A - End Cap for channel with Flat Lens C - End Cap for channel with Square Milky Lens

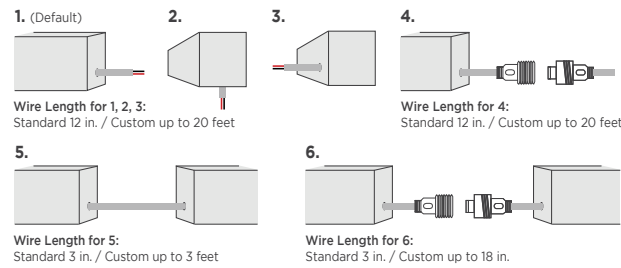
STEP 2 Complete RibbonLyte Part Number

CATEGORY	CRI	RIBBON TYPE & IP RATING		
RB				
RB - RibbonLyte	0 - Static Color, Color Changing 90 - 90+ CRI Static White	SWS220 - Static White Series 2 IP20 SWS265 - Static White Series 2 IP65 SWS268 - Static White Series 2 IP68 SCS220 - Static Color Series 2 IP20 SCS265 - Static Color Series 2 IP65 SCS268 - Static Color Series 2 IP68 XACTA20 - Xacta RibbonLyte IP20	LINEA20 - Linea RibbonLyte IP20 RGBWS220 - RGBW Series 2 IP20 RGBWS265 - RGBW Series 2 IP65 RGBWS268 - RGBW Series 2 IP68 RGBWW20 - RGBWW 5-in-1 IP20 RGBWADD - Addressable RGBW RGBADD - Pixel RGB IP20	VWS220 - VW Series 2 IP20 VWS265 - VW Series 2 IP65 VWS268 - VW Series 2 IP68 WD20 - Warm Dim IP20 WD65 - Warm Dim IP65 WD68 - Warm Dim IP68

NOTE: To ensure waterproofing standards are met, IP65 and IP68 RibbonLyte can NOT be cut in the field.

WATTAGE	COLOR
0.75 - 0.75 W/ft (2.46 W/m - Static White, Static Color)	18 - 1800K RGB27 - Red, Green, Blue + 2700K
1.0 - 1.0 W/ft (3.3 W/m - Variable White)	20 - 2000K RGB30 - Red, Green, Blue + 3000K
1.5 - 1.5 W/ft (4.9 W/m - Static White, Static Color, Variable White)	22 - 2200K RGB40 - Red, Green, Blue + 4000K
2.2 - 2.2 W/ft (7.2 W/m - Static White, Static Color)	24 - 2400K RGB2465 - Red, Green, Blue + 2400K + 6500K
2.4 - 2.4 W/ft (8 W/m - Static White Linea)	27 - 2700K RGBA - Red, Green, Blue + Amber
3.0 - 3.0 W/ft (9.8 W/m - Static White, Static Color, Variable White)	30 - 3000K RGBW30 - RGB + 3000K Addressable
4.3 - 4.3 W/ft (14 W/m - Static White Linea)	35 - 3500K RGBW40 - RGB + 4000K Addressable
4.4 - 4.4 W/ft (14.4 W/m - Static White, Static Color, RGBW, RGBWW, RGBA)	40 - 4000K RGBW60 - RGB + 6000K Addressable
4.5 - 4.5 W/ft (14.8 W/m - Static White, Variable White)	60 - 6000K RGBS - Pixel RGB (SPI)
5.0 - 5.0 W/ft (16.4 W/m - Static White, Static Color)	R - Red VW - Variable White
5.2 - 5.2 W/ft (17.1 W/m - Warm Dim)	A - Amber 2920 - Warm Dim 2900K - 2000K (IP20)
5.3 - 5.3 W/ft (17.5 W/m - Pixel RGB)	G - Green 2721 - Warm Dim 2700K - 2100K (IP65+IP68)
5.5 - 5.5 W/ft (18.0 W/m - RGBW, RGBA)	B - Blue Z - Undecided**
6.0 - 6.0 W/ft (19.7 W/m - Static White, Static Color, Variable White, RGBW Addressable)	
6.1 - 6.1 W/ft (20 W/m - Variable White Linea)	
8.8 - 8.8 W/ft (28.9 W/m - RGBW, RGBWW)	

CONNECTION OPTIONS (See diagrams on the right)	Custom Length (ft.)
1 - End Feed Bare Wire Connection 4 - End Feed with IP67 Male Coupler 2 - Back Feed Bare Wire Connection 5 - Soldered Daisy Chain 3 - Side Feed Bare Wire Connection 6 - Daisy Chain With IP67 Couplers	

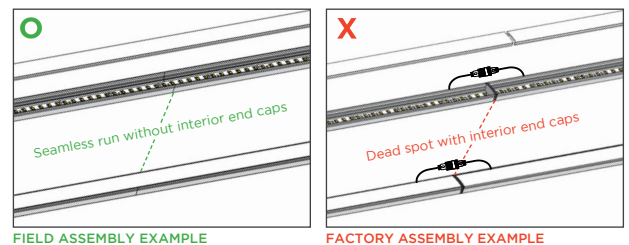


STEP 3 Complete Assembly Option & Length

ASSEMBLY OPTION	LENGTH (Standard factory assembled length up to 6 ft 6.7 in. / 2 m)
FI - Field Assembly	
FA - Factory Assembly* (not recommended for exterior applications)	

* Factory assembled runs exceeding 6 ft 6.7 in. (2 m) will be split into multiple daisy chained fixtures.

DO NOT BUTT END CAPS AGAINST EACH OTHER WHEN CREATING LONGER FIXTURES
 Acolyte STRONGLY SUGGESTS field assembly (without using interior end caps) for direct-view fixtures of more than 6 ft 6.7 in. (2 m) in length. Field assembly without interior end caps will eliminate gaps or dead spots that can be caused by butting interior end caps against each other.



STEP 4 Add Accessories

ACCESSORIES	
CHCOUP180AS23SV - 180° Coupler Silver	CHMAG0.5 - Magnetic Mount
TILTSTANDST - Tilttable Stand	AS23SUSKIT - Suspension Kit

RIBBONLYTE SPECIFICATIONS & COMPATIBILITY

Available Wattage	Cutttable Length	LED Pitch	Color Temp.	lm/W without Lens	Delivered Lumens								Max Length	Compatible with Channel		
					with Clear Lens		with Milky Lens		with Black Lens		with Square Lens			IP20	IP65	IP68
					lm/ft	lm/m	lm/ft	lm/m	lm/ft	lm/m	lm/ft	lm/m				
0.75 Static White Series 2	1.97 in. (50 mm)	48 LEDs/ft (160 LEDs/m)	1800K	84	59	192	47	155	44	145	44	145	IP20: 49 ft (15 m) IP65/IP68: 32.8 ft (10 m)	✓	✓	✓
			2000K	99	69	227	56	183	52	171	52	171				
			2200K	109	76	249	61	201	57	188	57	188				
			2400K	113	79	259	64	209	59	195	59	195				
			2700K	123	86	281	69	227	65	212	65	212				
			3000K	123	86	281	69	227	65	212	65	212				
			3500K	130	91	297	73	240	68	224	68	224				
			4000K	134	93	307	75	247	70	231	70	231				
6000K	131	91	300	74	242	69	226	69	226							
1.5 Static White Series 2	1.97 in. (50 mm)	48 LEDs/ft (160 LEDs/m)	1800K	84	117	384	95	310	88	289	88	289	IP20: 49 ft (15 m) IP65/IP68: 32.8 ft (10 m)	✓	✓	✓
			2000K	98	137	384	110	263	103	338	103	338				
			2200K	109	152	499	123	402	114	375	114	375				
			2400K	113	158	517	127	417	119	389	119	389				
			2700K	123	172	563	138	454	129	424	129	424				
			3000K	123	172	563	138	454	129	424	129	424				
			3500K	129	180	590	145	476	135	444	135	444				
			4000K	134	187	613	151	495	141	462	141	462				
6000K	131	183	600	147	484	138	451	138	451							
2.2 Static White Series 2	1.97 in. (50 mm)	48 LEDs/ft (160 LEDs/m)	1800K	83	170	557	137	449	128	419	128	419	IP20: 42 ft (12.8 m) IP65/IP68: 32.8 ft (10 m)	✓	✓	✓
			2000K	96	196	644	158	520	148	485	148	485				
			2200K	106	217	712	175	574	163	536	163	536				
			2400K	111	227	745	183	601	171	561	171	561				
			2700K	120	246	806	198	650	185	606	185	606				
			3000K	122	250	819	201	660	188	616	188	616				
			3500K	127	260	852	210	687	196	642	196	642				
			4000K	133	272	893	219	720	205	672	205	672				
6000K	128	262	859	211	693	197	647	197	647							
3.0 Static White Series 2	1.97 in. (50 mm)	48 LEDs/ft (160 LEDs/m)	1800K	84	234	769	189	620	176	579	176	579	IP20: 36 ft (11 m) IP65/IP68: 32.8 ft (10 m)	✓	✓	✓
			2000K	98	273	897	221	723	206	675	206	675				
			2200K	108	301	989	243	797	227	744	227	744				
			2400K	109.8	306	1005	247	811	231	756	231	756				
			2700K	122.9	343	1125	277	907	258	847	258	847				
			3000K	130	363	1190	293	960	273	896	273	896				
			3500K	133	371	1217	299	982	279	916	279	916				
			4000K	133	371	1217	299	982	279	916	279	916				
6000K	128	357	1172	288	945	269	882	269	882							
4.4 Static White Series 2	1.97 in. (50 mm)	48 LEDs/ft (160 LEDs/m)	1800K	81	331	1087	267	877	249	818	249	818	28 ft 4 in. (8.64 m)	✓	✓	✓
			2000K	95	389	1275	314	1029	293	960	293	960				
			2200K	105	430	1410	347	1137	323	1061	323	1061				
			2400K	109	446	1463	360	1180	336	1101	336	1101				
			2700K	122	499	1638	403	1321	376	1233	376	1233				
			3000K	129	528	1732	426	1397	397	1304	397	1304				
			3500K	132	540	1772	436	1429	407	1334	407	1334				
			4000K	132	540	1772	436	1429	407	1334	407	1334				
6000K	126	516	1692	416	1364	388	1273	388	1273							
5.0 Static White Series 2	1.4 in. (35.7 mm)	68 LEDs/ft (224 LEDs/m)	1800K	83	386	1266	311	1021	291	953	291	953	IP20: 33 ft 4 in. (10.1 m) IP65/IP68: 32.8 ft (10 m)	✓	✓	✓
			2000K	98	456	1495	368	1206	343	1125	343	1125				
			2200K	107	498	1632	401	1316	375	1229	375	1229				
			2400K	110	511	1675	412	1351	384	1261	384	1261				
			2700K	123	571	1875	461	1512	430	1411	430	1411				
			3000K	130	605	1983	488	1599	455	1493	455	1493				
			3500K	133	618	2029	499	1636	466	1527	466	1527				
			4000K	133	618	2029	499	1636	466	1527	466	1527				
6000K	127	591	1937	476	1562	445	1458	445	1458							
6.0 Static White Series 2	1.4 in. (35.7 mm)	68 LEDs/ft (224 LEDs/m)	1800K	82	458	1501	369	1211	344	1130	344	1130	28 ft (8.5 m)	✓	✓	✓
			2000K	95	530	1739	428	1403	399	1309	399	1309				
			2200K	106	591	1941	477	1565	445	1461	445	1461				
			2400K	109	608	1995	491	1609	458	1502	458	1502				
			2700K	122	681	2233	549	1801	512	1681	512	1681				
			3000K	129	720	2362	581	1905	542	1778	542	1778				
			3500K	132	737	2417	594	1949	554	1819	554	1819				
			4000K	132	737	2417	594	1949	554	1819	554	1819				
6000K	126	703	2307	567	1860	529	1736	529	1736							

RIBBONLYTE SPECIFICATIONS & COMPATIBILITY

Available Wattages	Cutttable Length	LED Pitch	Color Temp.	lm/W without Lens	Delivered Lumens								Max Length	Compatible with Channel		
					with Clear Lens		with Milky Lens		with Black Lens		with Square Lens			IP20	IP65	IP68
					lm/ft	lm/m	lm/ft	lm/m	lm/ft	lm/m	lm/ft	lm/m				
0.75 Static Color Series 2	1.97 in. (50 mm)	48 LEDs/ft (160 LEDs/m)	Red	41	29	94	23	76	22	71	22	71	IP20: 49 ft (15 m) IP65/IP68: 32.8 ft (10 m)	✓	✓	✓
			Green	175	122	400	98	323	92	301	92	301				
			Blue	19	13	43	11	35	10	33	10	33				
			Amber	34	24	78	19	63	18	59	18	59				
1.5 Static Color Series 2	1.97 in. (50 mm)	48 LEDs/ft (160 LEDs/m)	Red	42	59	192	47	155	44	145	44	145	IP20: 49 ft (15 m) IP65/IP68: 32.8 ft (10 m)	✓	✓	✓
			Green	160	223	732	180	591	168	551	168	551				
			Blue	18	25	82	20	66	19	62	19	62				
			Amber	34	47	156	38	128	36	117	36	117				
2.2 Static Color Series 2	1.97 in. (50 mm)	48 LEDs/ft (160 LEDs/m)	Red	42	86	282	69	227	65	212	65	212	IP20: 42 ft (12.8 m) IP65/IP68: 32.8 ft (10 m)	✓	✓	✓
			Green	145	297	973	239	785	223	733	223	733				
			Blue	18	37	121	30	97	28	91	28	91				
			Amber	34	70	228	56	184	52	172	52	172				
3.0 Static Color Series 2	1.97 in. (50 mm)	48 LEDs/ft (160 LEDs/m)	Red	40	112	366	90	295	84	276	84	276	32.8 ft (10 m)	✓	✓	✓
			Green	127	354	1162	286	937	267	875	267	875				
			Blue	25	70	229	56	185	53	172	53	172				
			Amber	29	81	265	65	214	61	200	61	200				
4.4 Static Color Series 2	1.97 in. (50 mm)	48 LEDs/ft (160 LEDs/m)	Red	38	155	510	125	411	117	384	117	384	29 ft (8.8 m)	✓	✓	✓
			Green	117	479	1571	386	1267	360	1182	360	1182				
			Blue	24	98	322	79	260	74	243	74	243				
			Amber	25	102	336	83	271	77	253	77	253				
5.0 Static Color Series 2	1.4 in. (35.7 mm)	68 LEDs/ft (224 LEDs/m)	Red	37	172	564	139	455	130	425	130	425	30 ft (9.14 m)	✓	✓	✓
			Green	116	539	1770	435	1427	406	1332	406	1332				
			Blue	24	112	366	90	295	84	276	84	276				
			Amber	26	121	397	98	320	91	299	91	299				
6.0 Static Color Series 2	1.4 in. (35.7 mm)	68 LEDs/ft (224 LEDs/m)	Red	37	206	677	167	546	155	510	155	510	28 ft (8.5 m)	✓	✓	✓
			Green	113	631	2069	509	1668	475	1557	475	1557				
			Blue	23	128	421	104	340	97	317	97	317				
			Amber	24	134	439	108	354	101	331	101	331				
2.4 Static White Linea	1.97 in. (50 mm)	146 LEDs/ft (480 LEDs/m)	2700K	67	149.7	491	120.8	396	112.7	369.6	112.7	369.6	21.3 ft (6.5 m)	✓	n/a	n/a
			3000K	71	158.1	519.9	127.5	419.3	119	391.3	119	391.3				
			3500K	83	185.1	608.2	149.3	490.5	139.3	457.8	139.3	457.8				
			4000K	83	185.1	608.2	149.3	490.5	139.3	457.8	139.3	457.8				
3.0 Static White Linea	1.97 in. (50 mm)	146 LEDs/ft (480 LEDs/m)	2700K	66	184.1	604.5	148.5	487.5	138.6	455	138.6	455	21.3 ft (6.5 m)	✓	n/a	n/a
			3000K	73	203.7	668.7	164.3	539.3	153.3	503.3	153.3	503.3				
			3500K	78	217.6	714.2	175.5	576	163.8	537.6	163.8	537.6				
			4000K	83	231.6	759.8	186.8	612.8	174.3	571.9	174.3	571.9				
4.3 Static White Linea	1.97 in. (50 mm)	146 LEDs/ft (480 LEDs/m)	2700K	75	300.4	983.9	242.3	793.5	226.1	740.6	226.1	740.6	24.6 ft (7.5 m)	✓	n/a	n/a
			3000K	78	311.6	1023	251.3	825	234.5	770	234.5	770				
			3500K	86	344.1	1129	277.5	910.5	259	849.8	259	849.8				
			4000K	86	344.1	1129	277.5	910.5	259	849.8	259	849.8				
6.1 Variable White Linea	1.09 in. (27.78 mm)	175 LEDs/ft (576 LEDs/m)	2700K + 6500K	95	539.4	1769	435	427.3	406	332.1	406	332.1	16.4 ft (5 m)	✓	n/a	n/a

RIBBONLYTE SPECIFICATIONS & COMPATIBILITY

Available Wattages	Cutttable Length	LED Pitch	Color Temp.	lm/W without Lens	Delivered Lumens								Max Length	Compatible with Channel		
					with Clear Lens		with Milky Lens		with Black Lens		with Square Lens			IP20	IP65	IP68
					lm/ft	lm/m	lm/ft	lm/m	lm/ft	lm/m	lm/ft	lm/m				
1.5 Static White Xacta	0.2 in. (5 mm)	61 LEDs/ft (200 LEDs/m)	1800K	71	110.2	361.6	83.9	275.1	83.9	275.1	89.9	294.8	32.74 ft (9.98 m)	✓	n/a	n/a
			2000K	84	130.1	426.8	99	324.7	99	324.7	106.1	347.9				
			2200K	92	142.7	468.3	108.6	356.3	108.6	356.3	116.4	381.7				
			2400K	96	148.2	486.1	112.7	369.8	112.7	369.8	120.8	396.2				
			2700K	109	168	551.3	127.9	419.4	127.9	419.4	137	449.4				
			3000K	113	175.3	575	133.4	437.5	133.4	437.5	142.9	468.7				
			3500K	117	180.7	592.8	137.5	451	137.5	451	147.3	483.2				
			4000K	115	177.1	580.9	134.7	442	134.7	442	144.4	473.6				
			6000K	112	173.5	569	132	433	132	433	141.4	463.9				
			3.0 Static White Xacta	0.2 in. (5 mm)	61 LEDs/ft (200 LEDs/m)	1800K	71	196.3	643.9	149.3	489.9	149.3				
2000K	84	231.6				760	176.2	578.3	176.2	578.3	188.8	619.6				
2200K	92	254.2				833.9	193.4	634.5	193.4	634.5	207.2	679.8				
2400K	95	263.8				865.6	200.7	658.6	200.7	658.6	215.1	705.7				
2700K	108	299.2				981.7	227.7	747	227.7	747	243.9	800.3				
3000K	113	312.1				1023.9	237.4	779.1	237.4	779.1	254.4	834.7				
3500K	116	321.7				1055.6	244.8	803.2	244.8	803.2	262.3	860.6				
4000K	114	315.3				1034.5	239.9	787.1	239.9	787.1	257	843.3				
6000K	111	308.9				1013.4	235	771.1	235	771.1	251.8	826.1				
4.5 Static White Xacta	0.2 in. (5 mm)	61 LEDs/ft (200 LEDs/m)				1800K	72	299.6	983	228	747.9	228	747.9	244.3	801.4	19.03 ft (5.8 m)
			2000K	85	353.7	1160.3	269.1	882.8	269.1	882.8	288.3	945.9				
			2200K	93	388	1273.1	295.2	968.6	295.2	968.6	316.3	1037.8				
			2400K	97	402.8	1321.4	306.5	1005.4	306.5	1005.4	328.3	1077.2				
			2700K	110	456.8	1498.7	347.6	1140.3	347.6	1140.3	372.4	1221.7				
			3000K	114	476.5	1563.1	362.5	1189.3	362.5	1189.3	388.4	1274.3				
			3500K	118	491.2	1611.5	373.7	1226.1	373.7	1226.1	400.4	1313.7				
			4000K	116	481.4	1579.2	366.3	1201.6	366.3	1201.6	392.4	1287.4				
			6000K	113	471.5	1547	358.8	1177.1	358.8	1177.1	384.4	1261.2				
			1.5 Variable White Xacta	0.2 in. (5 mm)	122 LEDs/ft (400 LEDs/m)	2400K + 6000K	138	189.06	620.36	143.85	472.01	143.9	472.0	154.1	505.7	
2400K + 6000K	136	371.13				1217.71	282.38	926.52	282.4	926.5	302.6	992.7				
3.0 Variable White Xacta	0.2 in. (5 mm)	122 LEDs/ft (400 LEDs/m)	2400K + 6000K	134	524.22	1719.76	398.86	1308.51	398.9	1308.5	427.4	1402.0	19.03 ft (5.8 m)	✓	n/a	n/a
			2400K + 6000K	134	524.22	1719.76	398.86	1308.51	398.9	1308.5	427.4	1402.0				
Variable White Series 2 1.0	1.97 in. (50 mm)	42 LEDs/ft (140 LEDs/m)	2000K + 6500K	85	79	259	64	209	60	195	60	195	32.8 ft (10 m)	✓	✓	✓
			2000K + 6500K	80	223	732	180	591	168	551	168	551				
Variable White Series 2 3.0	1.97 in. (50 mm)	42 LEDs/ft (140 LEDs/m)	2000K + 6500K	80	223	732	180	591	168	551	168	551	32.8 ft (10 m)	✓	✓	✓
			2000K + 6500K	75	419	1373	338	1107	315	1033	315	1033				
Variable White Series 2 6.0	1.97 in. (50 mm)	42 LEDs/ft (140 LEDs/m)	2000K + 6500K	75	419	1373	338	1107	315	1033	315	1033	19 ft 8 in. (6 m)	✓	✓	✓
			2000K + 6500K	75	419	1373	338	1107	315	1033	315	1033				
4.4 RGBW Series 2	1.97 in. (50 mm)	36 LEDs/ft (120 LEDs/m)	RGBW (all on)	45	188.1	617.2	148.5	487.2	138.6	454.7	138.6	454.7	19 ft 8 in. (6 m)	✓	n/a	n/a
			RGBW (all on)	45	188.1	617.2	148.5	487.2	138.6	454.7	138.6	454.7				
5.5 RGBW Series 2	1.97 in. (50 mm)	36 LEDs/ft (120 LEDs/m)	RGBW (all on)	59	308.8	1013	243.3	798.5	227.2	745.3	227.2	745.3	16 ft 4 in. (5 m)	n/a	✓	✓
			RGBW (all on)	59	308.8	1013	243.3	798.5	227.2	745.3	227.2	745.3				
8.8 RGBW Series 2	1.97 in. (50 mm)	36 LEDs/ft (120 LEDs/m)	RGBW (all on)	61	510.2	1673.8	402.6	1320.9	375.8	1232.9	375.8	1232.9	16 ft 4 in. (5 m)	✓	n/a	n/a
			RGBW (all on)	61	510.2	1673.8	402.6	1320.9	375.8	1232.9	375.8	1232.9				
4.4 5-in-1 RGBWW	2.46 in. (62.5 mm)	29 LED/ft (96 LED/m)	RGBWW (all on)	59	241.4	792.1	194.7	638.8	181.7	308	181.7	308	16 ft 4 in (5 m)	✓	n/a	n/a
			RGBWW (all on)	59	241.4	792.1	194.7	638.8	181.7	308	181.7	308				
8.8 5-in-1 RGBWW	2.46 in. (62.5 mm)	29 LED/ft (96 LED/m)	RGBWW (all on)	50	409.2	1342.6	330	1082.7	596.2	1010.5	596.2	1010.5	11 ft 6 in (3.5 m)	✓	n/a	n/a
			RGBWW (all on)	50	409.2	1342.6	330	1082.7	596.2	1010.5	596.2	1010.5				
RGBW Addressable	3.94 in. (100 mm)	18 LEDs/ft (60 LEDs/m)	Red	33.5	30.8	101.2	23.5	77.1	23.5	77	25.1	82.5	16 ft 5.64 in. (5.02 m)	n/a	n/a	✓ IP67
			Green	82	75.4	247.5	57.4	188.3	57.4	188.3	61.5	201.8				
			Blue	15.5	14.2	46.7	10.8	35.6	10.8	35.6	11.6	38.1				
			White	103	94.8	310.9	72.1	236.6	72.1	236.6	77.3	253.5				
			All	40	222.8	730.8	169.5	556.1	169.5	556.1	181.6	595.8				
5.3 Pixel RGB	3.94 in. (100 mm)	18 LEDs/ft (60 LEDs/m)	RGB (all on)	21	115.785	379.44	93.375	306	87.15	285.6	87.15	285.6	24 ft 7.2 in. (7.5 m)	✓	n/a	n/a
5.2 Warm Dim	3.94 in. (100 mm)	36 LEDs/ft (120 LEDs/m)	WARM DIM	55	266	873	200	657	200	657	200	657	16 ft 4 in. (5 m)	✓	✓	✓

DIODE VISIBILITY CHART (Data below applies to installations with Milky lens only)

No Visible Diode = N				With Visible Diode = Y							
Note: Linea RibbonLyte has no visible diode											
Static White & Static Color Series 2 0.75/1.5/2.2/3.0/4.4/5.0/6.0		Static White & Static Color Xacta 1.5/3.0/4.5		RGBW & RGBA Series 2 4.4/8.8		5-in-1 RGBWW 4.4	5-in-1 RGBWW 8.8	Pixel RGB 5.3	RGBW Addressable 6.0	Variable White Series 2 1.0/3.0/6.0	Warm Dim 5.2
IP20/IP65/IP68		IP20		IP20	IP65/IP68	IP20	IP20	IP20	IP67	IP20/IP65/IP68	IP20/IP65/IP68
N		N		N	N	N	N	N	N	N	N

AVAILABLE DRIVERS / CONTROLLERS AND DIMMING OPTIONS / WIRE GAUGE CHART

NON-DIMMING ELECTRONIC DRIVERS			0-10V/ELV/MLV 3-IN-1		ELV	0-10V VW/WD	
<p>30W, 60W, 96W Non-Dimming Electronic Class 2 Drivers</p> <p>Part No.:</p> <ul style="list-style-type: none"> • DRVW2430 (30 W) • DRVW2460 (60 W) • DRVW2496 (96 W) <p>24 VDC 120-277 VAC IP65, dry/damp locations UL Listed</p>	<p>240W, 320W Non-Dimming Electronic Drivers</p> <p>Part No.:</p> <ul style="list-style-type: none"> • DRVW24240 (240 W) • DRVW24320 (320 W) <p>24 VDC 90-305 VAC IP65, dry/damp locations UL Recognized</p>	<p>60W, 96W Non-Dimming Compact Drivers</p> <p>Part No.:</p> <ul style="list-style-type: none"> • DRV2460C (60 W) • DRV2496C (96 W) <p>24 VDC 120-277 VAC IP20, dry locations UL Class P</p>	<p>60W, 96W, 288W 0-10V/ELV/MLV 3-in-1 Dimmable Drivers</p> <p>Part No.:</p> <ul style="list-style-type: none"> • DRVW2460TRI010 (60 W) • DRVW2496TRI010 (96 W) • DRVW24288TRI010 (288 W) <p>24 VDC 120-277 VAC IP65, dry/damp/wet locations UL Listed</p>	<p>60W Dimmable Driver</p> <p>Part No.:</p> <ul style="list-style-type: none"> • DRVW2460ELV <p>24 VDC 100-130 VAC Fits in single-gang switch boxes IP20, dry locations UL Recognized</p>	<p>0-10V Dimmable 90W VW/WD Driver</p> <p>Part No.:</p> <ul style="list-style-type: none"> • DRVRFWDVW2490120 <p>24 VDC 100-277 VAC IP23, dry/damp locations UL Listed</p>		
ATHENA WIRELESS COMPATIBLE		CASAMBI COMPATIBLE DRIVERS		DIMMABLE DALI-2 DRIVERS		DIMMABLE DALI-2 DRIVERS	
<p>94W Athena Wireless Compatible Drivers</p> <p>Part No.:</p> <ul style="list-style-type: none"> • DRVW2494ATH1CH (1 channel) • DRVW2494ATH2CH (2 channel) <p>24 VDC 100-277 VAC Dry locations UL Listed</p>	<p>100W & 200W Casambi Compatible 4 Channel Drivers</p> <p>Part No.:</p> <ul style="list-style-type: none"> • DRVW24100CAS4CH (100 W) • DRVW24200CAS4CH (200 W) <p>24 VDC 100-277 VAC IP66, dry/damp/wet locations UL Listed, CE, RoHS, Bluetooth, CASAMBI</p>	<p>96W DIMMABLE DALI-2 DT6 D4I & DALI-2 DT8 D4I DRIVERS</p> <p>Part No.:</p> <ul style="list-style-type: none"> • DRVW2496DALI1CH (1 channel) • DRVW2496DALI2CH (2 channel) <p>24-26 VDC 120-277 VAC IP67, dry/damp/wet locations UL Listed</p>	<p>75W, 150W, 240W DALI-2 Dimmable Drivers</p> <p>Part No.:</p> <ul style="list-style-type: none"> • DRVW2475DALI1CH (75 W, 1 channel) • DRVW24150DALI1CH (150 W, 1 channel) • DRVW24240DALI1CH (240 W, 1 channel) • DRV24150DALI2CH (150 W, 2 channels) • DRV24150DALI4CH (150 W, 4 channels) <p>24 VDC 120-277 VAC IP67, damp/wet locations (1-channel drivers only) IP20, dry location (2-channel & 4-channel drivers only) CE, RoHS, SELV</p>				

DMX CONTROLLERS, VARIABLE WHITE DIMMER, WARM DIM DIMMER - FOR COLOR CHANGING FIXTURES

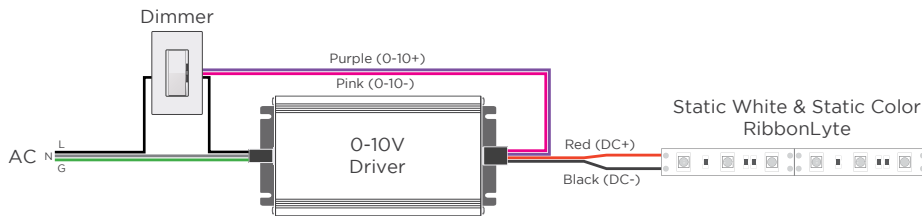
<p>GLASS TOUCH WALL CONTROLLERS</p> <p>Part No.:</p> <ul style="list-style-type: none"> • AWCRGBWBK • AWCVWBK 	<p>1 ZONE WALL CONTROLLER</p> <p>Part No.: DMXCTRLG</p>	<p>5 ZONE WALL CONTROLLER</p> <p>Part No.: DMXCTRL</p>	<p>10 ZONE WALL CONTROLLER</p> <p>Part No.: DMXCTRLD</p>	<p>6 UNIVERSE DMX CONTROLLER</p> <p>Part No.: DMXCTRLDR6U</p>
<p>VARIABLE WHITE DIMMER</p> <p>Part No.:</p> <ul style="list-style-type: none"> • RFDIMVWWH (White) • RFDIMVWBK (Black) 	<p>WARM DIM DIMMER</p> <p>Part No.:</p> <ul style="list-style-type: none"> • RFDIMWDWH (White) • RFDIMWDBK (Black) 	<p>4 CHANNEL WATERPROOF DMX INTERFACE</p> <p>Part No.: DMXINFWLCD4</p>	<p>5 CHANNEL DMX DECODER</p> <p>Part No.: DMXINF5</p>	<p>DMX OPTO SPLITTER</p> <p>Part No.: DMXOS8</p>

DRIVER AND RIBBONLYTE AT FULL LOAD

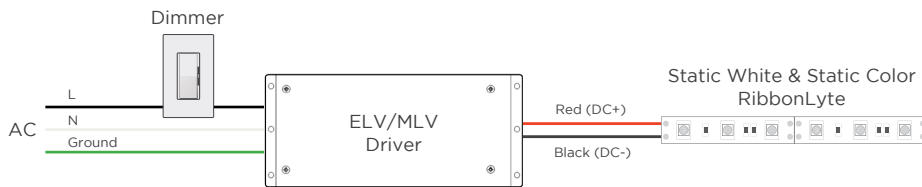
Wattages	30		60		96		150		200		240		300		320	
	Feet	Meters	Feet	Meters	Feet	Meters	Feet	Meters	Feet	Meters	Feet	Meters	Feet	Meters	Feet	Meters
24 AWG / 0.25 mm ²	14	4.27	9	2.74	5.5	1.68	3.75	1.14	2.75	0.84	2.25	0.69	1.75	0.53	1.75	0.53
22 AWG / 0.34 mm ²	22	6.71	14	4.27	9	2.74	5.75	1.75	4.5	1.37	3.5	1.07	2.75	0.84	2.75	0.84
20 AWG / 0.5 mm ²	35	10.67	23	7.01	14	4.27	9	2.74	7	2.13	5.75	1.75	4.5	1.37	4.25	1.30
18 AWG / 0.75 mm ²	56	17.07	37	11.28	23	7.01	15	4.57	11	3.35	9	2.74	7.5	2.29	7	2.13
16 AWG / 1.5 mm ²	90	27.44	60	18.29	37	11.28	24	7.32	18	5.49	15	4.57	12	3.66	11	3.35
14 AWG / 2.5 mm ²	142	43.29	95	28.96	59	17.99	38	11.59	28	8.54	23	7.01	19	5.79	17	5.18
12 AWG / 4 mm ²	226	68.90	151	46.04	94	28.66	60	18.29	45	13.72	37	11.28	30	9.15	28	8.54
10 AWG / 6 mm ²	360	109.76	240	73.17	150	45.73	96	29.27	72	21.95	60	18.29	48	14.63	45	13.72
8 AWG / 10 mm ²	574	175.00	381	116.16	239	72.87	153	46.65	115	35.06	95	28.96	76	23.17	71	21.65

WIRING DIAGRAMS - STATIC WHITE / STATIC COLOR / RGBW / RGBA / RGBWW

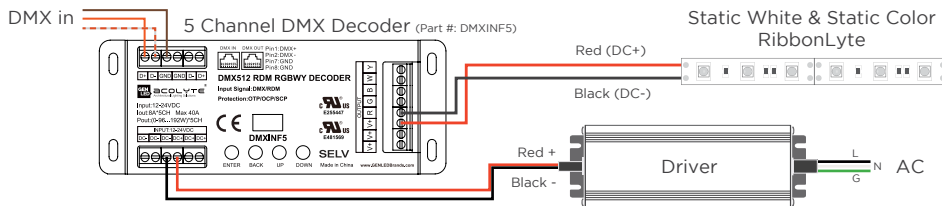
0-10 V



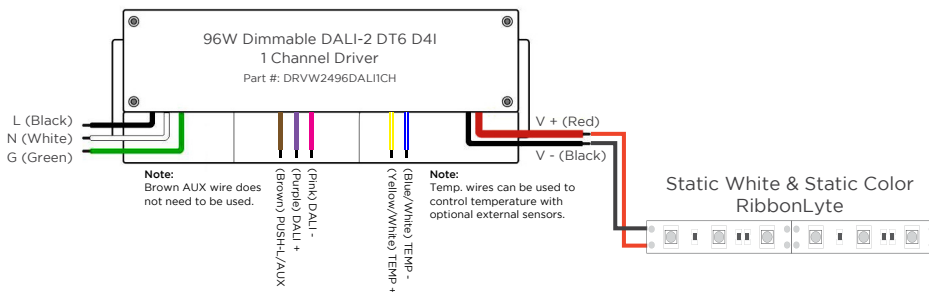
MLV / ELV



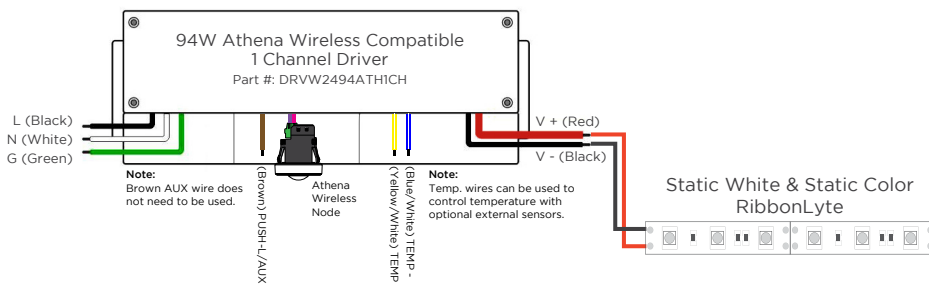
DMX WIRING WITH STATIC WHITE & STATIC COLOR RIBBONLYTE



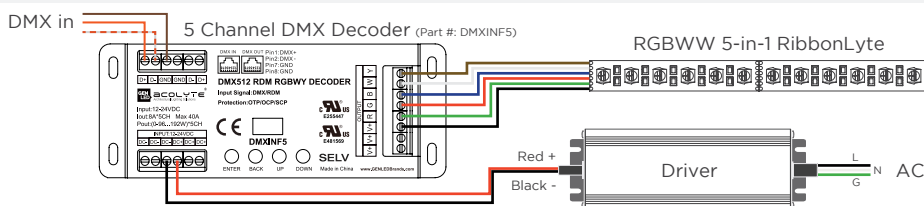
DALI-2 WIRING WITH STATIC WHITE & STATIC COLOR RIBBONLYTE



STATIC WHITE & STATIC COLOR RIBBONLYTE WIRING WITH ATHENA WIRELESS COMPATIBLE DRIVER



DMX WITH RGBWW 5-IN-1 RIBBONLYTE



WIRE COLORS PER RIBBONLYTE COLOR

STATIC WHITE + STATIC COLOR

Red Wire (+) Positive
Black Wire (-) Negative

RGBW + RGBA

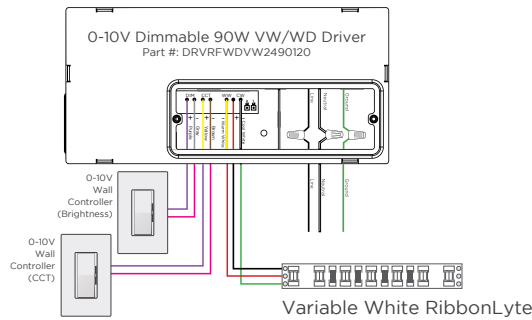
Black Wire (+) Positive
Green Wire (-) goes to Green Channel
Red Wire (-) goes to Red Channel
Blue Wire (-) goes to Blue Channel
White Wire (-) goes to White Channel

RGBWW

Black (+) Positive
Green Wire (-) goes to Green Channel
Red Wire (-) goes to Red Channel
Blue Wire (-) goes to Blue Channel
White Wire (-) goes to White Channel 1
Brown Wire (-) goes to White Channel 2

WIRING DIAGRAMS - VARIABLE WHITE

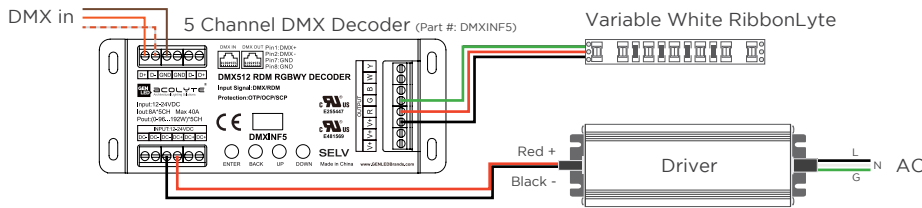
2-CHANNEL VARIABLE WHITE DIMMING



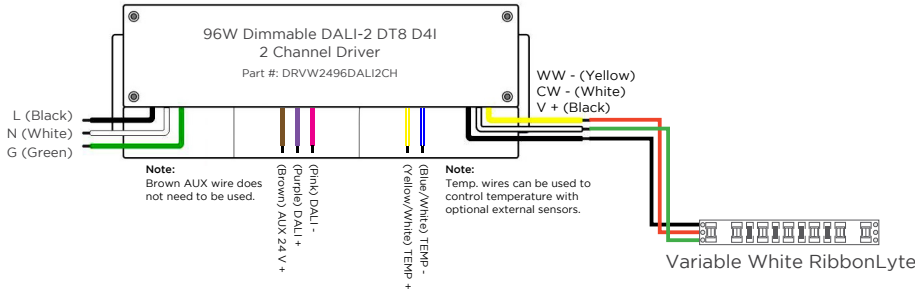
WIRE COLORS PER RIBBONLYTE COLOR

VARIABLE WHITE
Black Wire (+) Positive
Red Wire (-) goes to Warm White Channel
Green Wire (-) goes to Cool White Channel

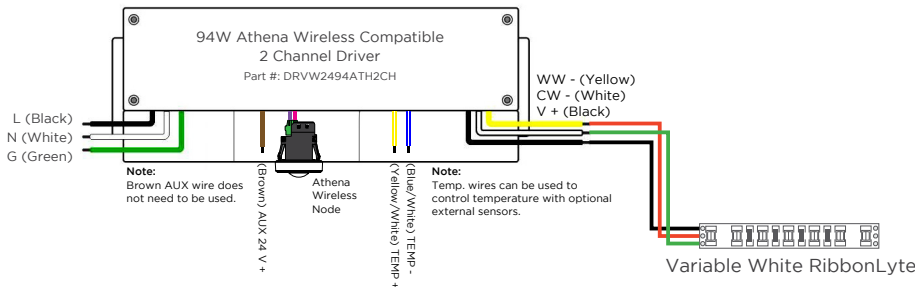
DMX WIRING WITH VARIABLE WHITE RIBBONLYTE



DALI-2 WIRING WITH VARIABLE WHITE RIBBONLYTE



VARIABLE WHITE RIBBONLYTE WIRING WITH ATHENA WIRELESS COMPATIBLE DRIVER



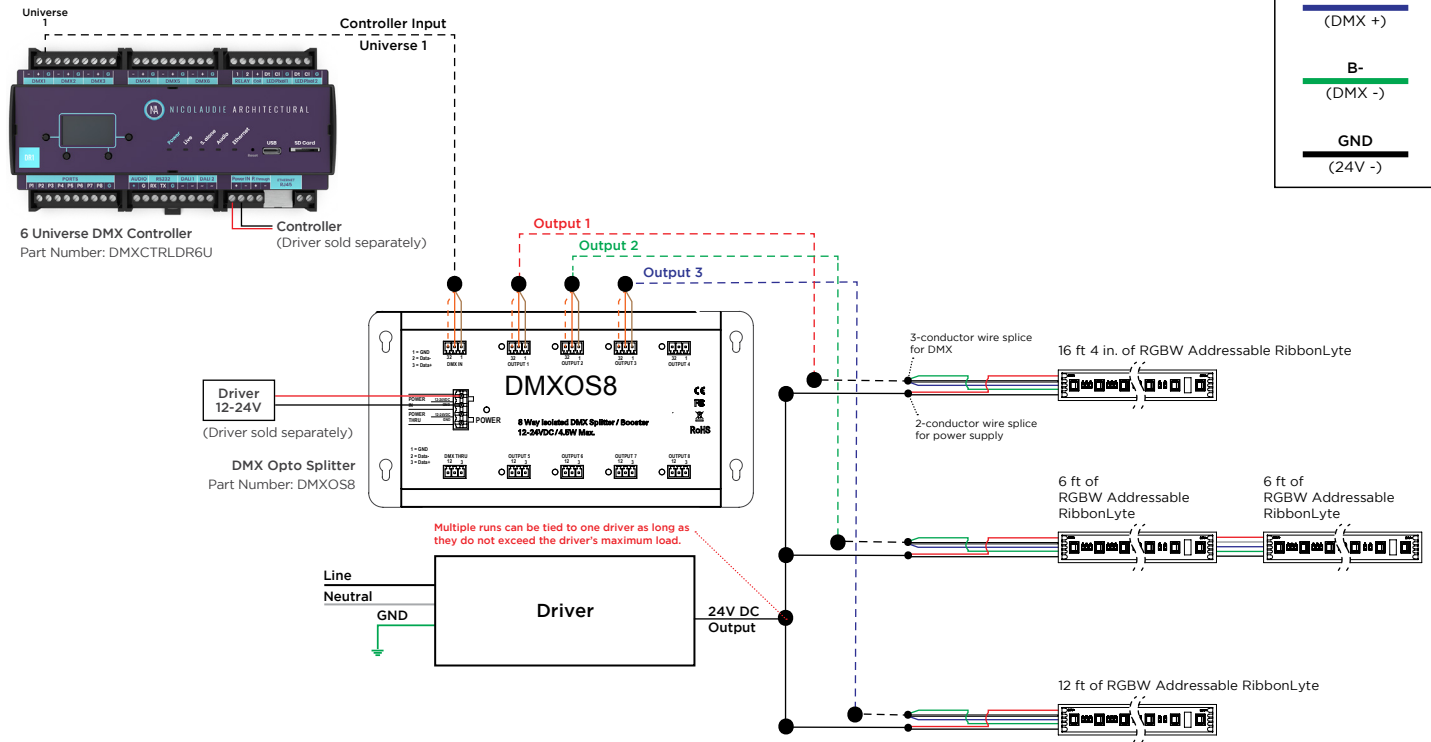
WIRING DIAGRAMS WITH RGBW ADDRESSABLE RIBBONLYTE

One DMX Universe consists of 128 addresses and 512 channels (42 ft / 12.8 m of RibbonLyte).

Any single run of RibbonLyte that is less than 16 ft, 4 in. can be wired directly to the controller.

For additional runs, Opto Splitter must be used. Each individual run will need its own Opto Splitter output.

WIRE INDEX	
+	(24V +)
PI	(DMX GND)
A+	(DMX +)
B-	(DMX -)
GND	(24V -)



REV.08MAY2026

GLOBAL HQ

320 Murray Hill Pkwy
East Rutherford, NJ 07073
U.S.
T: (+1) 212 629 6830
E: Sales-US@GENLEDBrands.com

EUROPEAN HQ

Hogeweyselaan 119
1382 JK Weesp
Netherlands
T: (+31) 346 235 000
E: SalesEurope@GENLEDBrands.com

MEINA HQ

PO Box 371378, #823, Building 4EA
Dubai Airport Free Zone
Dubai, UAE
T: (+971) 4 701 7901
E: SalesMEINA@genledbrands.com

ASIA-PACIFIC HQ

Room 402, Building D
Shenshi Tongchuang Science and Technology Park
No. 16 Hongyin Road
Xingqiang Community, Xihu Street
Guangming District, Shenzhen, China 518107
T: (+86) 755 8529 0710
E: Sales-Pacific@GENLEDBrands.com