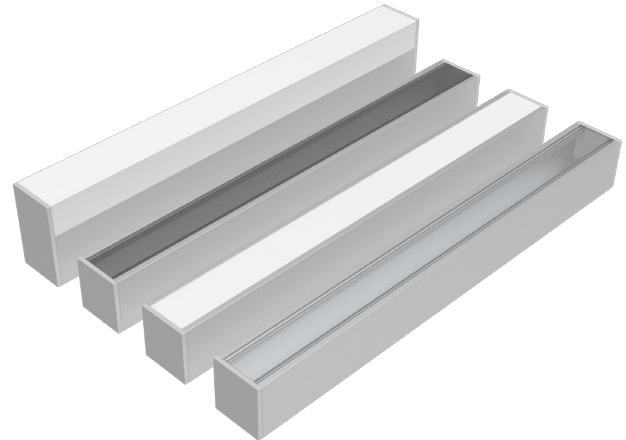


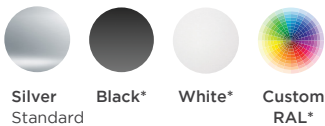
### AS23 CHANNEL FIXTURE

AS23 is a surface mounted aluminum channel that offers the choice of clear, black or milky flat lens or a milky square lens. AS23 channel features a 100-degree beam angle and holds RibbonLyte with a maximum width of up to 0.79 in. (20 mm).

- Available for field assembly or factory assembly
- 0.91 in. (23 mm) wide by 0.99 in. (25.1 mm) deep, 1.59 in. (40.5 mm) deep with square lens
- 100° beam angle with clear, milky or black lens, 100°x150° with square milky lens
- Wattage range: 0.75 W/ft (2.46 W/m) to 8.8 W/ft (28.9 W/m)
- Static White delivered lumen range from 44 lm/ft (145 lm/m) up to 737 lm/ft (2417 lm/m)
- 180 degree coupler available
- Clear Lens, Milky Lens, Black Lens or Square Milky Lens

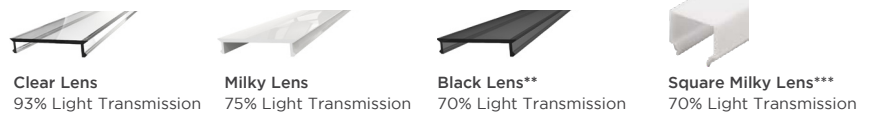


### HOUSING FINISHES



\*Additional fee applies

### LENS FINISHES

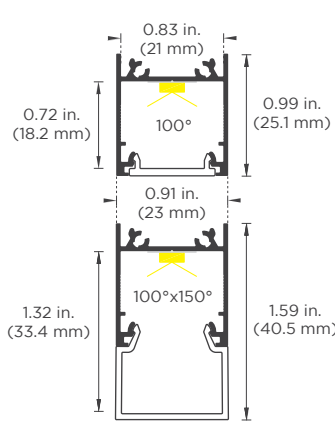
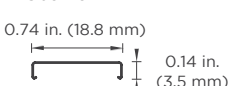
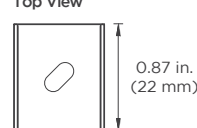
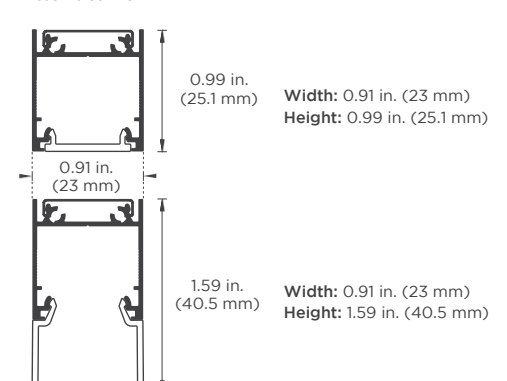


\*\*Our black lens offers great diffusion and helps hide fixtures that aren't in use.  
\*\*\* For interior applications only

### AVAILABLE COLORS & COLOR TEMPERATURES



### DIMENSIONS


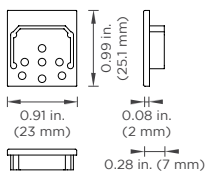
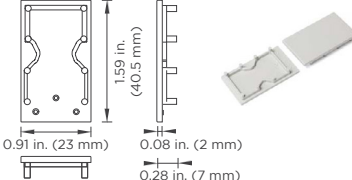
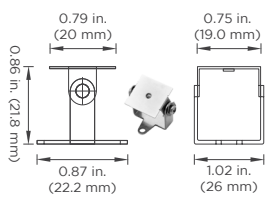
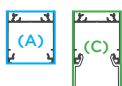
| AS23 Channel   | Mounting Clip (included accessory)   |
|--|--|
|  <p><b>Width:</b> 0.91 in. (23 mm)<br/><b>Height:</b> 0.99 in. (25.1 mm)<br/><b>Internal Width:</b> 0.83 in. (21 mm)<br/><b>Internal Height:</b> 0.72 in. (18.2 mm)</p> <p><b>Width:</b> 0.91 in. (23 mm)<br/><b>Height:</b> 1.59 in. (40.5 mm)<br/><b>Internal Width:</b> 0.83 in. (21 mm)<br/><b>Internal Height:</b> 1.32 in. (33.4 mm)</p> | <p>Material: stainless steel</p> <p><b>Side View</b></p>  <p><b>Top View</b></p>  <p><b>Assembled View</b></p>  <p><b>Width:</b> 0.74 in. (18.8 mm)<br/><b>Length:</b> 0.87 in. (22 mm)</p> <p><b>Width:</b> 0.91 in. (23 mm)<br/><b>Height:</b> 0.99 in. (25.1 mm)</p> <p><b>Width:</b> 0.91 in. (23 mm)<br/><b>Height:</b> 1.59 in. (40.5 mm)</p> |
|  | <p><b>Note:</b></p> <ol style="list-style-type: none"> <li>1. <b>Magnetic mounting</b> option available (see page 2)</li> <li>2. <b>Exterior channel applications</b> should be securely attached to the mounting surface with appropriate screws and/or liquid nails. Acolyte strongly recommends field assembly for exterior applications. Use mounting clips for interior applications only.</li> <li>3. <b>Raised lens</b> is for interior applications only</li> </ol>  |

Acolyte does not warrant or represent that the information is free from errors or omission. The information may change without notice and Acolyte is not in any way liable for the accuracy of any information printed and stored or in any way interpreted or used.


**SPECIFICATIONS**

|                               |  |
|-------------------------------|--|
| <b>Beam Angle</b>             | 100° with Clear, Milky or Black Lens, 100°x150° with Square Milky Lens   |
| <b>Lens Type</b>              | Clear Lens, Milky Lens, Black Lens, Square Milky Lens  |
| <b>Length</b>                 | Channel is sold by the foot and cut to your exact desired length. Required amount of mounting clips included.  |
| <b>Operating Voltage</b>      | 24 V   |
| <b>Dimming</b>                | MLV / 0-10 Volt / ELV / DALI / DMX   |
| <b>Operating Temperature</b>  | -40 – 158 °F (-40 – 70 °C)   |
| <b>Colors</b>                 | 1800K, 2000K, 2200K, 2400K, 2700K, 3000K, 3500K, 4000K, 6000K, Red, Amber, Green, Blue, RGBA, RGBW, RGBWW, VW, Warm Dim (1800K, 2000K, 2200K, Pixel RGB only available in IP20)  |
| <b>CRI</b>                    | 90+ CRI (Static white only)  |
| <b>Lamp Life</b>              | L70 at 50,000 hours  |
| <b>MacAdam ellipse (SDCM)</b> | 1-Step Binning (For Static White LEDs only)  |
| <b>Certifications</b>         | UL Listed UL 2108 Issued: 2004/02/27 Ed: 1 Rev: 2014/02/24 Low Voltage Lighting Systems CSA C22.2#9.0 Issued: 1996/06/01 Ed: 1 (R2011) General Requirements for Luminaires; with Gen. Inst. 1: 1997, Gen Inst. 2: 1998. ROHS compliant |

**ACCESSORIES (SEE PART NUMBERS AT STEP 4 ON PAGE 3)**

| 180° Coupler   | End Cap (A)<br>for channel with Flat Lens   | End Cap (C)<br>for channel with Square Milky Lens  | Tiltable Stand   |
|--|---|--|--|
|  <p>1.97 in. (50 mm)<br/>0.81 in. (20.5 mm)</p> | <p>Material: ABS</p>  <p>0.91 in. (23 mm)<br/>0.99 in. (25.1 mm)<br/>0.08 in. (2 mm)<br/>0.28 in. (7 mm)</p> | <p>Material: ABS</p>  <p>1.59 in. (40.5 mm)<br/>0.91 in. (23 mm)<br/>0.08 in. (2 mm)<br/>0.28 in. (7 mm)</p> |  <p>0.79 in. (20 mm)<br/>0.75 in. (19.0 mm)<br/>0.86 in. (21.8 mm)<br/>0.87 in. (22.2 mm)<br/>1.02 in. (26 mm)</p> <p><b>Assembled Heights:</b><br/>Channel with Flat Lens: 1.85 in. (46.9 mm)<br/>Channel with Square Lens: 2.45 in. (62.3 mm)</p> |
|  | <p><b>End Cap Options:</b></p> <ol style="list-style-type: none"> <li>1. Use End Cap (A) for channel with Flat Lens</li> <li>2. Use End Cap (C) for channel with Square Milky Lens</li> </ol>   |    |  |

**Magnetic Mount (Part #: CHMAG0.5)**



**Side View**  
0.5 in. (12.7 mm)  
0.125 in. (3.175 mm)

**Top View**  
Ø 0.2 in. (5.08 mm)

**Assembled View**

**With Flat Lens:**  
1.11 in. (28.3 mm)

**With Square Lens:**  
1.72 in. (43.7 mm)

**Features:**

- High-energy neodymium magnets come attached to mounting clips with countersink hex nuts
- Create easy-mount magnetic channels with minimal surface gaps; no tools or drilling necessary
- Magnets rated for 8 lbs. of pull force with static load

**Applications:**

- Industrial lighting retrofits for troffers and other metal fixtures
- Metal retail shelf lighting
- Temporary light fixture installations

ORDERING GUIDE

**STEP 1** Complete Channel Part Number

| CHANNEL               | LENS  | HOUSING COLOR   | END CAP  |
|-----------------------|---|---|--|
| <b>CHAS23</b>         |   |   |  |
| CHAS23 - AS23 Channel | <b>C</b> - Clear Lens <b>SM</b> - Square Milky Lens*<br><b>M</b> - Milky Lens    * For interior applications only<br><b>BK</b> - Black Lens | <b>SV</b> - Silver <b>WH</b> - White**<br><b>BK</b> - Black**<br>** Additional fee applies<br>Consult factory for custom colors | <b>A</b> - End Cap for channel with Flat Lens<br><b>C</b> - End Cap for channel with Square Milky Lens |

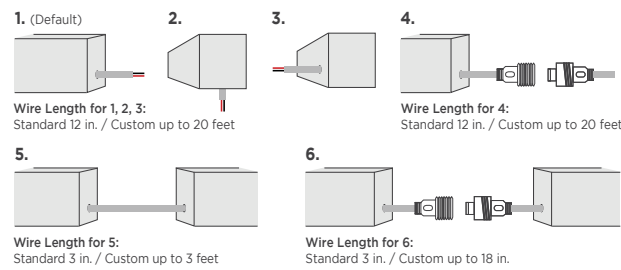
**STEP 2** Complete RibbonLyte Part Number

| CATEGORY        | CRI   | RIBBON TYPE & IP RATING  |   |   |
|-----------------|---|--|---|---|
| <b>RB</b>       |   |  |   |   |
| RB - RibbonLyte | <b>0</b> - Static Color, Color Changing<br><b>90</b> - 90+ CRI Static White | <b>SWS220</b> - Static White Series 2 IP20<br><b>SWS265</b> - Static White Series 2 IP65<br><b>SWS268</b> - Static White Series 2 IP68<br><b>SCS220</b> - Static Color Series 2 IP20<br><b>SCS265</b> - Static Color Series 2 IP65<br><b>SCS268</b> - Static Color Series 2 IP68<br><b>XACTA20</b> - Xacta RibbonLyte IP20 | <b>LINEA20</b> - Linea RibbonLyte IP20<br><b>RGBWS220</b> - RGBW Series 2 IP20<br><b>RGBWS265</b> - RGBW Series 2 IP65<br><b>RGBWS268</b> - RGBW Series 2 IP68<br><b>RGBWW20</b> - RGBWW 5-in-1 IP20<br><b>RGBWADD</b> - Addressable RGBW<br><b>RGBADD</b> - Pixel RGB IP20 | <b>VWS220</b> - VW Series 2 IP20<br><b>VWS265</b> - VW Series 2 IP65<br><b>VWS268</b> - VW Series 2 IP68<br><b>WD20</b> - Warm Dim IP20<br><b>WD65</b> - Warm Dim IP65<br><b>WD68</b> - Warm Dim IP68 |

**NOTE:** To ensure waterproofing standards are met, IP65 and IP68 RibbonLyte can NOT be cut in the field.

| WATTAGE  | COLOR   |
|--|---|
| 0.75 - 0.75 W/ft (2.46 W/m - Static White, Static Color)                                 | <b>18</b> - 1800K <b>RGB27</b> - Red, Green, Blue + 2700K           |
| 1.0 - 1.0 W/ft (3.3 W/m - Variable White)  | <b>20</b> - 2000K <b>RGB30</b> - Red, Green, Blue + 3000K           |
| 1.5 - 1.5 W/ft (4.9 W/m - Static White, Static Color, Variable White)                    | <b>22</b> - 2200K <b>RGB40</b> - Red, Green, Blue + 4000K           |
| 2.2 - 2.2 W/ft (7.2 W/m - Static White, Static Color)                                    | <b>24</b> - 2400K <b>RGB2465</b> - Red, Green, Blue + 2400K + 6500K |
| 2.4 - 2.4 W/ft (8 W/m - Static White Linea)  | <b>27</b> - 2700K <b>RGBA</b> - Red, Green, Blue + Amber            |
| 3.0 - 3.0 W/ft (9.8 W/m - Static White, Static Color, Variable White)                    | <b>30</b> - 3000K <b>RGBW30</b> - RGB + 3000K Addressable           |
| 4.3 - 4.3 W/ft (14 W/m - Static White Linea)   | <b>35</b> - 3500K <b>RGBW40</b> - RGB + 4000K Addressable           |
| 4.4 - 4.4 W/ft (14.4 W/m - Static White, Static Color, RGBW, RGBWW, RGBA)                | <b>40</b> - 4000K <b>RGBW60</b> - RGB + 6000K Addressable           |
| 4.5 - 4.5 W/ft (14.8 W/m - Static White, Variable White)                                 | <b>60</b> - 6000K <b>RGBS</b> - Pixel RGB (SPI)                     |
| 5.0 - 5.0 W/ft (16.4 W/m - Static White, Static Color)                                   | <b>R</b> - Red <b>VW</b> - Variable White                           |
| 5.2 - 5.2 W/ft (17.1 W/m - Warm Dim)   | <b>A</b> - Amber <b>2920</b> - Warm Dim 2900K - 2000K (IP20)        |
| 5.3 - 5.3 W/ft (17.5 W/m - Pixel RGB)  | <b>G</b> - Green <b>2721</b> - Warm Dim 2700K - 2100K (IP65+IP68)   |
| 5.5 - 5.5 W/ft (18.0 W/m - RGBW, RGBA)   | <b>B</b> - Blue <b>Z</b> - Undecided**                              |
| 6.0 - 6.0 W/ft (19.7 W/m - Static White, Static Color, Variable White, RGBW Addressable) |   |
| 6.1 - 6.1 W/ft (20 W/m - Variable White Linea)   |   |
| 8.8 - 8.8 W/ft (28.9 W/m - RGBW, RGBWW)  |   |

| CONNECTION OPTIONS (See diagrams on the right)  | Custom Length (ft.) |
|---|---------------------|
| <b>1</b> - End Feed Bare Wire Connection <b>4</b> - End Feed with IP67 Male Coupler<br><b>2</b> - Back Feed Bare Wire Connection <b>5</b> - Soldered Daisy Chain<br><b>3</b> - Side Feed Bare Wire Connection <b>6</b> - Daisy Chain With IP67 Couplers |                     |



**STEP 3** Complete Assembly Option & Length

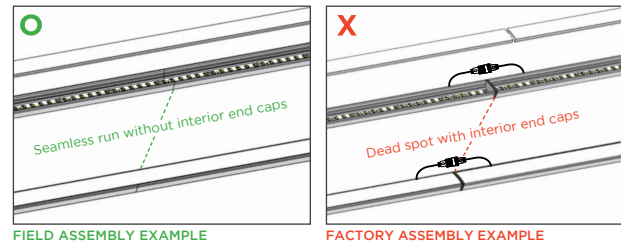
| ASSEMBLY OPTION   | LENGTH (Standard factory assembled length up to 6 ft 6.7 in. / 2 m) |
|---|---|
| <b>FI</b> - Field Assembly  |   |
| <b>FA</b> - Factory Assembly* (not recommended for exterior applications) |   |

\* Factory assembled runs exceeding 6 ft 6.7 in. (2 m) will be split into multiple daisy chained fixtures.

**STEP 4** Add Accessories

| ACCESSORIES   |
|---|
| <b>CHCOUP180AS23SV</b> - 180° Coupler Silver <b>CHMAGO.5</b> - Magnetic Mount |
| <b>TILTSTANDST</b> - Tilttable Stand  |

**DO NOT BUTT END CAPS AGAINST EACH OTHER WHEN CREATING LONGER FIXTURES**  
 Acolyte STRONGLY SUGGESTS field assembly (without using interior end caps) for direct-view fixtures of more than 6 ft 6.7 in. (2 m) in length. Field assembly without interior end caps will eliminate gaps or dead spots that can be caused by butting interior end caps against each other.



RIBBONLYTE SPECIFICATIONS & COMPATIBILITY

| Available Wattage          | Cutttable Length  | LED Pitch               | Color Temp. | lm/W without Lens | Delivered Lumens |      |                 |      |                 |      |                  |      | Max Length  | Compatible with Channel |      |      |
|----------------------------|-------------------|-------------------------|-------------|-------------------|------------------|------|-----------------|------|-----------------|------|------------------|------|---|-------------------------|------|------|
|                            |                   |                         |             |                   | with Clear Lens  |      | with Milky Lens |      | with Black Lens |      | with Square Lens |      |   | IP20                    | IP65 | IP68 |
|                            |                   |                         |             |                   | lm/ft            | lm/m | lm/ft           | lm/m | lm/ft           | lm/m | lm/ft            | lm/m |   |                         |      |      |
| 0.75 Static White Series 2 | 1.97 in. (50 mm)  | 48 LEDs/ft (160 LEDs/m) | 1800K       | 84                | 59               | 192  | 47              | 155  | 44              | 145  | 44               | 145  | IP20: 49 ft (15 m)<br>IP65/IP68: 32.8 ft (10 m)         | ✓                       | ✓    | ✓    |
|                            |                   |                         | 2000K       | 99                | 69               | 227  | 56              | 183  | 52              | 171  | 52               | 171  |   |                         |      |      |
|                            |                   |                         | 2200K       | 109               | 76               | 249  | 61              | 201  | 57              | 188  | 57               | 188  |   |                         |      |      |
|                            |                   |                         | 2400K       | 113               | 79               | 259  | 64              | 209  | 59              | 195  | 59               | 195  |   |                         |      |      |
|                            |                   |                         | 2700K       | 123               | 86               | 281  | 69              | 227  | 65              | 212  | 65               | 212  |   |                         |      |      |
|                            |                   |                         | 3000K       | 123               | 86               | 281  | 69              | 227  | 65              | 212  | 65               | 212  |   |                         |      |      |
|                            |                   |                         | 3500K       | 130               | 91               | 297  | 73              | 240  | 68              | 224  | 68               | 224  |   |                         |      |      |
|                            |                   |                         | 4000K       | 134               | 93               | 307  | 75              | 247  | 70              | 231  | 70               | 231  |   |                         |      |      |
| 6000K                      | 131               | 91                      | 300         | 74                | 242              | 69   | 226             | 69   | 226             |      |                  |      |   |                         |      |      |
| 1.5 Static White Series 2  | 1.97 in. (50 mm)  | 48 LEDs/ft (160 LEDs/m) | 1800K       | 84                | 117              | 384  | 95              | 310  | 88              | 289  | 88               | 289  | IP20: 49 ft (15 m)<br>IP65/IP68: 32.8 ft (10 m)         | ✓                       | ✓    | ✓    |
|                            |                   |                         | 2000K       | 98                | 137              | 384  | 110             | 263  | 103             | 338  | 103              | 338  |   |                         |      |      |
|                            |                   |                         | 2200K       | 109               | 152              | 499  | 123             | 402  | 114             | 375  | 114              | 375  |   |                         |      |      |
|                            |                   |                         | 2400K       | 113               | 158              | 517  | 127             | 417  | 119             | 389  | 119              | 389  |   |                         |      |      |
|                            |                   |                         | 2700K       | 123               | 172              | 563  | 138             | 454  | 129             | 424  | 129              | 424  |   |                         |      |      |
|                            |                   |                         | 3000K       | 123               | 172              | 563  | 138             | 454  | 129             | 424  | 129              | 424  |   |                         |      |      |
|                            |                   |                         | 3500K       | 129               | 180              | 590  | 145             | 476  | 135             | 444  | 135              | 444  |   |                         |      |      |
|                            |                   |                         | 4000K       | 134               | 187              | 613  | 151             | 495  | 141             | 462  | 141              | 462  |   |                         |      |      |
| 6000K                      | 131               | 183                     | 600         | 147               | 484              | 138  | 451             | 138  | 451             |      |                  |      |   |                         |      |      |
| 2.2 Static White Series 2  | 1.97 in. (50 mm)  | 48 LEDs/ft (160 LEDs/m) | 1800K       | 83                | 170              | 557  | 137             | 449  | 128             | 419  | 128              | 419  | IP20: 42 ft (12.8 m)<br>IP65/IP68: 32.8 ft (10 m)       | ✓                       | ✓    | ✓    |
|                            |                   |                         | 2000K       | 96                | 196              | 644  | 158             | 520  | 148             | 485  | 148              | 485  |   |                         |      |      |
|                            |                   |                         | 2200K       | 106               | 217              | 712  | 175             | 574  | 163             | 536  | 163              | 536  |   |                         |      |      |
|                            |                   |                         | 2400K       | 111               | 227              | 745  | 183             | 601  | 171             | 561  | 171              | 561  |   |                         |      |      |
|                            |                   |                         | 2700K       | 120               | 246              | 806  | 198             | 650  | 185             | 606  | 185              | 606  |   |                         |      |      |
|                            |                   |                         | 3000K       | 122               | 250              | 819  | 201             | 660  | 188             | 616  | 188              | 616  |   |                         |      |      |
|                            |                   |                         | 3500K       | 127               | 260              | 852  | 210             | 687  | 196             | 642  | 196              | 642  |   |                         |      |      |
|                            |                   |                         | 4000K       | 133               | 272              | 893  | 219             | 720  | 205             | 672  | 205              | 672  |   |                         |      |      |
| 6000K                      | 128               | 262                     | 859         | 211               | 693              | 197  | 647             | 197  | 647             |      |                  |      |   |                         |      |      |
| 3.0 Static White Series 2  | 1.97 in. (50 mm)  | 48 LEDs/ft (160 LEDs/m) | 1800K       | 84                | 234              | 769  | 189             | 620  | 176             | 579  | 176              | 579  | IP20: 36 ft (11 m)<br>IP65/IP68: 32.8 ft (10 m)         | ✓                       | ✓    | ✓    |
|                            |                   |                         | 2000K       | 98                | 273              | 897  | 221             | 723  | 206             | 675  | 206              | 675  |   |                         |      |      |
|                            |                   |                         | 2200K       | 108               | 301              | 989  | 243             | 797  | 227             | 744  | 227              | 744  |   |                         |      |      |
|                            |                   |                         | 2400K       | 109.8             | 306              | 1005 | 247             | 811  | 231             | 756  | 231              | 756  |   |                         |      |      |
|                            |                   |                         | 2700K       | 122.9             | 343              | 1125 | 277             | 907  | 258             | 847  | 258              | 847  |   |                         |      |      |
|                            |                   |                         | 3000K       | 130               | 363              | 1190 | 293             | 960  | 273             | 896  | 273              | 896  |   |                         |      |      |
|                            |                   |                         | 3500K       | 133               | 371              | 1217 | 299             | 982  | 279             | 916  | 279              | 916  |   |                         |      |      |
|                            |                   |                         | 4000K       | 133               | 371              | 1217 | 299             | 982  | 279             | 916  | 279              | 916  |   |                         |      |      |
| 6000K                      | 128               | 357                     | 1172        | 288               | 945              | 269  | 882             | 269  | 882             |      |                  |      |   |                         |      |      |
| 4.4 Static White Series 2  | 1.97 in. (50 mm)  | 48 LEDs/ft (160 LEDs/m) | 1800K       | 81                | 331              | 1087 | 267             | 877  | 249             | 818  | 249              | 818  | 28 ft 4 in. (8.64 m)                                    | ✓                       | ✓    | ✓    |
|                            |                   |                         | 2000K       | 95                | 389              | 1275 | 314             | 1029 | 293             | 960  | 293              | 960  |   |                         |      |      |
|                            |                   |                         | 2200K       | 105               | 430              | 1410 | 347             | 1137 | 323             | 1061 | 323              | 1061 |   |                         |      |      |
|                            |                   |                         | 2400K       | 109               | 446              | 1463 | 360             | 1180 | 336             | 1101 | 336              | 1101 |   |                         |      |      |
|                            |                   |                         | 2700K       | 122               | 499              | 1638 | 403             | 1321 | 376             | 1233 | 376              | 1233 |   |                         |      |      |
|                            |                   |                         | 3000K       | 129               | 528              | 1732 | 426             | 1397 | 397             | 1304 | 397              | 1304 |   |                         |      |      |
|                            |                   |                         | 3500K       | 132               | 540              | 1772 | 436             | 1429 | 407             | 1334 | 407              | 1334 |   |                         |      |      |
|                            |                   |                         | 4000K       | 132               | 540              | 1772 | 436             | 1429 | 407             | 1334 | 407              | 1334 |   |                         |      |      |
| 6000K                      | 126               | 516                     | 1692        | 416               | 1364             | 388  | 1273            | 388  | 1273            |      |                  |      |   |                         |      |      |
| 5.0 Static White Series 2  | 1.4 in. (35.7 mm) | 68 LEDs/ft (224 LEDs/m) | 1800K       | 83                | 386              | 1266 | 311             | 1021 | 291             | 953  | 291              | 953  | IP20: 33 ft 4 in. (10.1 m)<br>IP65/IP68: 32.8 ft (10 m) | ✓                       | ✓    | ✓    |
|                            |                   |                         | 2000K       | 98                | 456              | 1495 | 368             | 1206 | 343             | 1125 | 343              | 1125 |   |                         |      |      |
|                            |                   |                         | 2200K       | 107               | 498              | 1632 | 401             | 1316 | 375             | 1229 | 375              | 1229 |   |                         |      |      |
|                            |                   |                         | 2400K       | 110               | 511              | 1675 | 412             | 1351 | 384             | 1261 | 384              | 1261 |   |                         |      |      |
|                            |                   |                         | 2700K       | 123               | 571              | 1875 | 461             | 1512 | 430             | 1411 | 430              | 1411 |   |                         |      |      |
|                            |                   |                         | 3000K       | 130               | 605              | 1983 | 488             | 1599 | 455             | 1493 | 455              | 1493 |   |                         |      |      |
|                            |                   |                         | 3500K       | 133               | 618              | 2029 | 499             | 1636 | 466             | 1527 | 466              | 1527 |   |                         |      |      |
|                            |                   |                         | 4000K       | 133               | 618              | 2029 | 499             | 1636 | 466             | 1527 | 466              | 1527 |   |                         |      |      |
| 6000K                      | 127               | 591                     | 1937        | 476               | 1562             | 445  | 1458            | 445  | 1458            |      |                  |      |   |                         |      |      |
| 6.0 Static White Series 2  | 1.4 in. (35.7 mm) | 68 LEDs/ft (224 LEDs/m) | 1800K       | 82                | 458              | 1501 | 369             | 1211 | 344             | 1130 | 344              | 1130 | 28 ft (8.5 m)   | ✓                       | ✓    | ✓    |
|                            |                   |                         | 2000K       | 95                | 530              | 1739 | 428             | 1403 | 399             | 1309 | 399              | 1309 |   |                         |      |      |
|                            |                   |                         | 2200K       | 106               | 591              | 1941 | 477             | 1565 | 445             | 1461 | 445              | 1461 |   |                         |      |      |
|                            |                   |                         | 2400K       | 109               | 608              | 1995 | 491             | 1609 | 458             | 1502 | 458              | 1502 |   |                         |      |      |
|                            |                   |                         | 2700K       | 122               | 681              | 2233 | 549             | 1801 | 512             | 1681 | 512              | 1681 |   |                         |      |      |
|                            |                   |                         | 3000K       | 129               | 720              | 2362 | 581             | 1905 | 542             | 1778 | 542              | 1778 |   |                         |      |      |
|                            |                   |                         | 3500K       | 132               | 737              | 2417 | 594             | 1949 | 554             | 1819 | 554              | 1819 |   |                         |      |      |
|                            |                   |                         | 4000K       | 132               | 737              | 2417 | 594             | 1949 | 554             | 1819 | 554              | 1819 |   |                         |      |      |
| 6000K                      | 126               | 703                     | 2307        | 567               | 1860             | 529  | 1736            | 529  | 1736            |      |                  |      |   |                         |      |      |

**RIBBONLYTE SPECIFICATIONS & COMPATIBILITY**

| Available Wattages         | Cutttable Length    | LED Pitch                | Color Temp.   | lm/W without Lens | Delivered Lumens |       |                 |       |                 |       |                  |       | Max Length  | Compatible with Channel |      |      |
|----------------------------|---------------------|--------------------------|---------------|-------------------|------------------|-------|-----------------|-------|-----------------|-------|------------------|-------|---|-------------------------|------|------|
|                            |                     |                          |               |                   | with Clear Lens  |       | with Milky Lens |       | with Black Lens |       | with Square Lens |       |   | IP20                    | IP65 | IP68 |
|                            |                     |                          |               |                   | lm/ft            | lm/m  | lm/ft           | lm/m  | lm/ft           | lm/m  | lm/ft            | lm/m  |   |                         |      |      |
| 0.75 Static Color Series 2 | 1.97 in. (50 mm)    | 48 LEDs/ft (160 LEDs/m)  | Red           | 41                | 29               | 94    | 23              | 76    | 22              | 71    | 22               | 71    | IP20: 49 ft (15 m)<br>IP65/IP68: 32.8 ft (10 m)   | ✓                       | ✓    | ✓    |
|                            |                     |                          | Green         | 175               | 122              | 400   | 98              | 323   | 92              | 301   | 92               | 301   |   |                         |      |      |
|                            |                     |                          | Blue          | 19                | 13               | 43    | 11              | 35    | 10              | 33    | 10               | 33    |   |                         |      |      |
|                            |                     |                          | Amber         | 34                | 24               | 78    | 19              | 63    | 18              | 59    | 18               | 59    |   |                         |      |      |
| 1.5 Static Color Series 2  | 1.97 in. (50 mm)    | 48 LEDs/ft (160 LEDs/m)  | Red           | 42                | 59               | 192   | 47              | 155   | 44              | 145   | 44               | 145   | IP20: 49 ft (15 m)<br>IP65/IP68: 32.8 ft (10 m)   | ✓                       | ✓    | ✓    |
|                            |                     |                          | Green         | 160               | 223              | 732   | 180             | 591   | 168             | 551   | 168              | 551   |   |                         |      |      |
|                            |                     |                          | Blue          | 18                | 25               | 82    | 20              | 66    | 19              | 62    | 19               | 62    |   |                         |      |      |
|                            |                     |                          | Amber         | 34                | 47               | 156   | 38              | 128   | 36              | 117   | 36               | 117   |   |                         |      |      |
| 2.2 Static Color Series 2  | 1.97 in. (50 mm)    | 48 LEDs/ft (160 LEDs/m)  | Red           | 42                | 86               | 282   | 69              | 227   | 65              | 212   | 65               | 212   | IP20: 42 ft (12.8 m)<br>IP65/IP68: 32.8 ft (10 m) | ✓                       | ✓    | ✓    |
|                            |                     |                          | Green         | 145               | 297              | 973   | 239             | 785   | 223             | 733   | 223              | 733   |   |                         |      |      |
|                            |                     |                          | Blue          | 18                | 37               | 121   | 30              | 97    | 28              | 91    | 28               | 91    |   |                         |      |      |
|                            |                     |                          | Amber         | 34                | 70               | 228   | 56              | 184   | 52              | 172   | 52               | 172   |   |                         |      |      |
| 3.0 Static Color Series 2  | 1.97 in. (50 mm)    | 48 LEDs/ft (160 LEDs/m)  | Red           | 40                | 112              | 366   | 90              | 295   | 84              | 276   | 84               | 276   | 32.8 ft (10 m)                                    | ✓                       | ✓    | ✓    |
|                            |                     |                          | Green         | 127               | 354              | 1162  | 286             | 937   | 267             | 875   | 267              | 875   |   |                         |      |      |
|                            |                     |                          | Blue          | 25                | 70               | 229   | 56              | 185   | 53              | 172   | 53               | 172   |   |                         |      |      |
|                            |                     |                          | Amber         | 29                | 81               | 265   | 65              | 214   | 61              | 200   | 61               | 200   |   |                         |      |      |
| 4.4 Static Color Series 2  | 1.97 in. (50 mm)    | 48 LEDs/ft (160 LEDs/m)  | Red           | 38                | 155              | 510   | 125             | 411   | 117             | 384   | 117              | 384   | 29 ft (8.8 m)                                     | ✓                       | ✓    | ✓    |
|                            |                     |                          | Green         | 117               | 479              | 1571  | 386             | 1267  | 360             | 1182  | 360              | 1182  |   |                         |      |      |
|                            |                     |                          | Blue          | 24                | 98               | 322   | 79              | 260   | 74              | 243   | 74               | 243   |   |                         |      |      |
|                            |                     |                          | Amber         | 25                | 102              | 336   | 83              | 271   | 77              | 253   | 77               | 253   |   |                         |      |      |
| 5.0 Static Color Series 2  | 1.4 in. (35.7 mm)   | 68 LEDs/ft (224 LEDs/m)  | Red           | 37                | 172              | 564   | 139             | 455   | 130             | 425   | 130              | 425   | 30 ft (9.14 m)                                    | ✓                       | ✓    | ✓    |
|                            |                     |                          | Green         | 116               | 539              | 1770  | 435             | 1427  | 406             | 1332  | 406              | 1332  |   |                         |      |      |
|                            |                     |                          | Blue          | 24                | 112              | 366   | 90              | 295   | 84              | 276   | 84               | 276   |   |                         |      |      |
|                            |                     |                          | Amber         | 26                | 121              | 397   | 98              | 320   | 91              | 299   | 91               | 299   |   |                         |      |      |
| 6.0 Static Color Series 2  | 1.4 in. (35.7 mm)   | 68 LEDs/ft (224 LEDs/m)  | Red           | 37                | 206              | 677   | 167             | 546   | 155             | 510   | 155              | 510   | 28 ft (8.5 m)                                     | ✓                       | ✓    | ✓    |
|                            |                     |                          | Green         | 113               | 631              | 2069  | 509             | 1668  | 475             | 1557  | 475              | 1557  |   |                         |      |      |
|                            |                     |                          | Blue          | 23                | 128              | 421   | 104             | 340   | 97              | 317   | 97               | 317   |   |                         |      |      |
|                            |                     |                          | Amber         | 24                | 134              | 439   | 108             | 354   | 101             | 331   | 101              | 331   |   |                         |      |      |
| 2.4 Static White Linea     | 1.97 in. (50 mm)    | 146 LEDs/ft (480 LEDs/m) | 2700K         | 67                | 149.7            | 491   | 120.8           | 396   | 112.7           | 369.6 | 112.7            | 369.6 | 21.3 ft (6.5 m)                                   | ✓                       | n/a  | n/a  |
|                            |                     |                          | 3000K         | 71                | 158.1            | 519.9 | 127.5           | 419.3 | 119             | 391.3 | 119              | 391.3 |   |                         |      |      |
|                            |                     |                          | 3500K         | 83                | 185.1            | 608.2 | 149.3           | 490.5 | 139.3           | 457.8 | 139.3            | 457.8 |   |                         |      |      |
|                            |                     |                          | 4000K         | 83                | 185.1            | 608.2 | 149.3           | 490.5 | 139.3           | 457.8 | 139.3            | 457.8 |   |                         |      |      |
| 3.0 Static White Linea     | 1.97 in. (50 mm)    | 146 LEDs/ft (480 LEDs/m) | 2700K         | 66                | 184.1            | 604.5 | 148.5           | 487.5 | 138.6           | 455   | 138.6            | 455   | 21.3 ft (6.5 m)                                   | ✓                       | n/a  | n/a  |
|                            |                     |                          | 3000K         | 73                | 203.7            | 668.7 | 164.3           | 539.3 | 153.3           | 503.3 | 153.3            | 503.3 |   |                         |      |      |
|                            |                     |                          | 3500K         | 78                | 217.6            | 714.2 | 175.5           | 576   | 163.8           | 537.6 | 163.8            | 537.6 |   |                         |      |      |
|                            |                     |                          | 4000K         | 83                | 231.6            | 759.8 | 186.8           | 612.8 | 174.3           | 571.9 | 174.3            | 571.9 |   |                         |      |      |
| 4.3 Static White Linea     | 1.97 in. (50 mm)    | 146 LEDs/ft (480 LEDs/m) | 2700K         | 75                | 300.4            | 983.9 | 242.3           | 793.5 | 226.1           | 740.6 | 226.1            | 740.6 | 24.6 ft (7.5 m)                                   | ✓                       | n/a  | n/a  |
|                            |                     |                          | 3000K         | 78                | 311.6            | 1023  | 251.3           | 825   | 234.5           | 770   | 234.5            | 770   |   |                         |      |      |
|                            |                     |                          | 3500K         | 86                | 344.1            | 1129  | 277.5           | 910.5 | 259             | 849.8 | 259              | 849.8 |   |                         |      |      |
|                            |                     |                          | 4000K         | 86                | 344.1            | 1129  | 277.5           | 910.5 | 259             | 849.8 | 259              | 849.8 |   |                         |      |      |
| 6.1 Variable White Linea   | 1.09 in. (27.78 mm) | 175 LEDs/ft (576 LEDs/m) | 2700K + 6500K | 95                | 539.4            | 1769  | 435             | 427.3 | 406             | 332.1 | 406              | 332.1 | 16.4 ft (5 m)                                     | ✓                       | n/a  | n/a  |

RIBBONLYTE SPECIFICATIONS & COMPATIBILITY

| Available Wattages          | Cuttable Length    | LED Pitch                | Color Temp.              | lm/W without Lens | Delivered Lumens         |               |                 |         |                 |        |                  |        | Max Length              | Compatible with Channel |       |                  |
|-----------------------------|--------------------|--------------------------|--------------------------|-------------------|--------------------------|---------------|-----------------|---------|-----------------|--------|------------------|--------|-------------------------|-------------------------|-------|------------------|
|                             |                    |                          |                          |                   | with Clear Lens          |               | with Milky Lens |         | with Black Lens |        | with Square Lens |        |                         | IP20                    | IP65  | IP68             |
|                             |                    |                          |                          |                   | lm/ft                    | lm/m          | lm/ft           | lm/m    | lm/ft           | lm/m   | lm/ft            | lm/m   |                         |                         |       |                  |
| 1.5 Static White Xacta      | 0.2 in. (5 mm)     | 61 LEDs/ft (200 LEDs/m)  | 1800K                    | 71                | 110.2                    | 361.6         | 83.9            | 275.1   | 83.9            | 275.1  | 89.9             | 294.8  | 32.74 ft (9.98 m)       | ✓                       | n/a   | n/a              |
|                             |                    |                          | 2000K                    | 84                | 130.1                    | 426.8         | 99              | 324.7   | 99              | 324.7  | 106.1            | 347.9  |                         |                         |       |                  |
|                             |                    |                          | 2200K                    | 92                | 142.7                    | 468.3         | 108.6           | 356.3   | 108.6           | 356.3  | 116.4            | 381.7  |                         |                         |       |                  |
|                             |                    |                          | 2400K                    | 96                | 148.2                    | 486.1         | 112.7           | 369.8   | 112.7           | 369.8  | 120.8            | 396.2  |                         |                         |       |                  |
|                             |                    |                          | 2700K                    | 109               | 168                      | 551.3         | 127.9           | 419.4   | 127.9           | 419.4  | 137              | 449.4  |                         |                         |       |                  |
|                             |                    |                          | 3000K                    | 113               | 175.3                    | 575           | 133.4           | 437.5   | 133.4           | 437.5  | 142.9            | 468.7  |                         |                         |       |                  |
|                             |                    |                          | 3500K                    | 117               | 180.7                    | 592.8         | 137.5           | 451     | 137.5           | 451    | 147.3            | 483.2  |                         |                         |       |                  |
|                             |                    |                          | 4000K                    | 115               | 177.1                    | 580.9         | 134.7           | 442     | 134.7           | 442    | 144.4            | 473.6  |                         |                         |       |                  |
|                             |                    |                          | 6000K                    | 112               | 173.5                    | 569           | 132             | 433     | 132             | 433    | 141.4            | 463.9  |                         |                         |       |                  |
|                             |                    |                          | 3.0 Static White Xacta   | 0.2 in. (5 mm)    | 61 LEDs/ft (200 LEDs/m)  | 1800K         | 71              | 196.3   | 643.9           | 149.3  | 489.9            | 149.3  |                         |                         |       |                  |
| 2000K                       | 84                 | 231.6                    |                          |                   |                          | 760           | 176.2           | 578.3   | 176.2           | 578.3  | 188.8            | 619.6  |                         |                         |       |                  |
| 2200K                       | 92                 | 254.2                    |                          |                   |                          | 833.9         | 193.4           | 634.5   | 193.4           | 634.5  | 207.2            | 679.8  |                         |                         |       |                  |
| 2400K                       | 95                 | 263.8                    |                          |                   |                          | 865.6         | 200.7           | 658.6   | 200.7           | 658.6  | 215.1            | 705.7  |                         |                         |       |                  |
| 2700K                       | 108                | 299.2                    |                          |                   |                          | 981.7         | 227.7           | 747     | 227.7           | 747    | 243.9            | 800.3  |                         |                         |       |                  |
| 3000K                       | 113                | 312.1                    |                          |                   |                          | 1023.9        | 237.4           | 779.1   | 237.4           | 779.1  | 254.4            | 834.7  |                         |                         |       |                  |
| 3500K                       | 116                | 321.7                    |                          |                   |                          | 1055.6        | 244.8           | 803.2   | 244.8           | 803.2  | 262.3            | 860.6  |                         |                         |       |                  |
| 4000K                       | 114                | 315.3                    |                          |                   |                          | 1034.5        | 239.9           | 787.1   | 239.9           | 787.1  | 257              | 843.3  |                         |                         |       |                  |
| 6000K                       | 111                | 308.9                    |                          |                   |                          | 1013.4        | 235             | 771.1   | 235             | 771.1  | 251.8            | 826.1  |                         |                         |       |                  |
| 4.5 Static White Xacta      | 0.2 in. (5 mm)     | 61 LEDs/ft (200 LEDs/m)  |                          |                   |                          | 1800K         | 72              | 299.6   | 983             | 228    | 747.9            | 228    | 747.9                   | 244.3                   | 801.4 | 19.03 ft (5.8 m) |
|                             |                    |                          | 2000K                    | 85                | 353.7                    | 1160.3        | 269.1           | 882.8   | 269.1           | 882.8  | 288.3            | 945.9  |                         |                         |       |                  |
|                             |                    |                          | 2200K                    | 93                | 388                      | 1273.1        | 295.2           | 968.6   | 295.2           | 968.6  | 316.3            | 1037.8 |                         |                         |       |                  |
|                             |                    |                          | 2400K                    | 97                | 402.8                    | 1321.4        | 306.5           | 1005.4  | 306.5           | 1005.4 | 328.3            | 1077.2 |                         |                         |       |                  |
|                             |                    |                          | 2700K                    | 110               | 456.8                    | 1498.7        | 347.6           | 1140.3  | 347.6           | 1140.3 | 372.4            | 1221.7 |                         |                         |       |                  |
|                             |                    |                          | 3000K                    | 114               | 476.5                    | 1563.1        | 362.5           | 1189.3  | 362.5           | 1189.3 | 388.4            | 1274.3 |                         |                         |       |                  |
|                             |                    |                          | 3500K                    | 118               | 491.2                    | 1611.5        | 373.7           | 1226.1  | 373.7           | 1226.1 | 400.4            | 1313.7 |                         |                         |       |                  |
|                             |                    |                          | 4000K                    | 116               | 481.4                    | 1579.2        | 366.3           | 1201.6  | 366.3           | 1201.6 | 392.4            | 1287.4 |                         |                         |       |                  |
|                             |                    |                          | 6000K                    | 113               | 471.5                    | 1547          | 358.8           | 1177.1  | 358.8           | 1177.1 | 384.4            | 1261.2 |                         |                         |       |                  |
|                             |                    |                          | 1.5 Variable White Xacta | 0.2 in. (5 mm)    | 122 LEDs/ft (400 LEDs/m) | 2400K + 6000K | 138             | 189.06  | 620.36          | 143.85 | 472.01           | 143.9  | 472.0                   | 154.1                   | 505.7 |                  |
| 2400K + 6000K               | 136                | 371.13                   |                          |                   |                          | 1217.71       | 282.38          | 926.52  | 282.4           | 926.5  | 302.6            | 992.7  |                         |                         |       |                  |
| 3.0 Variable White Xacta    | 0.2 in. (5 mm)     | 122 LEDs/ft (400 LEDs/m) | 2400K + 6000K            | 134               | 524.22                   | 1719.76       | 398.86          | 1308.51 | 398.9           | 1308.5 | 427.4            | 1402.0 | 19.03 ft (5.8 m)        | ✓                       | n/a   | n/a              |
|                             |                    |                          | 2400K + 6000K            | 134               | 524.22                   | 1719.76       | 398.86          | 1308.51 | 398.9           | 1308.5 | 427.4            | 1402.0 |                         |                         |       |                  |
| Variable White Series 2 1.0 | 1.97 in. (50 mm)   | 42 LEDs/ft (140 LEDs/m)  | 2000K + 6500K            | 85                | 79                       | 259           | 64              | 209     | 60              | 195    | 60               | 195    | 32.8 ft (10 m)          | ✓                       | ✓     | ✓                |
|                             |                    |                          | 2000K + 6500K            | 80                | 223                      | 732           | 180             | 591     | 168             | 551    | 168              | 551    |                         |                         |       |                  |
| Variable White Series 2 3.0 | 1.97 in. (50 mm)   | 42 LEDs/ft (140 LEDs/m)  | 2000K + 6500K            | 80                | 223                      | 732           | 180             | 591     | 168             | 551    | 168              | 551    | 32.8 ft (10 m)          | ✓                       | ✓     | ✓                |
|                             |                    |                          | 2000K + 6500K            | 75                | 419                      | 1373          | 338             | 1107    | 315             | 1033   | 315              | 1033   |                         |                         |       |                  |
| Variable White Series 2 6.0 | 1.97 in. (50 mm)   | 42 LEDs/ft (140 LEDs/m)  | 2000K + 6500K            | 75                | 419                      | 1373          | 338             | 1107    | 315             | 1033   | 315              | 1033   | 19 ft 8 in. (6 m)       | ✓                       | ✓     | ✓                |
|                             |                    |                          | 2000K + 6500K            | 75                | 419                      | 1373          | 338             | 1107    | 315             | 1033   | 315              | 1033   |                         |                         |       |                  |
| 4.4 RGBW Series 2           | 1.97 in. (50 mm)   | 36 LEDs/ft (120 LEDs/m)  | RGBW (all on)            | 45                | 188.1                    | 617.2         | 148.5           | 487.2   | 138.6           | 454.7  | 138.6            | 454.7  | 19 ft 8 in. (6 m)       | ✓                       | n/a   | n/a              |
|                             |                    |                          | RGBW (all on)            | 45                | 188.1                    | 617.2         | 148.5           | 487.2   | 138.6           | 454.7  | 138.6            | 454.7  |                         |                         |       |                  |
| 5.5 RGBW Series 2           | 1.97 in. (50 mm)   | 36 LEDs/ft (120 LEDs/m)  | RGBW (all on)            | 59                | 308.8                    | 1013          | 243.3           | 798.5   | 227.2           | 745.3  | 227.2            | 745.3  | 16 ft 4 in. (5 m)       | n/a                     | ✓     | ✓                |
|                             |                    |                          | RGBW (all on)            | 59                | 308.8                    | 1013          | 243.3           | 798.5   | 227.2           | 745.3  | 227.2            | 745.3  |                         |                         |       |                  |
| 8.8 RGBW Series 2           | 1.97 in. (50 mm)   | 36 LEDs/ft (120 LEDs/m)  | RGBW (all on)            | 61                | 510.2                    | 1673.8        | 402.6           | 1320.9  | 375.8           | 1232.9 | 375.8            | 1232.9 | 16 ft 4 in. (5 m)       | ✓                       | n/a   | n/a              |
|                             |                    |                          | RGBW (all on)            | 61                | 510.2                    | 1673.8        | 402.6           | 1320.9  | 375.8           | 1232.9 | 375.8            | 1232.9 |                         |                         |       |                  |
| 4.4 5-in-1 RGBWW            | 2.46 in. (62.5 mm) | 29 LED/ft (96 LED/m)     | RGBWW (all on)           | 59                | 241.4                    | 792.1         | 194.7           | 638.8   | 181.7           | 308    | 181.7            | 308    | 16 ft 4 in (5 m)        | ✓                       | n/a   | n/a              |
|                             |                    |                          | RGBWW (all on)           | 59                | 241.4                    | 792.1         | 194.7           | 638.8   | 181.7           | 308    | 181.7            | 308    |                         |                         |       |                  |
| 8.8 5-in-1 RGBWW            | 2.46 in. (62.5 mm) | 29 LED/ft (96 LED/m)     | RGBWW (all on)           | 50                | 409.2                    | 1342.6        | 330             | 1082.7  | 596.2           | 1010.5 | 596.2            | 1010.5 | 11 ft 6 in (3.5 m)      | ✓                       | n/a   | n/a              |
|                             |                    |                          | RGBWW (all on)           | 50                | 409.2                    | 1342.6        | 330             | 1082.7  | 596.2           | 1010.5 | 596.2            | 1010.5 |                         |                         |       |                  |
| RGBW Addressable            | 3.94 in. (100 mm)  | 18 LEDs/ft (60 LEDs/m)   | Red                      | 33.5              | 30.8                     | 101.2         | 23.5            | 77.1    | 23.5            | 77     | 25.1             | 82.5   | 16 ft 5.64 in. (5.02 m) | n/a                     | n/a   | ✓ IP67           |
|                             |                    |                          | Green                    | 82                | 75.4                     | 247.5         | 57.4            | 188.3   | 57.4            | 188.3  | 61.5             | 201.8  |                         |                         |       |                  |
|                             |                    |                          | Blue                     | 15.5              | 14.2                     | 46.7          | 10.8            | 35.6    | 10.8            | 35.6   | 11.6             | 38.1   |                         |                         |       |                  |
|                             |                    |                          | White                    | 103               | 94.8                     | 310.9         | 72.1            | 236.6   | 72.1            | 236.6  | 77.3             | 253.5  |                         |                         |       |                  |
|                             |                    |                          | All                      | 40                | 222.8                    | 730.8         | 169.5           | 556.1   | 169.5           | 556.1  | 181.6            | 595.8  |                         |                         |       |                  |
| 5.3 Pixel RGB               | 3.94 in. (100 mm)  | 18 LEDs/ft (60 LEDs/m)   | RGB (all on)             | 21                | 115.785                  | 379.44        | 93.375          | 306     | 87.15           | 285.6  | 87.15            | 285.6  | 24 ft 7.2 in. (7.5 m)   | ✓                       | n/a   | n/a              |
| 5.2 Warm Dim                | 3.94 in. (100 mm)  | 36 LEDs/ft (120 LEDs/m)  | WARM DIM                 | 55                | 266                      | 873           | 200             | 657     | 200             | 657    | 200              | 657    | 16 ft 4 in. (5 m)       | ✓                       | ✓     | ✓                |

DIODE VISIBILITY CHART (Data below applies to installations with Milky lens only)

| No Visible Diode = N   |  |  |  | With Visible Diode = Y          |  |                     |                     |                  |                         |  |                 |
|--|--|--|--|---------------------------------|--|---------------------|---------------------|------------------|-------------------------|--|-----------------|
| Note: Linea RibbonLyte has no visible diode                          |  |  |  |                                 |  |                     |                     |                  |                         |  |                 |
| Static White & Static Color Series 2<br>0.75/1.5/2.2/3.0/4.4/5.0/6.0 |  | Static White & Static Color Xacta<br>1.5/3.0/4.5 |  | RGBW & RGBA Series 2<br>4.4/8.8 |  | 5-in-1 RGBWW<br>4.4 | 5-in-1 RGBWW<br>8.8 | Pixel RGB<br>5.3 | RGBW Addressable<br>6.0 | Variable White Series 2<br>1.0/3.0/6.0 | Warm Dim<br>5.2 |
| IP20/IP65/IP68   |  | IP20   |  | IP20                            |  | IP20                | IP20                | IP20             | IP67                    | IP20/IP65/IP68                         | IP20/IP65/IP68  |
| N  |  | N  |  | N                               |  | N                   | N                   | N                | N                       | N                                      | N               |

AVAILABLE DRIVERS / CONTROLLERS AND DIMMING OPTIONS / WIRE GAUGE CHART

| NON-DIMMING ELECTRONIC DRIVERS   |   |  | 0-10V/ELV/MLV 3-IN-1  |   | ELV  | 0-10V VW/WD             |  |
|--|---|--|---|---|--|-------------------------|--|
|  |   |  |   |   |  |                         |  |
| <p><b>30W, 60W, 96W Non-Dimming Electronic Class 2 Drivers</b></p> <p>Part No.:</p> <ul style="list-style-type: none"> <li>• DRVW2430 (30 W)</li> <li>• DRVW2460 (60 W)</li> <li>• DRVW2496 (96 W)</li> </ul> <p>24 VDC<br/>120-277 VAC<br/>IP65, dry/damp locations<br/>UL Listed</p> | <p><b>240W, 320W Non-Dimming Electronic Drivers</b></p> <p>Part No.:</p> <ul style="list-style-type: none"> <li>• DRVW24240 (240 W)</li> <li>• DRVW24320 (320 W)</li> </ul> <p>24 VDC<br/>90-305 VAC<br/>IP65, dry/damp locations<br/>UL Recognized</p>   | <p><b>60W, 96W Non-Dimming Compact Drivers</b></p> <p>Part No.:</p> <ul style="list-style-type: none"> <li>• DRV2460C (60 W)</li> <li>• DRV2496C (96 W)</li> </ul> <p>24 VDC<br/>120-277 VAC<br/>IP20, dry locations<br/>UL Class P</p>  | <p><b>60W, 96W, 288W 0-10V/ELV/MLV 3-in-1 Dimmable Drivers</b></p> <p>Part No.:</p> <ul style="list-style-type: none"> <li>• DRVW2460TRI010 (60 W)</li> <li>• DRVW2496TRI010 (96 W)</li> <li>• DRVW24288TRI010 (288 W)</li> </ul> <p>24 VDC<br/>120-277 VAC<br/>IP65, dry/damp/wet locations<br/>UL Listed</p>  | <p><b>60W Dimmable Driver</b></p> <p>Part No.:</p> <ul style="list-style-type: none"> <li>• DRVW2460ELV</li> </ul> <p>24 VDC<br/>100-130 VAC<br/>Fits in single-gang switch boxes<br/>IP20, dry locations<br/>UL Recognized</p> | <p><b>0-10V Dimmable 90W VW/WD Driver</b></p> <p>Part No.:</p> <ul style="list-style-type: none"> <li>• DRVRFWDVW2490120</li> </ul> <p>24 VDC<br/>100-277 VAC<br/>IP23, dry/damp locations<br/>UL Listed</p> |                         |  |
| ATHENA WIRELESS COMPATIBLE   |   | CASAMBI COMPATIBLE DRIVERS   |   | DIMMABLE DALI-2 DRIVERS   |  | DIMMABLE DALI-2 DRIVERS |  |
|  |   |  |   |   |  |                         |  |
| <p><b>94W Athena Wireless Compatible Drivers</b></p> <p>Part No.:</p> <ul style="list-style-type: none"> <li>• DRVW2494ATH1CH (1 channel)</li> <li>• DRVW2494ATH2CH (2 channel)</li> </ul> <p>24 VDC<br/>100-277 VAC<br/>Dry locations<br/>UL Listed</p>                               | <p><b>100W &amp; 200W Casambi Compatible 4 Channel Drivers</b></p> <p>Part No.:</p> <ul style="list-style-type: none"> <li>• DRVW24100CAS4CH (100 W)</li> <li>• DRVW24200CAS4CH (200 W)</li> </ul> <p>24 VDC<br/>100-277 VAC<br/>IP66, dry/damp/wet locations<br/>UL Listed, CE, RoHS, Bluetooth, CASAMBI</p> | <p><b>96W DIMMABLE DALI-2 DT6 D4I &amp; DALI-2 DT8 D4I DRIVERS</b></p> <p>Part No.:</p> <ul style="list-style-type: none"> <li>• DRVW2496DALI1CH (1 channel)</li> <li>• DRVW2496DALI2CH (2 channel)</li> </ul> <p>24-26 VDC<br/>120-277 VAC<br/>IP67, dry/damp/wet locations<br/>UL Listed</p> | <p><b>75W, 150W, 240W DALI-2 Dimmable Drivers</b></p> <p>Part No.:</p> <ul style="list-style-type: none"> <li>• DRVW2475DALI1CH (75 W, 1 channel)</li> <li>• DRVW24150DALI1CH (150 W, 1 channel)</li> <li>• DRVW24240DALI1CH (240 W, 1 channel)</li> <li>• DRV24150DALI2CH (150 W, 2 channels)</li> <li>• DRV24150DALI4CH (150 W, 4 channels)</li> </ul> <p>24 VDC<br/>120-277 VAC<br/>IP67, damp/wet locations (1-channel drivers only)<br/>IP20, dry location (2-channel &amp; 4-channel drivers only)<br/>CE, RoHS, SELV</p> |   |  |                         |  |

DMX CONTROLLERS, VARIABLE WHITE DIMMER, WARM DIM DIMMER - FOR COLOR CHANGING FIXTURES

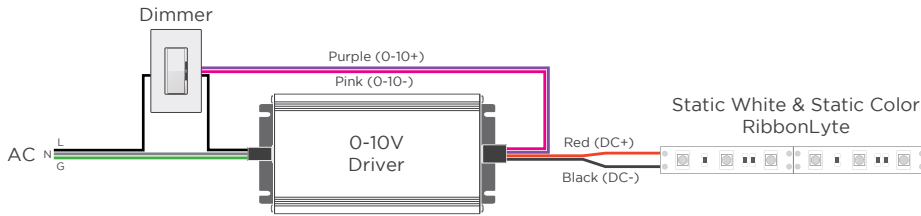
|   |   |   |   |  |
|---|---|---|---|--|
|   |   |   |   |  |
| <p><b>GLASS TOUCH WALL CONTROLLERS</b></p> <p>Part No.:</p> <ul style="list-style-type: none"> <li>• AWCRGBWBK</li> <li>• AWCVWBK</li> </ul>            | <p><b>1 ZONE WALL CONTROLLER</b></p> <p>Part No.: DMXCTRLG</p>  | <p><b>5 ZONE WALL CONTROLLER</b></p> <p>Part No.: DMXCTRL</p>                 | <p><b>10 ZONE WALL CONTROLLER</b></p> <p>Part No.: DMXCTRLD</p> | <p><b>6 UNIVERSE DMX CONTROLLER</b></p> <p>Part No.: DMXCTRLDR6U</p> |
|   |   |   |   |  |
| <p><b>VARIABLE WHITE DIMMER</b></p> <p>Part No.:</p> <ul style="list-style-type: none"> <li>• RFDIMVWWH (White)</li> <li>• RFDIMVWBK (Black)</li> </ul> | <p><b>WARM DIM DIMMER</b></p> <p>Part No.:</p> <ul style="list-style-type: none"> <li>• RFDIMWDWH (White)</li> <li>• RFDIMWDBK (Black)</li> </ul> | <p><b>4 CHANNEL WATERPROOF DMX INTERFACE</b></p> <p>Part No.: DMXINFWLC4D</p> | <p><b>5 CHANNEL DMX DECODER</b></p> <p>Part No.: DMXINF5</p>    | <p><b>DMX OPTO SPLITTER</b></p> <p>Part No.: DMXOS8</p>              |

DRIVER AND RIBBONLYTE AT FULL LOAD

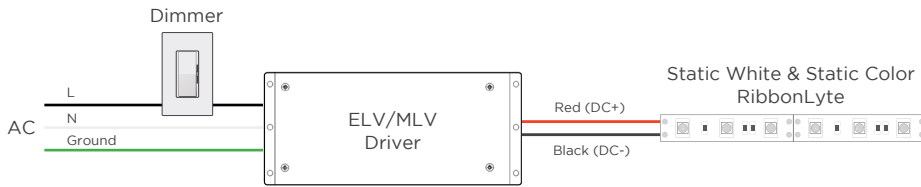
| Wattages                      | 30   |        | 60   |        | 96   |        | 150  |        | 200  |        | 240  |        | 300  |        | 320  |        |
|-------------------------------|------|--------|------|--------|------|--------|------|--------|------|--------|------|--------|------|--------|------|--------|
|                               | Feet | Meters | Feet | Meters | Feet | Meters | Feet | Meters | Feet | Meters | Feet | Meters | Feet | Meters | Feet | Meters |
| 24 AWG / 0.25 mm <sup>2</sup> | 14   | 4.27   | 9    | 2.74   | 5.5  | 1.68   | 3.75 | 1.14   | 2.75 | 0.84   | 2.25 | 0.69   | 1.75 | 0.53   | 1.75 | 0.53   |
| 22 AWG / 0.34 mm <sup>2</sup> | 22   | 6.71   | 14   | 4.27   | 9    | 2.74   | 5.75 | 1.75   | 4.5  | 1.37   | 3.5  | 1.07   | 2.75 | 0.84   | 2.75 | 0.84   |
| 20 AWG / 0.5 mm <sup>2</sup>  | 35   | 10.67  | 23   | 7.01   | 14   | 4.27   | 9    | 2.74   | 7    | 2.13   | 5.75 | 1.75   | 4.5  | 1.37   | 4.25 | 1.30   |
| 18 AWG / 0.75 mm <sup>2</sup> | 56   | 17.07  | 37   | 11.28  | 23   | 7.01   | 15   | 4.57   | 11   | 3.35   | 9    | 2.74   | 7.5  | 2.29   | 7    | 2.13   |
| 16 AWG / 1.5 mm <sup>2</sup>  | 90   | 27.44  | 60   | 18.29  | 37   | 11.28  | 24   | 7.32   | 18   | 5.49   | 15   | 4.57   | 12   | 3.66   | 11   | 3.35   |
| 14 AWG / 2.5 mm <sup>2</sup>  | 142  | 43.29  | 95   | 28.96  | 59   | 17.99  | 38   | 11.59  | 28   | 8.54   | 23   | 7.01   | 19   | 5.79   | 17   | 5.18   |
| 12 AWG / 4 mm <sup>2</sup>    | 226  | 68.90  | 151  | 46.04  | 94   | 28.66  | 60   | 18.29  | 45   | 13.72  | 37   | 11.28  | 30   | 9.15   | 28   | 8.54   |
| 10 AWG / 6 mm <sup>2</sup>    | 360  | 109.76 | 240  | 73.17  | 150  | 45.73  | 96   | 29.27  | 72   | 21.95  | 60   | 18.29  | 48   | 14.63  | 45   | 13.72  |
| 8 AWG / 10 mm <sup>2</sup>    | 574  | 175.00 | 381  | 116.16 | 239  | 72.87  | 153  | 46.65  | 115  | 35.06  | 95   | 28.96  | 76   | 23.17  | 71   | 21.65  |

WIRING DIAGRAMS - STATIC WHITE / STATIC COLOR / RGBW / RGBA / RGBWW

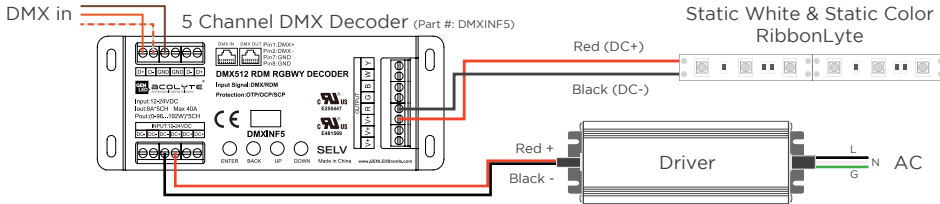
0-10 V



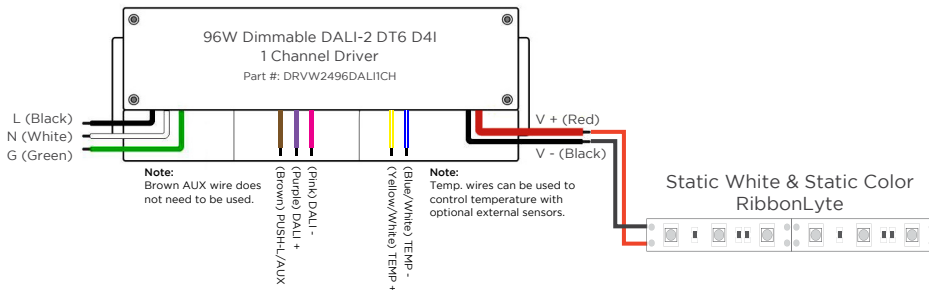
MLV / ELV



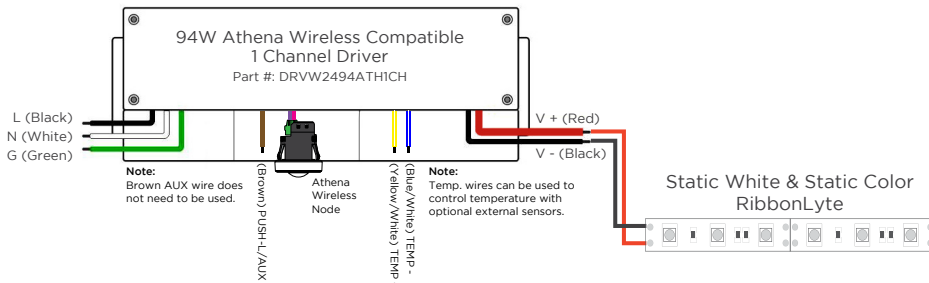
DMX WIRING WITH STATIC WHITE & STATIC COLOR RIBBONLYTE



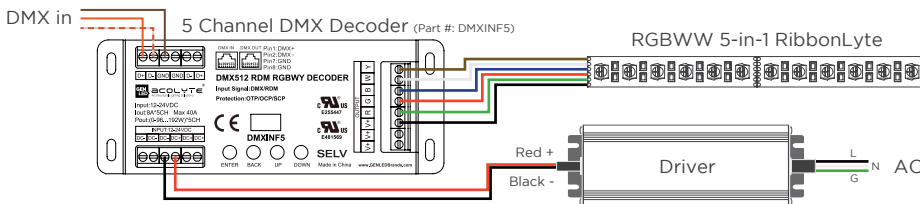
DALI-2 WIRING WITH STATIC WHITE & STATIC COLOR RIBBONLYTE



STATIC WHITE & STATIC COLOR RIBBONLYTE WIRING WITH ATHENA WIRELESS COMPATIBLE DRIVER



DMX WITH RGBWW 5-IN-1 RIBBONLYTE



WIRE COLORS PER RIBBONLYTE COLOR

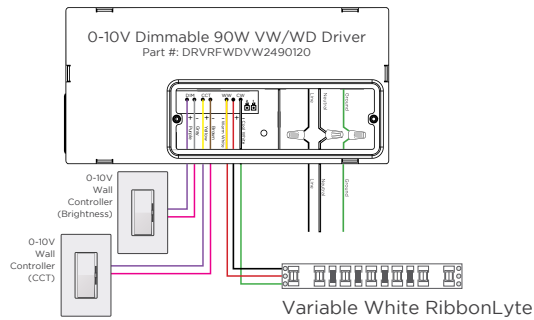
**STATIC WHITE + STATIC COLOR**  
Red Wire (+) Positive  
Black Wire (-) Negative

**RGBW + RGBA**  
Black Wire (+) Positive  
Green Wire (-) goes to Green Channel  
Red Wire (-) goes to Red Channel  
Blue Wire (-) goes to Blue Channel  
White Wire (-) goes to White Channel

**RGBWW**  
Black (+) Positive  
Green Wire (-) goes to Green Channel  
Red Wire (-) goes to Red Channel  
Blue Wire (-) goes to Blue Channel  
White Wire (-) goes to White Channel 1  
Brown Wire (-) goes to White Channel 2

WIRING DIAGRAMS - VARIABLE WHITE

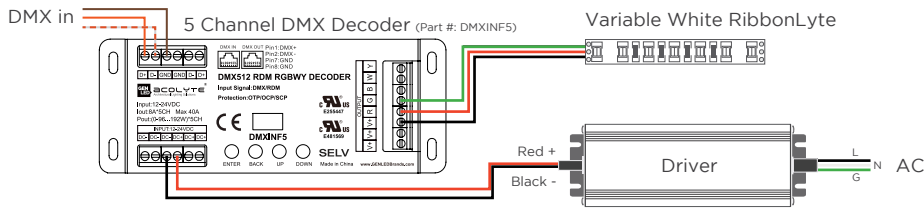
2-CHANNEL VARIABLE WHITE DIMMING



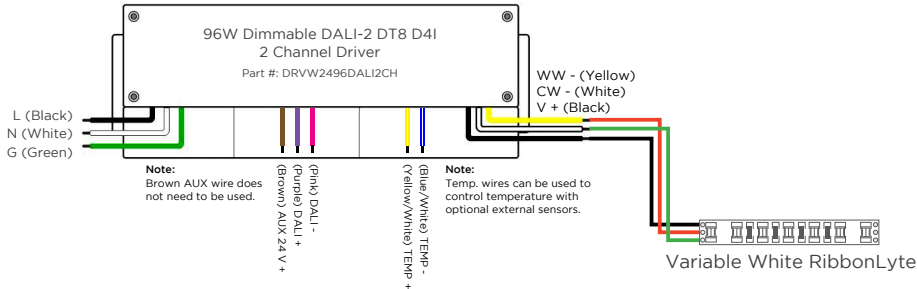
WIRE COLORS PER RIBBONLYTE COLOR

**VARIABLE WHITE**  
Black Wire (+) Positive  
Red Wire (-) goes to Warm White Channel  
Green Wire (-) goes to Cool White Channel

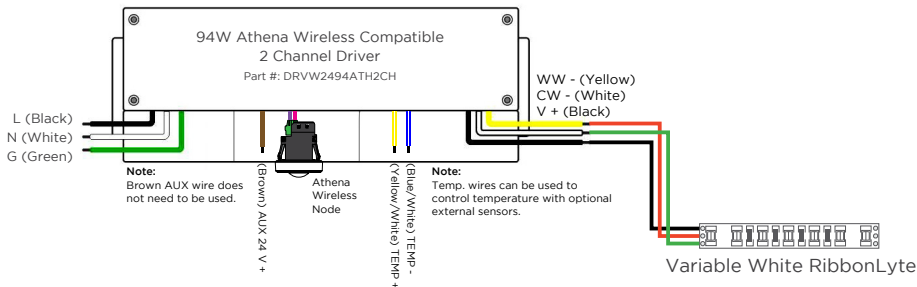
DMX WIRING WITH VARIABLE WHITE RIBBONLYTE



DALI-2 WIRING WITH VARIABLE WHITE RIBBONLYTE



VARIABLE WHITE RIBBONLYTE WIRING WITH ATHENA WIRELESS COMPATIBLE DRIVER



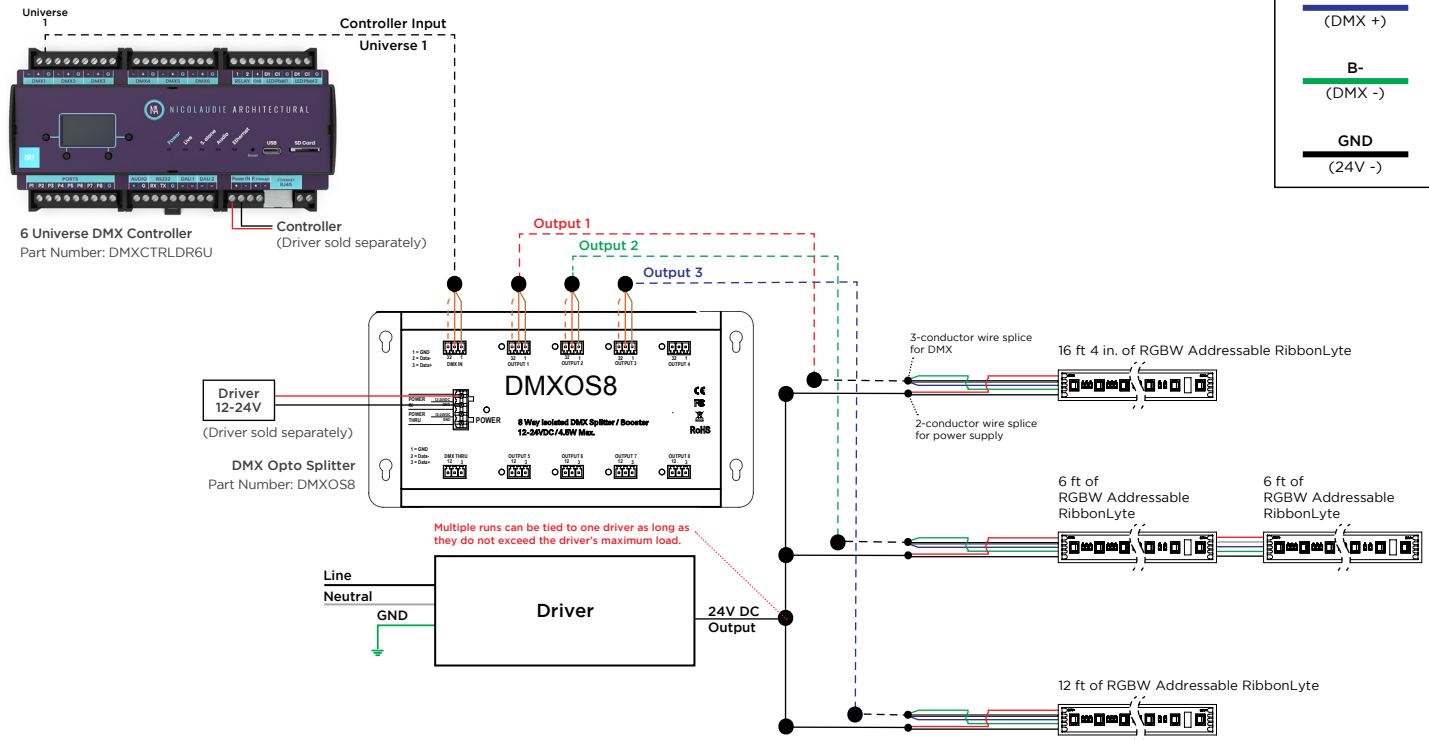
WIRING DIAGRAMS WITH RGBW ADDRESSABLE RIBBONLYTE

One DMX Universe consists of 128 addresses and 512 channels (42 ft / 12.8 m of RibbonLyte).

Any single run of RibbonLyte that is less than 16 ft, 4 in. can be wired directly to the controller.

For additional runs, Opto Splitter must be used. Each individual run will need its own Opto Splitter output.

| WIRE INDEX             |
|------------------------|
| <b>+</b><br>(24V +)    |
| <b>PI</b><br>(DMX GND) |
| <b>A+</b><br>(DMX +)   |
| <b>B-</b><br>(DMX -)   |
| <b>GND</b><br>(24V -)  |



REV.12MAY2026

**GLOBAL HQ**

320 Murray Hill Pkwy  
East Rutherford, NJ 07073  
U.S.  
T: (+1) 212 629 6830  
E: Sales-US@GENLEDBrands.com

**EUROPEAN HQ**

Hogeweyselaan 119  
1382 JK Weesp  
Netherlands  
T: (+31) 346 235 000  
E: SalesEurope@GENLEDBrands.com

**MEINA HQ**

PO Box 371378, #823, Building 4EA  
Dubai Airport Free Zone  
Dubai, UAE  
T: (+971) 4 701 7901  
E: SalesMEINA@genledbrands.com

**ASIA-PACIFIC HQ**

Room 402, Building D  
Shenshi Tongchuang Science and Technology Park  
No. 16 Hongyin Road  
Xingqiang Community, Xihu Street  
Guangming District, Shenzhen, China 518107  
T: (+86) 755 8529 0710  
E: Sales-Pacific@GENLEDBrands.com