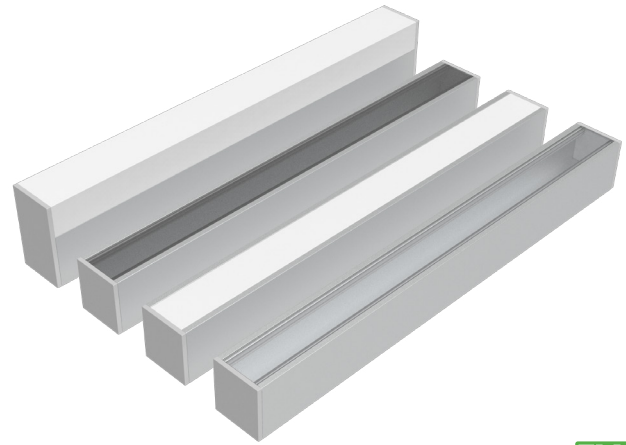


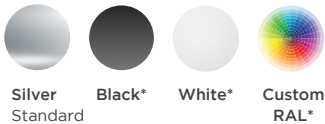
AS23 CHANNEL FIXTURE

AS23 is a surface mounted aluminum channel that offers the choice of clear, black or milky flat lens or a milky square lens. AS23 channel features a 100-degree beam angle and holds RibbonLyte with a maximum width of up to 0.79 in. (20 mm).

- Available for field assembly or factory assembly
- 0.91 in. (23 mm) wide by 0.99 in. (25.1 mm) deep, 1.59 in. (40.5 mm) deep with square lens
- 100° beam angle with clear, milky or black lens, 100°x150° with square milky lens
- Wattage range: 0.75 W/ft (2.46 W/m) to 8.8 W/ft (28.9 W/m)
- Static White delivered lumen range from 44 lm/ft (145 lm/m) up to 737 lm/ft (2417 lm/m)
- 180 degree coupler available
- Clear Lens, Milky Lens, Black Lens or Square Milky Lens

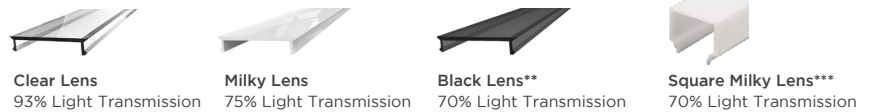


HOUSING FINISHES



*Additional fee applies

LENS FINISHES



**Our black lens offers great diffusion and helps hide fixtures that aren't in use.
 *** For interior applications only

AVAILABLE COLORS & COLOR TEMPERATURES



DIMENSIONS

| AS23 Channel | | Mounting Clip (included accessory) | |
|---|---|--|--|
| <p>0.83 in. (21 mm) 0.72 in. (18.2 mm) 100° 0.99 in. (25.1 mm) 0.91 in. (23 mm)</p> <p>Width: 0.91 in. (23 mm) Height: 0.99 in. (25.1 mm) Internal Width: 0.83 in. (21 mm) Internal Height: 0.72 in. (18.2 mm)</p> | <p>1.32 in. (33.4 mm) 100°x150° 1.59 in. (40.5 mm)</p> <p>Width: 0.91 in. (23 mm) Height: 1.59 in. (40.5 mm) Internal Width: 0.83 in. (21 mm) Internal Height: 1.32 in. (33.4 mm)</p> | <p>Side View</p> <p>0.74 in. (18.8 mm) 0.14 in. (3.5 mm)</p> <p>Top View</p> <p>0.87 in. (22 mm)</p> <p>Width: 0.74 in. (18.8 mm) Length: 0.87 in. (22 mm)</p> | <p>Assembled View</p> <p>0.99 in. (25.1 mm) 0.91 in. (23 mm) 1.59 in. (40.5 mm)</p> <p>Width: 0.91 in. (23 mm) Height: 0.99 in. (25.1 mm)</p> <p>Width: 0.91 in. (23 mm) Height: 1.59 in. (40.5 mm)</p> |
| <p>Note:</p> <ol style="list-style-type: none"> 1. Magnetic mounting option available (see page 2) 2. Exterior channel applications should be securely attached to the mounting surface with appropriate screws and/or liquid nails. Acolyte strongly recommends field assembly for exterior applications. Use mounting clips for interior applications only. 3. Raised lens is for interior applications only | | | |

Acolyte does not warrant or represent that the information is free from errors or omission. The information may change without notice and Acolyte is not in any way liable for the accuracy of any information printed and stored or in any way interpreted or used.

SPECIFICATIONS

| | |
|--------------------------------|--|
| Beam Angle | 100° with Clear, Milky or Black Lens, 100°x150° with Square Milky Lens |
| Lens Type | Clear Lens, Milky Lens, Black Lens, Square Milky Lens |
| Length | Channel is sold by the foot and cut to your exact desired length. Required amount of mounting clips included. |
| Operating Voltage | 24V |
| Dimming | MLV / 0-10 Volt / ELV / DALI / DMX |
| Operating Temperature | -40° F to 158° F (-40° C to 70° C) |
| Colors | 1800K, 2000K, 2200K, 2400K, 2700K, 3000K, 3500K, 4000K, 6000K, Red, Amber, Green, Blue, RGBA, RGBW, RGBWW, VW, Warm Dim (1800K, 2000K, 2200K only available in IP20) |
| CRI | 90+ CRI (Static white only) |
| Lamp Life | L70 at 50,000 Hours |
| MacAdam Ellipses (SDCM) | 2-Step Binning (For Static White LEDs only) |
| Certifications | UL Listed UL 2108 Issued: 2004/02/27 Ed: 1 Rev: 2014/02/24 Low Voltage Lighting Systems CSA C22.2#9.0 Issued: 1996/06/01 Ed: 1 (R2011) General Requirements for Luminaires; with Gen. Inst. 1: 1997, Gen Inst. 2: 1998. ROHS compliant |

ACCESSORIES (SEE PART NUMBERS AT STEP 4 ON PAGE 3)

| | | | |
|----------------------------|---|--|---|
| <p>180° Coupler</p> | <p>End Cap (A) for channel with Flat Lens</p> <p>End Cap Options: 1. Use End Cap (A) for channel with Flat Lens 2. Use End Cap (C) for channel with Square Milky Lens</p> | <p>End Cap (C) for channel with Square Milky Lens</p> | <p>Tiltable Stand</p> <p>Assembled Heights: Channel with Flat Lens: 1.85 in. (46.9 mm) Channel with Square Lens: 2.45 in. (62.3 mm)</p> |
|----------------------------|---|--|---|

Magnetic Mount (Part #: CHMAG0.5)

| | | | |
|-------------------------|------------------------|------------------------------|---|
| <p>Side View</p> | <p>Top View</p> | <p>Assembled View</p> | <p>Features: - High-energy neodymium magnets come attached to mounting clips with countersink hex nuts - Create easy-mount magnetic channels with minimal surface gaps; no tools or drilling necessary - Magnets rated for 8 lbs. of pull force with static load</p> <p>Applications: - Industrial lighting retrofits for troffers and other metal fixtures - Metal retail shelf lighting - Temporary light fixture installations</p> <p>With Flat Lens: 1.11 in. (28.3 mm)</p> <p>With Square Lens: 1.72 in. (43.7 mm)</p> |
|-------------------------|------------------------|------------------------------|---|

ORDERING GUIDE

STEP 1 Complete Channel Part Number

| CHANNEL | LENS | HOUSING COLOR | END CAP |
|-----------------------|---|---|--|
| CHAS23 | | | |
| CHAS23 - AS23 Channel | C - Clear Lens SM - Square Milky Lens* M - Milky Lens * For interior applications only BK - Black Lens | SV - Silver Consult factory for custom colors BK - Black WH - White | A - End Cap for channel with Flat Lens C - End Cap for channel with Square Milky Lens |

STEP 2 Complete RibbonLyte Part Number

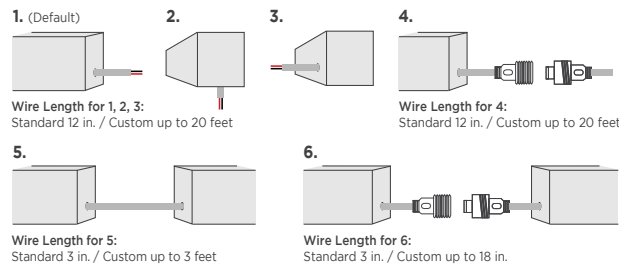
| CATEGORY | CRI | RIBBON TYPE & IP RATING | | |
|-----------------|---|--|---|---|
| RB | | | | |
| RB - RibbonLyte | 0 - Static Color, Color Changing 90 - 90+ CRI Static White | LINEA20 - Linea RibbonLyte IP20 SWS220 - Static White Series 2 IP20 SWS265 - Static White Series 2 IP65 SWS268 - Static White Series 2 IP68 SCS220 - Static Color Series 2 IP20 SCS265 - Static Color Series 2 IP65 SCS268 - Static Color Series 2 IP68 | RGBW20 - RGBWW 5-in-1 IP20 RGBWS220 - RGBW Series 2 IP20 RGBWS265 - RGBW Series 2 IP65 RGBWS268 - RGBW Series 2 IP68 RGBWA20 - RGBW/A IP20 RGBWA65 - RGBW/A IP65 RGBWA68 - RGBW/A IP68 | VWS220 - VW Series 2 IP20 VWS265 - VW Series 2 IP65 VWS268 - VW Series 2 IP68 WD20 - Warm Dim IP20 WD65 - Warm Dim IP65 WD68 - Warm Dim IP68 |

NOTE: To ensure waterproofing standards are met, IP65 and IP68 RibbonLyte can NOT be cut in the field.

| WATTAGE | COLOR |
|---|---|
| 0.75 - 0.75 W/ft (2.46 W/m - Static White, Static Color) | 18 - 1800K R - Red RGB27 - Red, Green, Blue + 2700K |
| 1.0 - 1.0 W/ft (3.3 W/m - Variable White) | 20 - 2000K A - Amber RGB30 - Red, Green, Blue + 3000K |
| 1.5 - 1.5 W/ft (4.9 W/m - Static White, Static Color) | 22 - 2200K G - Green RGB40 - Red, Green, Blue + 4000K |
| 2.2 - 2.2 W/ft (7.2 W/m - Static White, Static Color) | 24 - 2400K B - Blue RGB60 - Red, Green, Blue + 6000K |
| 2.4 - 2.4 W/ft (8 W/m - Static White) | 27 - 2700K RGB2465 - Red, Green, Blue + 2400K + 6500K |
| 3.0 - 3.0 W/ft (9.8 W/m - Static White, Static Color, Variable White) | 30 - 3000K RGBA - Red, Green, Blue + Amber |
| 4.3 - 4.3 W/ft (14 W/m - Static White) | 35 - 3500K VW - Variable White |
| 4.4 - 4.4 W/ft (14.4 W/m - Static White, Static Color, RGBW, RGBWW, RGBA) | 40 - 4000K 2920 - Warm Dim 2900K-2000K (IP20) |
| 5.2 - 5.2 W/ft (17.1 W/m - Warm Dim) | 60 - 6000K 2721 - Warm Dim 2900K-2000K (IP65) |
| 5.0 - 5.0 W/ft (16.4 W/m - Static White, Static Color) | |
| 5.5 - 5.5 W/ft (18.0 W/m - RGBW, RGBA) | |
| 6.0 - 6.0 W/ft (19.7 W/m - Static White, Static Color, Variable White) | |
| 6.1 - 6.1 W/ft (20 W/m - Variable White) | |
| 8.8 - 8.8 W/ft (28.86 W/m - RGBW, RGBWW) | |

CONNECTION OPTIONS (See diagrams on the right) Custom Length (ft.)

- 1 - End Feed Bare Wire Connection 4 - End Feed with IP67 Male Coupler
- 2 - Back Feed Bare Wire Connection 5 - Soldered Daisy Chain
- 3 - Side Feed Bare Wire Connection 6 - Daisy Chain With IP67 Couplers



STEP 3 Complete Assembly Option & Length

ASSEMBLY OPTION LENGTH (Standard factory assembled length up to 6 ft 6.7 in. / 2 m)

- FI - Field Assembly
- FA - Factory Assembly* (not recommended for exterior applications)

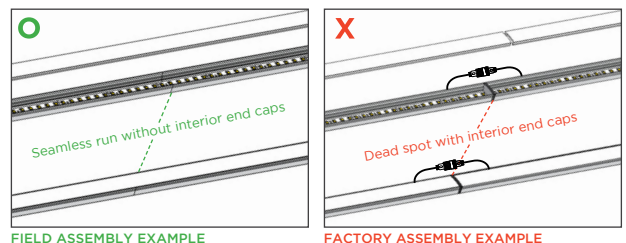
* Factory assembled runs exceeding 6 ft 6.7 in. (2 m) will be split into multiple daisy chained fixtures.

STEP 4 Add Accessories

ACCESSORIES

- CHCOUP180AS23SV - 180° Coupler Silver
- TILTSTANDST - Tilttable Stand
- CHMAGO.5 - Magnetic Mount

DO NOT BUTT END CAPS AGAINST EACH OTHER WHEN CREATING LONGER FIXTURES
 Acolyte STRONGLY SUGGESTS field assembly (without using interior end caps) for direct-view fixtures of more than 6 ft 6.7 in. (2 m) in length. Field assembly without interior end caps will eliminate gaps or dead spots that can be caused by butting interior end caps against each other.



RIBBONLYTE SPECIFICATIONS & COMPATIBILITY

| Available Wattage | Cuttable Length | LED Pitch | Color Temp. | lm/W without Lens | Delivered Lumens with Clear Lens (lm/ft / lm/m) | Delivered Lumens with Milky Lens (lm/ft / lm/m) | Delivered Lumens with Black Lens (lm/ft / lm/m) | Delivered Lumens with Square Lens (lm/ft / lm/m) | Max Length | Compatible with Channel | | |
|----------------------------|-------------------|-------------------------|-------------|-------------------|---|---|---|--|---|-------------------------|------|------|
| | | | | | | | | | | IP20 | IP65 | IP68 |
| 0.75 Static White Series 2 | 1.97 in. (50 mm) | 48 LEDs/ft (160 LEDs/m) | 1800K | 84 | 59 / 192 | 47 / 155 | 44 / 145 | 44 / 145 | IP20: 49 ft (15 m) IP65/IP68: 32.8 ft (10 m) | ✓ | ✓ | ✓ |
| | | | 2000K | 99 | 69 / 227 | 56 / 183 | 52 / 171 | 52 / 171 | | | | |
| | | | 2200K | 109 | 76 / 249 | 61 / 201 | 57 / 188 | 57 / 188 | | | | |
| | | | 2400K | 113 | 79 / 259 | 64 / 209 | 59 / 195 | 59 / 195 | | | | |
| | | | 2700K | 123 | 86 / 281 | 69 / 227 | 65 / 212 | 65 / 212 | | | | |
| | | | 3000K | 123 | 86 / 281 | 69 / 227 | 65 / 212 | 65 / 212 | | | | |
| | | | 3500K | 130 | 91 / 297 | 73 / 240 | 68 / 224 | 68 / 224 | | | | |
| | | | 4000K | 134 | 93 / 307 | 75 / 247 | 70 / 231 | 70 / 231 | | | | |
| | | | 6000K | 131 | 91 / 300 | 74 / 242 | 69 / 226 | 69 / 226 | | | | |
| 1.5 Static White Series 2 | 1.97 in. (50 mm) | 48 LEDs/ft (160 LEDs/m) | 1800K | 84 | 117 / 384 | 95 / 310 | 88 / 289 | 88 / 289 | IP20: 49 ft (15 m) IP65/IP68: 32.8 ft (10 m) | ✓ | ✓ | ✓ |
| | | | 2000K | 98 | 137 / 384 | 110 / 362 | 103 / 338 | 103 / 338 | | | | |
| | | | 2200K | 109 | 152 / 499 | 123 / 402 | 114 / 375 | 114 / 375 | | | | |
| | | | 2400K | 113 | 158 / 517 | 127 / 417 | 119 / 389 | 119 / 389 | | | | |
| | | | 2700K | 123 | 172 / 563 | 138 / 454 | 129 / 424 | 129 / 424 | | | | |
| | | | 3000K | 123 | 172 / 563 | 138 / 454 | 129 / 424 | 129 / 424 | | | | |
| | | | 3500K | 129 | 180 / 590 | 145 / 476 | 135 / 444 | 135 / 444 | | | | |
| | | | 4000K | 134 | 187 / 613 | 151 / 495 | 141 / 462 | 141 / 462 | | | | |
| | | | 6000K | 131 | 183 / 600 | 147 / 484 | 138 / 451 | 138 / 451 | | | | |
| 2.2 Static White Series 2 | 1.97 in. (50 mm) | 48 LEDs/ft (160 LEDs/m) | 1800K | 83 | 170 / 557 | 137 / 449 | 128 / 419 | 128 / 419 | IP20: 42 ft (12.8 m) IP65/IP68: 32.8 ft (10 m) | ✓ | ✓ | ✓ |
| | | | 2000K | 96 | 196 / 644 | 158 / 520 | 148 / 485 | 148 / 485 | | | | |
| | | | 2200K | 106 | 217 / 712 | 175 / 574 | 163 / 536 | 163 / 536 | | | | |
| | | | 2400K | 111 | 227 / 745 | 183 / 601 | 171 / 561 | 171 / 561 | | | | |
| | | | 2700K | 120 | 246 / 806 | 198 / 650 | 185 / 606 | 185 / 606 | | | | |
| | | | 3000K | 122 | 250 / 819 | 201 / 660 | 188 / 616 | 188 / 616 | | | | |
| | | | 3500K | 127 | 260 / 852 | 210 / 687 | 196 / 642 | 196 / 642 | | | | |
| | | | 4000K | 133 | 272 / 893 | 219 / 720 | 205 / 672 | 205 / 672 | | | | |
| | | | 6000K | 128 | 262 / 859 | 211 / 693 | 197 / 647 | 197 / 647 | | | | |
| 3.0 Static White Series 2 | 1.97 in. (50 mm) | 48 LEDs/ft (160 LEDs/m) | 1800K | 84 | 234 / 769 | 189 / 620 | 176 / 579 | 176 / 579 | IP20: 36 ft (11 m) IP65/IP68: 32.8 ft (10 m) | ✓ | ✓ | ✓ |
| | | | 2000K | 98 | 273 / 897 | 221 / 723 | 206 / 675 | 206 / 675 | | | | |
| | | | 2200K | 108 | 301 / 989 | 243 / 797 | 227 / 744 | 227 / 744 | | | | |
| | | | 2400K | 109.8 | 306 / 1005 | 247 / 811 | 231 / 756 | 231 / 756 | | | | |
| | | | 2700K | 122.9 | 343 / 1125 | 277 / 907 | 258 / 847 | 258 / 847 | | | | |
| | | | 3000K | 130 | 363 / 1190 | 293 / 960 | 273 / 896 | 273 / 896 | | | | |
| | | | 3500K | 133 | 371 / 1217 | 299 / 982 | 279 / 916 | 279 / 916 | | | | |
| | | | 4000K | 133 | 371 / 1217 | 299 / 982 | 279 / 916 | 279 / 916 | | | | |
| | | | 6000K | 128 | 357 / 1172 | 288 / 945 | 269 / 882 | 269 / 882 | | | | |
| 4.4 Static White Series 2 | 1.97 in. (50 mm) | 48 LEDs/ft (160 LEDs/m) | 1800K | 81 | 331 / 1087 | 267 / 877 | 249 / 818 | 249 / 818 | 28 ft 4 in. (8.64 m) | ✓ | ✓ | ✓ |
| | | | 2000K | 95 | 389 / 1275 | 314 / 1029 | 293 / 960 | 293 / 960 | | | | |
| | | | 2200K | 105 | 430 / 1410 | 347 / 1137 | 323 / 1061 | 323 / 1061 | | | | |
| | | | 2400K | 109 | 446 / 1463 | 360 / 1180 | 336 / 1101 | 336 / 1101 | | | | |
| | | | 2700K | 122 | 499 / 1638 | 403 / 1321 | 376 / 1233 | 376 / 1233 | | | | |
| | | | 3000K | 129 | 528 / 1732 | 426 / 1397 | 397 / 1304 | 397 / 1304 | | | | |
| | | | 3500K | 132 | 540 / 1772 | 436 / 1429 | 407 / 1334 | 407 / 1334 | | | | |
| | | | 4000K | 132 | 540 / 1772 | 436 / 1429 | 407 / 1334 | 407 / 1334 | | | | |
| | | | 6000K | 126 | 516 / 1692 | 416 / 1364 | 388 / 1273 | 388 / 1273 | | | | |
| 5.0 Static White Series 2 | 1.4 in. (35.7 mm) | 68 LEDs/ft (224 LEDs/m) | 1800K | 83 | 386 / 1266 | 311 / 1021 | 291 / 953 | 291 / 953 | IP20: 33 ft 4 in. (10.1 m) IP65/IP68: 32.8 ft (10 m) | ✓ | ✓ | ✓ |
| | | | 2000K | 98 | 456 / 1495 | 368 / 1206 | 343 / 1125 | 343 / 1125 | | | | |
| | | | 2200K | 107 | 498 / 1632 | 401 / 1316 | 375 / 1229 | 375 / 1229 | | | | |
| | | | 2400K | 110 | 511 / 1675 | 412 / 1351 | 384 / 1261 | 384 / 1261 | | | | |
| | | | 2700K | 123 | 571 / 1875 | 461 / 1512 | 430 / 1411 | 430 / 1411 | | | | |
| | | | 3000K | 130 | 605 / 1983 | 488 / 1599 | 455 / 1493 | 455 / 1493 | | | | |
| | | | 3500K | 133 | 618 / 2029 | 499 / 1636 | 466 / 1527 | 466 / 1527 | | | | |
| | | | 4000K | 133 | 618 / 2029 | 499 / 1636 | 466 / 1527 | 466 / 1527 | | | | |
| | | | 6000K | 127 | 591 / 1937 | 476 / 1562 | 445 / 1458 | 445 / 1458 | | | | |
| 6.0 Static White Series 2 | 1.4 in. (35.7 mm) | 68 LEDs/ft (224 LEDs/m) | 1800K | 82 | 458 / 1501 | 369 / 1211 | 344 / 1130 | 344 / 1130 | 28 ft (8.5 m) | ✓ | ✓ | ✓ |
| | | | 2000K | 95 | 530 / 1739 | 428 / 1403 | 399 / 1309 | 399 / 1309 | | | | |
| | | | 2200K | 106 | 591 / 1941 | 477 / 1565 | 445 / 1461 | 445 / 1461 | | | | |
| | | | 2400K | 109 | 608 / 1995 | 491 / 1609 | 458 / 1502 | 458 / 1502 | | | | |
| | | | 2700K | 122 | 681 / 2233 | 549 / 1801 | 512 / 1681 | 512 / 1681 | | | | |
| | | | 3000K | 129 | 720 / 2362 | 581 / 1905 | 542 / 1778 | 542 / 1778 | | | | |
| | | | 3500K | 132 | 737 / 2417 | 594 / 1949 | 554 / 1819 | 554 / 1819 | | | | |
| | | | 4000K | 132 | 737 / 2417 | 594 / 1949 | 554 / 1819 | 554 / 1819 | | | | |
| | | | 6000K | 126 | 703 / 2307 | 567 / 1860 | 529 / 1736 | 529 / 1736 | | | | |

RIBBONLYTE SPECIFICATIONS & COMPATIBILITY

| Available Wattages | Cuttable Length | LED Pitch | Color Temp. | lm/W without Lens | Delivered Lumens with Clear Lens (lm/ft / lm/m) | Delivered Lumens with Milky Lens (lm/ft / lm/m) | Delivered Lumens with Black Lens (lm/ft / lm/m) | Delivered Lumens with Square Lens (lm/ft / lm/m) | Max Length | Compatible with Channel | | |
|----------------------------|---------------------|--------------------------|---------------|-------------------|---|---|---|--|--|-------------------------|------|------|
| | | | | | | | | | | IP20 | IP65 | IP68 |
| 0.75 Static Color Series 2 | 1.97 in. (50 mm) | 48 LEDs/ft (160 LEDs/m) | Red | 41 | 29 / 94 | 23 / 76 | 22 / 71 | 22 / 71 | IP20: 49 ft (15 m) IP65/ IP68: 32.8 ft (10 m) | ✓ | ✓ | ✓ |
| | | | Green | 175 | 122 / 400 | 98 / 323 | 92 / 301 | 92 / 301 | | | | |
| | | | Blue | 19 | 13 / 43 | 11 / 35 | 10 / 33 | 10 / 33 | | | | |
| | | | Amber | 34 | 24 / 78 | 19 / 63 | 18 / 59 | 18 / 59 | | | | |
| 1.5 Static Color Series 2 | 1.97 in. (50 mm) | 48 LEDs/ft (160 LEDs/m) | Red | 42 | 59 / 192 | 47 / 155 | 44 / 145 | 44 / 145 | IP20: 49 ft (15 m) IP65/ IP68: 32.8 ft (10 m) | ✓ | ✓ | ✓ |
| | | | Green | 160 | 223 / 732 | 180 / 591 | 168 / 551 | 168 / 551 | | | | |
| | | | Blue | 18 | 25 / 82 | 20 / 66 | 19 / 62 | 19 / 62 | | | | |
| | | | Amber | 34 | 47 / 156 | 38 / 125 | 36 / 117 | 36 / 117 | | | | |
| 2.2 Static Color Series 2 | 1.97 in. (50 mm) | 48 LEDs/ft (160 LEDs/m) | Red | 42 | 86 / 282 | 69 / 227 | 65 / 212 | 65 / 212 | IP20: 42 ft (12.8 m) IP65/ IP68: 32.8 ft (10 m) | ✓ | ✓ | ✓ |
| | | | Green | 145 | 297 / 973 | 239 / 785 | 223 / 733 | 223 / 733 | | | | |
| | | | Blue | 18 | 37 / 121 | 30 / 97 | 28 / 91 | 28 / 91 | | | | |
| | | | Amber | 34 | 70 / 228 | 56 / 184 | 52 / 172 | 52 / 172 | | | | |
| 3.0 Static Color Series 2 | 1.97 in. (50 mm) | 48 LEDs/ft (160 LEDs/m) | Red | 40 | 112 / 366 | 90 / 295 | 84 / 276 | 84 / 276 | 32.8 ft (10 m) | ✓ | ✓ | ✓ |
| | | | Green | 127 | 354 / 1162 | 286 / 937 | 267 / 875 | 267 / 875 | | | | |
| | | | Blue | 25 | 70 / 229 | 56 / 185 | 53 / 172 | 53 / 172 | | | | |
| | | | Amber | 29 | 81 / 265 | 65 / 214 | 61 / 200 | 61 / 200 | | | | |
| 4.4 Static Color Series 2 | 1.97 in. (50 mm) | 48 LEDs/ft (160 LEDs/m) | Red | 38 | 155 / 510 | 125 / 411 | 117 / 384 | 117 / 384 | 29 ft (8.8 m) | ✓ | ✓ | ✓ |
| | | | Green | 117 | 479 / 1571 | 386 / 1267 | 360 / 1182 | 360 / 1182 | | | | |
| | | | Blue | 24 | 98 / 322 | 79 / 260 | 74 / 243 | 74 / 243 | | | | |
| | | | Amber | 25 | 102 / 336 | 83 / 271 | 77 / 253 | 77 / 253 | | | | |
| 5.0 Static Color Series 2 | 1.4 in. (35.7 mm) | 68 LEDs/ft (224 LEDs/m) | Red | 37 | 172 / 564 | 139 / 455 | 130 / 425 | 130 / 425 | 30 ft (9.14 m) | ✓ | ✓ | ✓ |
| | | | Green | 116 | 539 / 1770 | 435 / 1427 | 406 / 1332 | 406 / 1332 | | | | |
| | | | Blue | 24 | 112 / 366 | 90 / 295 | 84 / 276 | 84 / 276 | | | | |
| | | | Amber | 26 | 121 / 397 | 98 / 320 | 91 / 299 | 91 / 299 | | | | |
| 6.0 Static Color Series 2 | 1.4 in. (35.7 mm) | 68 LEDs/ft (224 LEDs/m) | Red | 37 | 206 / 677 | 167 / 546 | 155 / 510 | 155 / 510 | 28 ft (8.5 m) | ✓ | ✓ | ✓ |
| | | | Green | 113 | 631 / 2069 | 509 / 1668 | 475 / 1557 | 475 / 1557 | | | | |
| | | | Blue | 23 | 128 / 421 | 104 / 340 | 97 / 317 | 97 / 317 | | | | |
| | | | Amber | 24 | 134 / 439 | 108 / 354 | 101 / 331 | 101 / 331 | | | | |
| 2.4 Static White Linea | 1.97 in. (50 mm) | 146 LEDs/ft (480 LEDs/m) | 2700K | 67 | 149.7 / 491 | 120.8 / 396 | 112.7 / 369.6 | 112.7 / 369.6 | 21.3 ft (6.5 m) | ✓ | N/A | N/A |
| | | | 3000K | 71 | 158.1 / 519.9 | 127.5 / 419.3 | 119 / 391.3 | 119 / 391.3 | | | | |
| | | | 3500K | 83 | 185.1 / 608.2 | 149.3 / 490.5 | 139.3 / 457.8 | 139.3 / 457.8 | | | | |
| | | | 4000K | 83 | 185.1 / 608.2 | 149.3 / 490.5 | 139.3 / 457.8 | 139.3 / 457.8 | | | | |
| 3.0 Static White Linea | 1.97 in. (50 mm) | 146 LEDs/ft (480 LEDs/m) | 2700K | 66 | 184.1 / 604.5 | 148.5 / 487.5 | 138.6 / 455 | 138.6 / 455 | 21.3 ft (6.5 m) | ✓ | N/A | N/A |
| | | | 3000K | 73 | 203.7 / 668.7 | 164.3 / 539.3 | 153.3 / 503.3 | 153.3 / 503.3 | | | | |
| | | | 3500K | 78 | 217.6 / 714.2 | 175.5 / 576 | 163.8 / 537.6 | 163.8 / 537.6 | | | | |
| | | | 4000K | 83 | 231.6 / 759.8 | 186.8 / 612.8 | 174.3 / 571.9 | 174.3 / 571.9 | | | | |
| 4.3 Static White Linea | 1.97 in. (50 mm) | 146 LEDs/ft (480 LEDs/m) | 2700K | 75 | 300.4 / 983.9 | 242.3 / 793.5 | 226.1 / 740.6 | 226.1 / 740.6 | 24.6 ft (7.5 m) | ✓ | N/A | N/A |
| | | | 3000K | 78 | 311.6 / 023 | 251.3 / 825 | 234.5 / 770 | 234.5 / 770 | | | | |
| | | | 3500K | 86 | 344.1 / 129 | 277.5 / 910.5 | 259 / 849.8 | 259 / 849.8 | | | | |
| | | | 4000K | 86 | 344.1 / 29 | 277.5 / 910.5 | 259 / 849.8 | 259 / 849.8 | | | | |
| 6.1 Variable White Linea | 1.09 in. (27.78 mm) | 175 LEDs/ft (576 LEDs/m) | 2700K + 6500K | 95 | 539.4 / 1769.8 | 435 / 427.3 | 406 / 332.1 | 406 / 332.1 | 16.4 ft (5 m) | ✓ | N/A | N/A |

RIBBONLYTE SPECIFICATIONS & COMPATIBILITY

| Available Wattages | Cuttable Length | LED Pitch | Color Temp. | lm/W without Lens | Delivered Lumens with Clear Lens (lm/ft / lm/m) | Delivered Lumens with Milky Lens (lm/ft / lm/m) | Delivered Lumens with Black Lens (lm/ft / lm/m) | Delivered Lumens with Square Lens (lm/ft / lm/m) | Max Length | Compatible with Channel | | |
|-----------------------------|---------------------|-------------------------|---------------|-------------------|---|---|---|--|--|-------------------------|------|------|
| | | | | | | | | | | IP20 | IP65 | IP68 |
| 1.0 Variable White Series 2 | 1.97 in. (50 mm) | 42 LEDs/ft (140 LEDs/m) | 2000K + 6500K | 85 | 79 / 259 | 64 / 209 | 60 / 195 | 60 / 195 | 32.8 ft (10 m) | ✓ | ✓ | ✓ |
| 3.0 Variable White Series 2 | 1.97 in. (50 mm) | 42 LEDs/ft (140 LEDs/m) | 2000K + 6500K | 80 | 223 / 732 | 180 / 591 | 168 / 551 | 168 / 551 | 32.8 ft (10 m) | ✓ | ✓ | ✓ |
| 6.0 Variable White Series 2 | 1.97 in. (50 mm) | 42 LEDs/ft (140 LEDs/m) | 2000K + 6500K | 75 | 419 / 1373 | 338 / 1107 | 315 / 1033 | 315 / 1033 | 19 ft 8 in. (6 m) | ✓ | ✓ | ✓ |
| 4.4 RGBW Series 2 | 1.97 in. (50 mm) | 36 LEDs/ft (120 LEDs/m) | RGBW | 45 | 188.1 / 617.2 | 148.5 / 487.2 | 138.6 / 454.7 | 138.6 / 454.7 | 19 ft 8 in. (6 m) | ✓ | N/A | N/A |
| 5.5 RGBW Series 2 | 1.97 in. (50 mm) | 36 LEDs/ft (120 LEDs/m) | RGBW | 59 | 308.8 / 1013.0 | 243.3 / 798.5 | 227.2 / 745.3 | 227.2 / 745.3 | IP65: 16 ft 4 in. (5 m) IP68: 19 ft 7.9 in. (6 m) | N/A | ✓ | ✓ |
| 8.8 RGBW Series 2 | 1.97 in. (50 mm) | 36 LEDs/ft (120 LEDs/m) | RGBW | 61 | 510.2 / 1673.8 | 402.6 / 1320.9 | 375.8 / 1232.9 | 375.8 / 1232.9 | 16 ft 4 in. (5 m) | ✓ | N/A | N/A |
| 4.4 RGBW | 6.55 in. (166.4 mm) | 18 LEDs/ft (60 LEDs/m) | RGBW | 65 | 266 / 873 | 57 / 187 | 57 / 187 | 57 / 187 | 19 ft 7.9 in. (6 m) | ✓ | ✓ | ✓ |
| 4.4 RGBA | 6.55 in. (166.4 mm) | 18 LEDs/ft (60 LEDs/m) | RGBA | 33 | 135 / 443 | 200 / 657 | 200 / 657 | 200 / 657 | 19 ft 7.9 in. (6 m) | ✓ | ✓ | ✓ |
| 5.5 4-in-1 RGBW | 3.94 in. (100 mm) | 18 LEDs/ft (60 LEDs/m) | RGBW | 51 | 261 / 856 | 196 / 644 | 196 / 644 | 196 / 644 | 19 ft 7.9 in. (6 m) | ✓ | ✓ | ✓ |
| 5.5 4-in-1 RGBA | 3.94 in. (100 mm) | 18 LEDs/ft (60 LEDs/m) | RGBA | 27 | 138 / 453 | 104 / 341 | 104 / 341 | 104 / 341 | 19 ft 7.9 in. (6 m) | ✓ | ✓ | ✓ |
| 4.4 5-in-1 RGBWW | 2.46 in. (62.5 mm) | 29 LED/ft (96 LED/m) | RGBWW | 59 | 241.4 / 792.1 | 194.7 / 638.8 | 181.7 / 308.0 | 181.7 / 596.2 | 16 ft 4 in (5 m) | ✓ | N/A | N/A |
| 8.8 5-in-1 RGBWW | 2.46 in. (62.5 mm) | 29 LED/ft (96 LED/m) | RGBWW | 50 | 409.2 / 1342.6 | 330.0 / 1082.7 | 596.2 / 1010.5 | 308.0 / 1010.5 | 11 ft 6 in (3.5 m) | ✓ | N/A | N/A |
| 5.2 Warm Dim | 3.94 in. (100 mm) | 36 LEDs/ft (120 LEDs/m) | WARM DIM | 55 | 266 / 873 | 200 / 657 | 200 / 657 | 200 / 657 | 16 ft 4 in. (5 m) | ✓ | ✓ | ✓ |

DIODE VISIBILITY CHART (Data below applies to installations with Milky lens only)



| Static White & Static Color RibbonLyte | | | Color Changing RibbonLyte | | | | | | | | |
|--|----------------------|----------------------|---------------------------|-------------------|-------------------|--------------|-------------------|------------------|------------------|----------------------|----------------------|
| 0.75/1.5/2.2 | 3.0/4.4 | 5.0/6.0 | 4.4 RGBW Series 2 | 5.5 RGBW Series 2 | 8.8 RGBW Series 2 | 4.4 RGBW/A | 5.5 4-in-1 RGBW/A | 4.4 5-in-1 RGBWW | 8.8 5-in-1 RGBWW | Warm Dim | Variable White |
| IP20 IP65 IP68 | IP20 IP65 IP68 | IP20 IP65 IP68 | IP20 | IP65 IP68 | IP20 | IP20 IP65 | IP20 IP65 | IP20 | IP20 | IP20 IP65 IP68 | IP20 IP65 IP68 |
| N | N | N | N | N | N | N | N | N | N | N | N |

AVAILABLE DRIVERS / CONTROLLERS AND DIMMING OPTIONS / WIRE GAUGE CHART

NON-DIMMING ELECTRONIC DRIVERS

ELV & MLV DRIVERS



30W, 60W, 96W
Non-Dimming Electronic
Class 2 Drivers

Part No.:
• DRVW2430 (30 Watt)
• DRVW2460 (60 Watt)
• DRVW2496 (96 Watt)
Output Voltage: 24 V
Voltage Range: 120-277 VAC
IP Rating: Dry or Damp
UL Listed



240W, 320W
Non-Dimming
Electronic Drivers

Part No.:
• DRVW24240 (240 Watt)
• DRVW24320 (320 Watt)
Output Voltage: 24 V
Voltage Range: 90-305 VAC
IP Rating: Dry or Damp
UL Recognized



60W, 96W, 150W, 300W, 600W_test
ELV/MLV Dimmable Drivers

Part No.:
• DRVW2460ELVMLV (60 Watt)
• DRVW2496ELVMLV (96 Watt)
• DRVW24150ELVMLV (150 Watt)
• DRVW24300ELVMLV (300 Watt)
Line Voltage Dimmable Drivers
Output Voltage: 24 V
Voltage Range: 100-277 VAC
IP Rating: IP67
UL, CE, and CSA Listed

0-10V DRIVERS



0-10V Dimmable Waterproof Drivers

96W Part No.: DRVW249610P
288W Part No.: DRVW2428810P
Output Voltage: 24 V (+/- 0.5V)
Voltage Range: 100-277 VAC
Environmental Rating: UL Wet Location
UL Listed



0-10V Dimmable 90W VW/WD Driver

Part No.: DRVRFWDVW2490120

DMX CONTROLLER AND PART NUMBER - FOR COLOR CHANGING VERSIONS



GLASS TOUCH
WALL CONTROLLERS
Part Number: AWCRCBWWBK
AWCVWBK



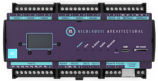
1 ZONE WALL CONTROLLER
Part Number: DMXCTRLG



5 ZONE WALL CONTROLLER
Part Number: DMXCTRL



10 ZONE WALL CONTROLLER
Part Number: DMXCTRLD



2 UNIVERSE DMX CONTROLLER
Part Number: DMXCTRLDR2U



4 CHANNEL WATERPROOF
DMX INTERFACE
Part Number: DMXINFWLCD4



5 CHANNEL
DMX INTERFACE
Part Number: DMXINFOLED5



DMX OPTO SPLITTER
Part Number: DMXOS8

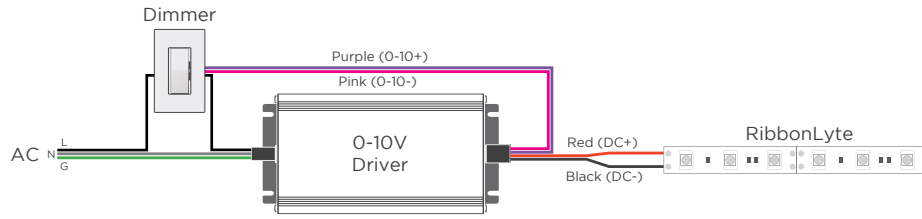
6 UNIVERSE DMX CONTROLLER
Part Number: DMXCTRLDR6U

DRIVER AND RIBBONLYTE AT FULL LOAD

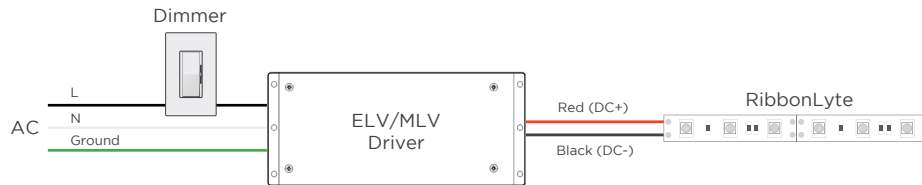
| Wattages | 30 | | 60 | | 96 | | 150 | | 200 | | 240 | | 300 | | 320 | | |
|-------------------------------|------------|--------|--------|--------|--------|-------|--------|-------|--------|-------|--------|-------|--------|-------|--------|-------|--------|
| | Wire Gauge | Feet | Meters | Feet | Meters | Feet | Meters | Feet | Meters | Feet | Meters | Feet | Meters | Feet | Meters | Feet | Meters |
| 24 AWG / 0.25 mm ² | 14 | 4.27 | 9 | 2.74 | 5.5 | 1.68 | 3.75 | 1.14 | 2.75 | 0.84 | 2.25 | 0.69 | 1.75 | 0.53 | 1.75 | 0.53 | 0.53 |
| 22 AWG / 0.34 mm ² | 22 | 6.71 | 14 | 4.27 | 9 | 2.74 | 5.75 | 1.75 | 4.5 | 1.37 | 3.5 | 1.07 | 2.75 | 0.84 | 2.75 | 0.84 | 0.84 |
| 20 AWG / 0.5 mm ² | 35 | 10.67 | 23 | 7.01 | 14 | 4.27 | 9 | 2.74 | 7 | 2.13 | 5.75 | 1.75 | 4.5 | 1.37 | 4.25 | 1.30 | 1.30 |
| 18 AWG / 0.75 mm ² | 56 | 17.07 | 37 | 11.28 | 23 | 7.01 | 15 | 4.57 | 11 | 3.35 | 9 | 2.74 | 7.5 | 2.29 | 7 | 2.13 | 2.13 |
| 16 AWG / 1.5 mm ² | 90 | 27.44 | 60 | 18.29 | 37 | 11.28 | 24 | 7.32 | 18 | 5.49 | 15 | 4.57 | 12 | 3.66 | 11 | 3.35 | 3.35 |
| 14 AWG / 2.5 mm ² | 142 | 43.29 | 95 | 28.96 | 59 | 17.99 | 38 | 11.59 | 28 | 8.54 | 23 | 7.01 | 19 | 5.79 | 17 | 5.18 | 5.18 |
| 12 AWG / 4 mm ² | 226 | 68.90 | 151 | 46.04 | 94 | 28.66 | 60 | 18.29 | 45 | 13.72 | 37 | 11.28 | 30 | 9.15 | 28 | 8.54 | 8.54 |
| 10 AWG / 6 mm ² | 360 | 109.76 | 240 | 73.17 | 150 | 45.73 | 96 | 29.27 | 72 | 21.95 | 60 | 18.29 | 48 | 14.63 | 45 | 13.72 | 13.72 |
| 8 AWG / 10 mm ² | 574 | 175.00 | 381 | 116.16 | 239 | 72.87 | 153 | 46.65 | 115 | 35.06 | 95 | 28.96 | 76 | 23.17 | 71 | 21.65 | 21.65 |

WIRING DIAGRAMS

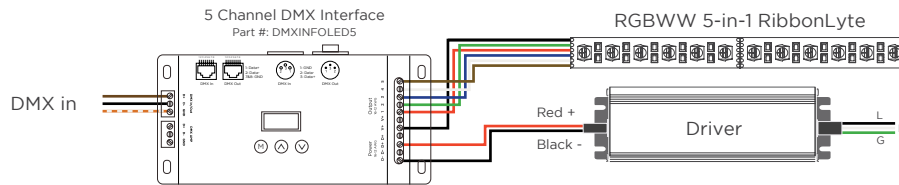
0-10V



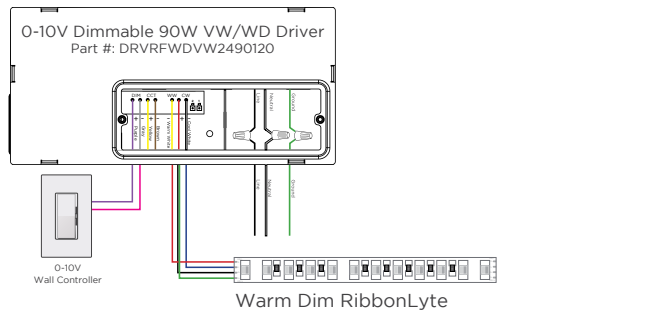
MLV / ELV



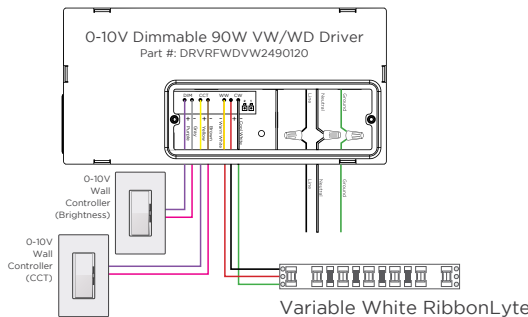
DMX



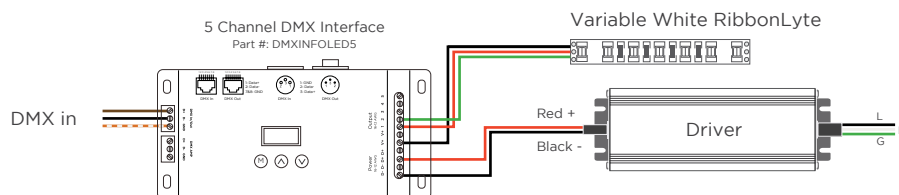
WARM DIM



2-CHANNEL VARIABLE WHITE DIMMING



DMX WIRING DIAGRAM - COMPATIBLE WITH ALL MODELS OF VARIABLE WHITE RIBBONLYTE



WIRE COLORS PER RIBBONLYTE COLOR

STATIC WHITE + STATIC COLOR

Red Wire (+) Positive
Black Wire (-) Negative

RGBW + RGBA

Black Wire (+) Positive
Green Wire (-) goes to Green Channel
Red Wire (-) goes to Red Channel
Blue Wire (-) goes to Blue Channel
White Wire (-) goes to White Channel

RGBWW

Black (+) Positive
Green Wire (-) goes to Green Channel
Red Wire (-) goes to Red Channel
Blue Wire (-) goes to Blue Channel
White Wire (-) goes to White Channel 1
Brown Wire (-) goes to White Channel 2

WARM DIM

Red Wire (-) goes to Warm White Channel
Blue Wire (-) goes to Cool White Channel
Black Wire (+) goes to Warm White Channel
Green Wire (+) goes to Cool White Channel

VARIABLE WHITE

Black Wire (+) Positive
Red Wire (-) goes to Warm White Channel
Green Wire (-) goes to Cool White Channel