

AC5 CHANNEL FIXTURE

AC5 Channel Fixture is a large, rounded asymmetrical channel with a 132-degree beam angle that is ideal for a wide, even spread of light. This screw-in or clip-mounted channel is designed for corner and angled applications and includes a choice of frosted or milky lens. Custom design a fixture with our AC5 Channel Fixture and RibbonLyte products.

- Available for field assembly or factory assembly
- Beam Angle 132°
- Wattage Range from 0.75 W/ft (2.46 W/m) to 8.8 W/ft (28.9 W/m)
- Static White delivered lumen range from 44.1 lm/ft (144.6 lm/m) up to 729.4 lm/ft (2392.5 lm/m)
- Assembled in USA
- For interior applications only



HOUSING FINISHES



Silver

AVAILABLE LENS FINISHES

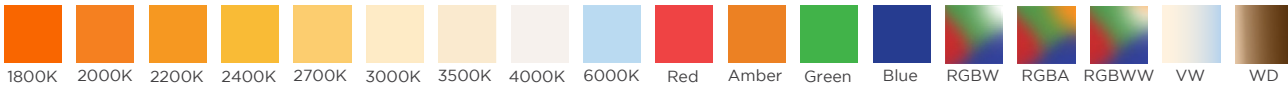


Frosted Lens
85% Light Transmission



Milky Lens
70% Light Transmission

AVAILABLE COLORS & COLOR TEMPERATURES



DIMENSIONS

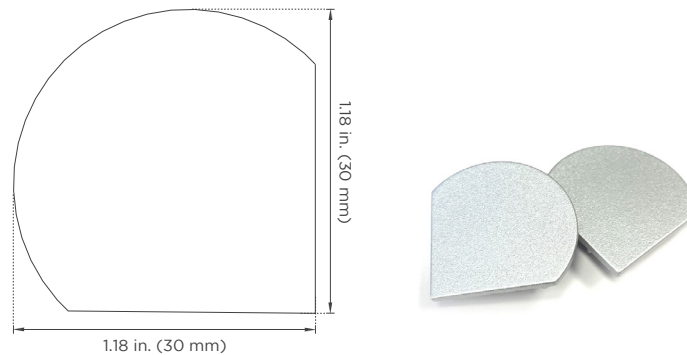
| AC5 Channel | Mounting Clip (Included Accessory) |
|---|---|
| <p>Width: 1.18 in. (30 mm) Height: 1.18 in. (30 mm) Internal Width: 0.77 in. (19.6 mm)</p> | <p>Top View</p> <p>Width: 0.71 in. (18 mm) Length: 1.35 in. (34.3 mm)</p> <p>Side View / Assembled View</p> <p>Height: 1.32 in. (33.5 mm)</p> <p>Note: Each section of channel includes 3 mounting clips.</p> |

SPECIFICATIONS

| | |
|--------------------------------|--|
| Beam Angle | 132° |
| Lens Type | Frosted Lens, Milky Lens |
| Length | Channel is sold by the foot and cut to your exact desired length. Required amount of mounting clips included. |
| Operating Voltage | 24V |
| Dimming | MLV / 0-10 Volt / ELV / DALI / DMX |
| Operating Temperature | -40° F to 158° F (-40° C to 70° C) |
| Colors | 1800K, 2000K, 2200K, 2400K, 2700K, 3000K, 3500K, 4000K, 6000K, Red, Amber, Green, Blue, RGBW, RGBWW, RGBA, VW, Warm Dim, RGBW Addressable (1800K, 2000K, 2200K only available in IP20) |
| CRI | 90+ CRI (Static white only) |
| Lamp Life | L70 at 50,000 Hours |
| MacAdam Ellipses (SDCM) | 2-Step Binning (For Static White LEDs only) |
| Certifications | UL Listed UL 2108 Issued: 2004/02/27 Ed: 1 Rev: 2014/02/24 Low Voltage Lighting Systems CSA C22.2#9.0 Issued: 1996/06/01 Ed: 1 (R2011) General Requirements for Luminaires; with Gen. Inst. 1: 1997, Gen Inst. 2: 1998. ROHS compliant |

ACCESSORIES

End Cap



Each end cap adds 0.08 in. (2 mm) to the total length of each run.

ORDERING GUIDE

STEP 1 Complete Channel Part Number

| CHANNEL | LENS | HOUSING COLOR |
|---------------------|------------------------------------|---------------|
| CHAC5 | | SV |
| CHAC5 - AC5 Channel | F - Frosted Lens M - Milky Lens | SV - Silver |

STEP 2 Complete RibbonLyte Part Number

| CATEGORY | CRI | RIBBON TYPE & IP RATING | | |
|-----------------|----------------------------------|-------------------------------------|---------------------------------|---------------------------|
| RB | | | | |
| RB - RibbonLyte | 0 - Static Color, Color Changing | LINEA20 - Linea RibbonLyte IP20 | RGBWW20 - RGBWW 5-in-1 IP20 | VWS220 - VW Series 2 IP20 |
| | 90 - 90+ CRI Static White | SWS220 - Static White Series 2 IP20 | RGBWS220 - RGBW Series 2 IP20 | VWS265 - VW Series 2 IP65 |
| | | SWS265 - Static White Series 2 IP65 | RGBWS265 - RGBW Series 2 IP65 | WD20 - Warm Dim IP20 |
| | | SCS220 - Static Color Series 2 IP20 | RGBWADD - Addressable RGBW IP67 | WD65 - Warm Dim IP65 |
| | | SCS265 - Static Color Series 2 IP65 | | |

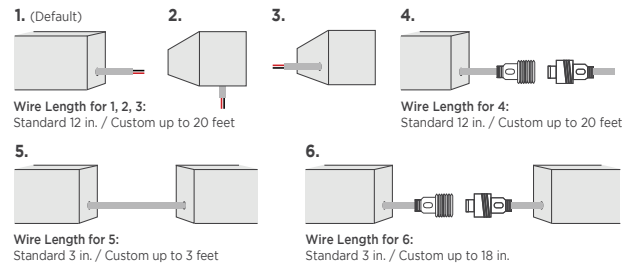
NOTE: To ensure waterproofing standards are met, IP65, IP67, and IP68 RibbonLyte can NOT be cut in the field.

| WATTAGE | COLOR |
|--|------------|
| 0.75 - 0.75 W/ft (2.46 W/m - Static White, Static Color) | 18 - 1800K |
| 1.0 - 1.0 W/ft (3.3 W/m - Variable White) | 20 - 2000K |
| 1.5 - 1.5 W/ft (4.9 W/m - Static White, Static Color) | 22 - 2200K |
| 2.2 - 2.2 W/ft (7.2 W/m - Static White, Static Color) | 24 - 2400K |
| 2.4 - 2.4 W/ft (8 W/m - Static White) | 27 - 2700K |
| 3.0 - 3.0 W/ft (9.8 W/m - Static White, Static Color, Variable White) | 30 - 3000K |
| 4.3 - 4.3 W/ft (14 W/m - Static White) | 35 - 3500K |
| 4.4 - 4.4 W/ft (14.4 W/m - Static White, Static Color, RGBW, RGBWW, RGBA) | 40 - 4000K |
| 5.0 - 5.0 W/ft (16.4 W/m - Static White, Static Color) | 60 - 6000K |
| 5.2 - 5.2 W/ft (17.1 W/m - Warm Dim) | R - Red |
| 5.5 - 5.5 W/ft (18.0 W/m - RGBW, RGBA) | A - Amber |
| 6.0 - 6.0 W/ft (19.7 W/m - Static White, Static Color, Variable White, RGBW Addressable) | G - Green |
| 6.1 - 6.1 W/ft (20 W/m - Variable White) | B - Blue |
| 8.8 - 8.8 W/ft (28.9 W/m - RGBW, RGBWW, RGBA) | |

COLOR

VW - Variable White
 RGB27 - Red, Green, Blue + 2700K
 RGB30 - Red, Green, Blue + 3000K
 RGB40 - Red, Green, Blue + 4000K
 RGB2465 - Red, Green, Blue + 2400K + 6500K
 RGBA - Red, Green, Blue + Amber
 RGBW30 - RGB + 3000K Addressable
 RGBW40 - RGB + 4000K Addressable
 RGBW60 - RGB + 6000K Addressable
 2920 - Warm Dim 2900K - 2000K (IP20)
 2721 - Warm Dim 2700K - 2100K (IP65+IP68)
 Z - Undecided**
 ** For quotes only. Must be chosen before final order.

| CONNECTION OPTIONS (See diagrams on the right) | Custom Length (ft.) |
|--|---------------------|
| 1 - End Feed Bare Wire Connection | |
| 2 - Back Feed Bare Wire Connection | |
| 3 - Side Feed Bare Wire Connection | |
| 4 - End Feed with IP67 Male Coupler | |
| 5 - Soldered Daisy Chain | |
| 6 - Daisy Chain With IP67 Couplers | |

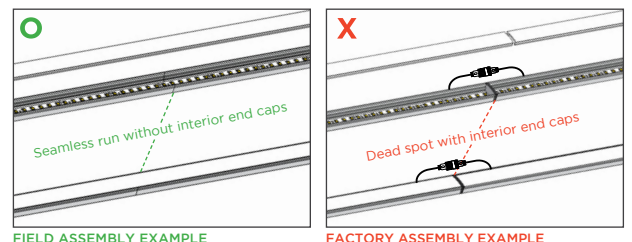


STEP 3 Complete Assembly Option & Length

| ASSEMBLY OPTION | LENGTH (Standard factory assembled length up to 6 ft 6.7 in. / 2 m) |
|------------------------|---|
| FI - Field Assembly | |
| FA - Factory Assembly* | |

* Factory assembled runs exceeding 6 ft 6.7 in. (2 m) will be split into multiple daisy chained fixtures.

DO NOT BUTT END CAPS AGAINST EACH OTHER WHEN CREATING LONGER FIXTURES
 Acolyte STRONGLY SUGGESTS field assembly (without using interior end caps) for direct-view fixtures of more than 6 ft 6.7 in. (2 m) in length. Field assembly without interior end caps will eliminate gaps or dead spots that can be caused by butting interior end caps against each other.



RIBBONLYTE SPECIFICATIONS & COMPATIBILITY

| Available Wattages | Cuttable Length | LED Pitch | Color Temp. | lm/W without Lens | Delivered Lumens with Frosted Lens | Delivered Lumens with Milky Lens | Max Length | Compatible with Channel | | |
|----------------------------|-------------------|---------------------------|---------------------------|-------------------|------------------------------------|----------------------------------|---|-------------------------|------|------|
| | | | | | | | | IP20 | IP65 | IP68 |
| 0.75 Static White Series 2 | 1.97 in. (50 mm) | 48 LEDs/ft (160 LEDs/m) | 1800K | 84 | 53.6 lm/ft (175.8 lm/m) | 44.1 lm/ft (144.6 lm/m) | IP20: 49 ft (15 m) IP65/IP68: 32.8 ft (10 m) | ✓ | ✓ | |
| | | | 2000K | 99 | 63.1 lm/ft (207 lm/m) | 52 lm/ft (170.6 lm/m) | | | | |
| | | | 2200K | 109 | 69.5 lm/ft (228 lm/m) | 57.2 lm/ft (187.6 lm/m) | | | | |
| | | | 2400K | 113 | 72.0 lm/ft (236.2 lm/m) | 59.3 lm/ft (194.5 lm/m) | | | | |
| | | | 2700K | 123 | 78.4 lm/ft (257.2 lm/m) | 64.6 lm/ft (211.9 lm/m) | | | | |
| | | | 3000K | 123 | 78.4 lm/ft (257.2 lm/m) | 64.6 lm/ft (211.9 lm/m) | | | | |
| | | | 3500K | 130 | 82.9 lm/ft (272 lm/m) | 68.3 lm/ft (224 lm/m) | | | | |
| | | | 4000K | 134 | 85.4 lm/ft (280.1 lm/m) | 70.4 lm/ft (230.9 lm/m) | | | | |
| | | | 6000K | 131 | 83.5 lm/ft (273.9 lm/m) | 68.8 lm/ft (225.7 lm/m) | | | | |
| 1.5 Static White Series 2 | 1.97 in. (50 mm) | 48 LEDs/ft (160 LEDs/m) | 1800K | 84 | 107.1 lm/ft (351.3 lm/m) | 88.2 lm/ft (289.3 lm/m) | IP20: 49 ft (15 m) IP65/IP68: 32.8 ft (10 m) | ✓ | ✓ | |
| | | | 2000K | 98 | 125 lm/ft (410 lm/m) | 102.9 lm/ft (337.5 lm/m) | | | | |
| | | | 2200K | 109 | 139 lm/ft (455.9 lm/m) | 114.5 lm/ft (375.6 lm/m) | | | | |
| | | | 2400K | 113 | 144.1 lm/ft (472.6 lm/m) | 118.7 lm/ft (389.3 lm/m) | | | | |
| | | | 2700K | 123 | 156.8 lm/ft (514.3 lm/m) | 129.2 lm/ft (423.8 lm/m) | | | | |
| | | | 3000K | 123 | 156.8 lm/ft (514.3 lm/m) | 129.2 lm/ft (423.8 lm/m) | | | | |
| | | | 3500K | 129 | 164.5 lm/ft (539.6 lm/m) | 135.5 lm/ft (444.4 lm/m) | | | | |
| | | | 4000K | 134 | 170.9 lm/ft (560.6 lm/m) | 140.7 lm/ft (461.5 lm/m) | | | | |
| | | | 6000K | 131 | 167 lm/ft (547.8 lm/m) | 137.6 lm/ft (451.3 lm/m) | | | | |
| 2.2 Static White Series 2 | 1.97 in. (50 mm) | 48 LEDs/ft (160 LEDs/m) | 1800K | 83 | 155.2 lm/ft (509.1 lm/m) | 127.8 lm/ft (419.2 lm/m) | IP20: 42 ft (12.8 m) IP65/IP68: 32.8 ft (10 m) | ✓ | ✓ | |
| | | | 2000K | 96 | 179.5 lm/ft (588.8 lm/m) | 147.8 lm/ft (484.8 lm/m) | | | | |
| | | | 2200K | 106 | 198.2 lm/ft (650.1 lm/m) | 163.2 lm/ft (535.3 lm/m) | | | | |
| | | | 2400K | 111 | 207.6 lm/ft (680.9 lm/m) | 170.9 lm/ft (560.6 lm/m) | | | | |
| | | | 2700K | 120 | 224.4 lm/ft (736 lm/m) | 184.8 lm/ft (606.1 lm/m) | | | | |
| | | | 3000K | 122 | 228.1 lm/ft (748.2 lm/m) | 187.9 lm/ft (616.3 lm/m) | | | | |
| | | | 3500K | 127 | 237.5 lm/ft (779 lm/m) | 195.6 lm/ft (641.6 lm/m) | | | | |
| | | | 4000K | 133 | 248.7 lm/ft (779 lm/m) | 204.8 lm/ft (671.7 lm/m) | | | | |
| | | | 6000K | 128 | 239.4 lm/ft (785.2 lm/m) | 197.1 lm/ft (646.5 lm/m) | | | | |
| 3.0 Static White Series 2 | 1.97 in. (50 mm) | 48 LEDs/ft (160 LEDs/m) | 2400K | 109.8 | 280.1 lm/ft (918.6 lm/m) | 230.6 lm/ft (756.5 lm/m) | IP20: 36 ft (11 m) IP65/IP68: 32.8 ft (10 m) | ✓ | ✓ | |
| | | | 2700K | 122.9 | 313.5 lm/ft (1028.1 lm/m) | 258.1 lm/ft (846.7 lm/m) | | | | |
| | | | 3000K | 130 | 331.4 lm/ft (1087.1 lm/m) | 273 lm/ft (895.3 lm/m) | | | | |
| | | | 3500K | 133 | 339.2 lm/ft (1112.4 lm/m) | 279.3 lm/ft (916.1 lm/m) | | | | |
| | | | 4000K | 133 | 339.2 lm/ft (1112.4 lm/m) | 279.3 lm/ft (916.1 lm/m) | | | | |
| 4.4 Static White Series 2 | 1.97 in. (50 mm) | 48 LEDs/ft (160 LEDs/m) | 2400K | 109 | 407.7 lm/ft (1337.1 lm/m) | 335.7 lm/ft (1101.2 lm/m) | 28 ft 4 in. (8.64 m) | ✓ | ✓ | |
| | | | 2700K | 122 | 456.3 lm/ft (1496.6 lm/m) | 375.8 lm/ft (1232.5 lm/m) | | | | |
| | | | 3000K | 129 | 482.5 lm/ft (1582.5 lm/m) | 397.3 lm/ft (1303.2 lm/m) | | | | |
| | | | 3500K | 132 | 493.7 lm/ft (1619.3 lm/m) | 406.6 lm/ft (1333.5 lm/m) | | | | |
| | | | 4000K | 132 | 493.7 lm/ft (1619.3 lm/m) | 406.6 lm/ft (1333.5 lm/m) | | | | |
| 5.0 Static White Series 2 | 1.4 in. (35.7 mm) | 68 LEDs/ft (224 LEDs/m) | 2400K | 109.8 | 466.8 lm/ft (1531 lm/m) | 384.4 lm/ft (1260.8 lm/m) | IP20: 33 ft 4 in. (10.1 m) IP65/IP68: 32.8 ft (10 m) | ✓ | ✓ | |
| | | | 2700K | 122.9 | 522.4 lm/ft (1713.6 lm/m) | 430.2 lm/ft (1411.2 lm/m) | | | | |
| | | | 3000K | 130 | 552.4 lm/ft (1811.9 lm/m) | 454.9 lm/ft (1492.1 lm/m) | | | | |
| | | | 3500K | 133 | 565.3 lm/ft (1854 lm/m) | 465.5 lm/ft (1526.8 lm/m) | | | | |
| | | | 4000K | 133 | 565.3 lm/ft (1854 lm/m) | 465.5 lm/ft (1526.8 lm/m) | | | | |
| 6.0 Static White Series 2 | 1.4 in. (35.7 mm) | 68 LEDs/ft (224 LEDs/m) | 2400K | 109 | 555.9 lm/ft (1823.4 lm/m) | 457.8 lm/ft (1501.6 lm/m) | 28 ft (8.5 m) | ✓ | ✓ | |
| | | | 2700K | 122 | 622.2 lm/ft (2040.8 lm/m) | 512.4 lm/ft (1680.7 lm/m) | | | | |
| | | | 3000K | 129 | 657.9 lm/ft (2157.9 lm/m) | 541.8 lm/ft (1777.1 lm/m) | | | | |
| | | | 3500K | 132 | 673.2 lm/ft (2208.1 lm/m) | 554.4 lm/ft (1818.4 lm/m) | | | | |
| | | | 4000K | 132 | 673.2 lm/ft (2208.1 lm/m) | 554.4 lm/ft (1818.4 lm/m) | | | | |
| 6000K | 126 | 642.6 lm/ft (2107.7 lm/m) | 529.2 lm/ft (1735.8 lm/m) | | | | | | | |

RIBBONLYTE SPECIFICATIONS & COMPATIBILITY

| Available Wattages | Cuttable Length | LED Pitch | Color Temp. | lm/W without Lens | Delivered Lumens with Frosted Lens | Delivered Lumens with Milky Lens | Max Length | Compatible with Channel | | |
|----------------------------|---------------------|--------------------------|---------------|-------------------|------------------------------------|----------------------------------|---|-------------------------|------|------|
| | | | | | | | | IP20 | IP65 | IP68 |
| 6.0 Static White Series 2 | 1.4 in. (35.7 mm) | 68 LEDs/ft (224 LEDs/m) | 2400K | 109 | 555.9 lm/ft (1823.4 lm/m) | 457.8 lm/ft (1501.6 lm/m) | 28 ft (8.5 m) | ✓ | ✓ | |
| | | | 2700K | 122 | 622.2 lm/ft (2040.8 lm/m) | 512.4 lm/ft (1680.7 lm/m) | | | | |
| | | | 3000K | 129 | 657.9 lm/ft (2157.9 lm/m) | 541.8 lm/ft (1777.1 lm/m) | | | | |
| | | | 3500K | 132 | 673.2 lm/ft (2208.1 lm/m) | 554.4 lm/ft (1818.4 lm/m) | | | | |
| | | | 4000K | 132 | 673.2 lm/ft (2208.1 lm/m) | 554.4 lm/ft (1818.4 lm/m) | | | | |
| | | | 6000K | 126 | 642.6 lm/ft (2107.7 lm/m) | 529.2 lm/ft (1735.8 lm/m) | | | | |
| 0.75 Static Color Series 2 | 1.97 in. (50 mm) | 48 LEDs/ft (160 LEDs/m) | Red | 41 | 26 lm/ft (86 lm/m) | 22 lm/ft (70.6 lm/m) | IP20: 49 ft (15 m) IP65/IP68: 32.8 ft (10 m) | ✓ | ✓ | |
| | | | Green | 175 | 112 lm/ft (366 lm/m) | 92 lm/ft (301.4 lm/m) | | | | |
| | | | Blue | 19 | 12 lm/ft (40 lm/m) | 10 lm/ft (32.7 lm/m) | | | | |
| | | | Amber | 34 | 22 lm/ft (71 lm/m) | 18 lm/ft (58.6 lm/m) | | | | |
| 1.5 Static Color Series 2 | 1.97 in. (50 mm) | 48 LEDs/ft (160 LEDs/m) | Red | 42 | 54 lm/ft (176 lm/m) | 44 lm/ft (144.7 lm/m) | IP20: 49 ft (15 m) IP65/IP68: 32.8 ft (10 m) | ✓ | ✓ | |
| | | | Green | 160 | 204 lm/ft (669 lm/m) | 168 lm/ft (511.1 lm/m) | | | | |
| | | | Blue | 18 | 23 lm/ft (75 lm/m) | 19 lm/ft (62 lm/m) | | | | |
| | | | Amber | 34 | 43 lm/ft (142 lm/m) | 36 lm/ft (117.1 lm/m) | | | | |
| 2.2 Static Color Series 2 | 1.97 in. (50 mm) | 48 LEDs/ft (160 LEDs/m) | Red | 42 | 79 lm/ft (258 lm/m) | 65 lm/ft (212.2 lm/m) | IP20: 42 ft (12.8 m) IP65/IP68: 32.8 ft (10 m) | ✓ | ✓ | |
| | | | Green | 145 | 271 lm/ft (889 lm/m) | 223 lm/ft (732.4 lm/m) | | | | |
| | | | Blue | 18 | 34 lm/ft (110 lm/m) | 28 lm/ft (90.9 lm/m) | | | | |
| | | | Amber | 33 | 62 lm/ft (202 lm/m) | 51 lm/ft (166.7 lm/m) | | | | |
| 3.0 Static Color Series 2 | 1.97 in. (50 mm) | 48 LEDs/ft (160 LEDs/m) | Red | 40.0 | 102.0 lm/ft (334.6 lm/m) | 84.0 lm/ft (275.52 lm/m) | 32.8 ft (10 m) | ✓ | ✓ | |
| | | | Green | 127.0 | 323.9 lm/ft (1062.2 lm/m) | 266.7 lm/ft (874.776 lm/m) | | | | |
| | | | Blue | 25.0 | 63.8 lm/ft (209.1 lm/m) | 52.5 lm/ft (172.2 lm/m) | | | | |
| | | | Amber | 29.0 | 74.0 lm/ft (242.6 lm/m) | 60.9 lm/ft (199.752 lm/m) | | | | |
| 4.4 Static Color Series 2 | 1.97 in. (50 mm) | 48 LEDs/ft (160 LEDs/m) | Red | 38.0 | 142.1 lm/ft (466.2 lm/m) | 117.0 lm/ft (383.8912 lm/m) | 29 ft (8.8 m) | ✓ | ✓ | |
| | | | Green | 117.0 | 437.6 lm/ft (1435.3 lm/m) | 360.4 lm/ft (1181.981 lm/m) | | | | |
| | | | Blue | 24.0 | 89.8 lm/ft (294.4 lm/m) | 73.9 lm/ft (242.4576 lm/m) | | | | |
| | | | Amber | 25.0 | 93.5 lm/ft (306.7 lm/m) | 77.0 lm/ft (252.56 lm/m) | | | | |
| 5.0 Static Color Series 2 | 1.4 in. (35.7 mm) | 68 LEDs/ft (224 LEDs/m) | Red | 37.0 | 157.3 lm/ft (515.8 lm/m) | 129.5 lm/ft (424.76 lm/m) | 30 ft (9.14 m) | ✓ | ✓ | |
| | | | Green | 116.0 | 493.0 lm/ft (1617.0 lm/m) | 406.0 lm/ft (1331.68 lm/m) | | | | |
| | | | Blue | 24.0 | 102.0 lm/ft (334.6 lm/m) | 84.0 lm/ft (275.52 lm/m) | | | | |
| | | | Amber | 26.0 | 110.5 lm/ft (362.4 lm/m) | 91.0 lm/ft (298.48 lm/m) | | | | |
| 6.0 Static Color Series 2 | 1.4 in. (35.7 mm) | 68 LEDs/ft (224 LEDs/m) | Red | 37.0 | 188.7 lm/ft (618.9 lm/m) | 155.4 lm/ft (509.712 lm/m) | 28 ft (8.5 m) | ✓ | ✓ | |
| | | | Green | 113.0 | 576.3 lm/ft (1890.3 lm/m) | 474.6 lm/ft (1556.688 lm/m) | | | | |
| | | | Blue | 23.0 | 117.3 lm/ft (384.8 lm/m) | 96.6 lm/ft (316.9 lm/m) | | | | |
| | | | Amber | 24.0 | 122.4 lm/ft (401.6 lm/m) | 100.8 lm/ft (330.7 lm/m) | | | | |
| 2.4 Static White Linea | 1.97 in. (50 mm) | 146 LEDs/ft (480 LEDs/m) | 2700K | 67 | 136.9 lm/ft (448.8 lm/m) | 112.7 lm/ft (369.6 lm/m) | 21.3 ft (6.5 m) | ✓ | N/A | N/A |
| | | | 3000K | 71 | 144.5 lm/ft (475.2 lm/m) | 119 lm/ft (391.3 lm/m) | | | | |
| | | | 3500K | 83 | 169.2 lm/ft (555.9 lm/m) | 139.3 lm/ft (457.8 lm/m) | | | | |
| | | | 4000K | 83 | 169.2 lm/ft (555.9 lm/m) | 139.3 lm/ft (457.8 lm/m) | | | | |
| 3.0 Static White Linea | 1.97 in. (50 mm) | 146 LEDs/ft (480 LEDs/m) | 2700K | 66 | 168.3 lm/ft (552.5 lm/m) | 138.6 lm/ft (455 lm/m) | 21.3 ft (6.5 m) | ✓ | N/A | N/A |
| | | | 3000K | 73 | 186.2 lm/ft (611.2 lm/m) | 153.3 lm/ft (503.3 lm/m) | | | | |
| | | | 3500K | 78 | 198.9 lm/ft (652.8 lm/m) | 163.8 lm/ft (537.6 lm/m) | | | | |
| | | | 4000K | 83 | 211.7 lm/ft (694.5 lm/m) | 174.3 lm/ft (571.9 lm/m) | | | | |
| 4.3 Static White Linea | 1.97 in. (50 mm) | 146 LEDs/ft (480 LEDs/m) | 2700K | 75 | 274.6 lm/ft (899.3 lm/m) | 226.1 lm/ft (740.6 lm/m) | 24.6 ft (7.5 m) | ✓ | N/A | N/A |
| | | | 3000K | 78 | 284.8 lm/ft (935 lm/m) | 234.5 lm/ft (770 lm/m) | | | | |
| | | | 3500K | 86 | 314.5 lm/ft (1031.9 lm/m) | 259 lm/ft (849.8 lm/m) | | | | |
| | | | 4000K | 86 | 314.5 lm/ft (1031.9 lm/m) | 259 lm/ft (849.8 lm/m) | | | | |
| 6.1 Variable White Linea | 1.09 in. (27.78 mm) | 175 LEDs/ft (576 LEDs/m) | 2700K + 6500K | 95 | 493 lm/ft (1617.6 lm/m) | 406 lm/ft (1332.1 lm/m) | 16.4 ft (5 m) | ✓ | N/A | N/A |

RIBBONLYTE SPECIFICATIONS & COMPATIBILITY

| Available Wattages | Cuttable Length | LED Pitch | Color Temp. | lm/W without Lens | Delivered Lumens with Frosted Lens | Delivered Lumens with Milky Lens | Max Length | Compatible with Channel | | |
|-----------------------------|--------------------|-------------------------|--------------------------------------|---------------------------------|--|--|---|-------------------------|------|------|
| | | | | | | | | IP20 | IP65 | IP68 |
| 1.0 Variable White Series 2 | 1.97 in. (50 mm) | 42 LEDs/ft (140 LEDs/m) | 2000K + 6500K | 85 | 72.3 lm/ft (237 lm/m) | 60 lm/ft (200 lm/m) | 32.8 ft (10 m) | ✓ | ✓ | |
| 3.0 Variable White Series 2 | 1.97 in. (50 mm) | 42 LEDs/ft (140 LEDs/m) | 2000K + 6500K | 80 | 205.0 lm/ft (670 lm/m) | 168.0 lm/ft (551.2 lm/m) | 32.8 ft (10 m) | ✓ | ✓ | |
| 6.0 Variable White Series 2 | 1.97 in. (50 mm) | 42 LEDs/ft (140 LEDs/m) | 2000K + 6500K | 75 | 382.5 lm/ft (1255 lm/m) | 315.0 lm/ft (1033.5 lm/m) | 19 ft 8 in. (6 m) | ✓ | ✓ | |
| 4.4 RGBW Series 2 | 1.97 in. (50 mm) | 36 LEDs/ft (120 LEDs/m) | RGBW | 45 | 168.3 lm/ft (552.2 lm/m) All LEDs at 100% | 148.5 lm/ft (487.2 lm/m) All LEDs at 100% | 19 ft 8 in. (6 m) | ✓ | N/A | N/A |
| 5.5 RGBW Series 2 | 1.97 in. (50 mm) | 36 LEDs/ft (120 LEDs/m) | RGBW | 59 | 275.8 lm/ft (904.9 lm/m) All LEDs at 100% | 243.3 lm/ft (798.5 lm/m) All LEDs at 100% | 16 ft 4 in. (5 m) IP65: 16 ft 4 in. (5 m) IP68: 19 ft 7.9 in. (6 m) | N/A | ✓ | |
| 8.8 RGBW Series 2 | 1.97 in. (50 mm) | 36 LEDs/ft (120 LEDs/m) | RGBW | 61 | 456.3 lm/ft (1497.1 lm/m) All LEDs at 100% | 402.6 lm/ft (1320.9 lm/m) All LEDs at 100% | 16 ft 4 in. (5 m) | ✓ | N/A | N/A |
| RGBW Addressable | 3.94 in. (100 mm) | 18 LEDs/ft (60 LEDs/m) | Red Green Blue White All | 33.5 82 15.5 103 40 | 28.5 lm/ft (93.5 lm/m) 69.7 lm/ft (228.7 lm/m) 13.2 lm/ft (43.2 lm/m) 87.6 lm/ft (287.3 lm/m) 205.8 lm/ft (675.2 lm/m) | 23.5 lm/ft (77 lm/m) 57.4 lm/ft (188.3 lm/m) 10.8 lm/ft (35.6 lm/m) 72.1 lm/ft (236.6 lm/m) 169.5 lm/ft (556.1 lm/m) | 16 ft 5.64 in. (5.02 m) | N/A | N/A | ✓ |
| 4.4 5-in-1 RGBWW | 2.46 in. (62.5 mm) | 29 LED/ft (96 LED/m) | RGBWW | 59 | 220.7 lm/ft (724.0 lm/m) All LEDs at 100% | 194.7 lm/ft (638.8 lm/m) All LEDs at 100% | 16 ft 4 in (5 m) | ✓ | N/A | N/A |
| 8.8 5-in-1 RGBWW | 2.46 in. (62.5 mm) | 29 LED/ft (96 LED/m) | RGBWW | 50 | 374.0 lm/ft (1227.1 lm/m) All LEDs at 100% | 330.0 lm/ft (1082.7 lm/m) All LEDs at 100% | 11 ft 6 in (3.5 m) | ✓ | N/A | N/A |
| 5.2 Warm Dim | 3.94 in. (100 mm) | 36 LEDs/ft (120 LEDs/m) | WARM DIM | 55 | 244.8 lm/ft (803.25 lm/m) | 201.6 lm/ft (661.5 lm/m) | 16 ft 4 in. (5 m) | ✓ | ✓ | |

DIODE VISIBILITY CHART (Data below applies to installations with Milky lens only)

| | | | | | | | | | |
|--|--------------|--------------|---|-------------------|-------------------|------------------|------------------|--------------|----------------|
|  <p>No Visible Diode = N Note: Linea RibbonLyte has no visible diode</p> | | |  <p>With Visible Diode = Y</p> | | | | | | |
| Static White & Static Color RibbonLyte | | | Color Changing RibbonLyte | | | | | | |
| 0.75/1.5/2.2 | 3.0/4.4 | 5.0/6.0 | 4.4 RGBW Series 2 | 5.5 RGBW Series 2 | 8.8 RGBW Series 2 | 4.4 5-in-1 RGBWW | 8.8 5-in-1 RGBWW | Warm Dim | Variable White |
| IP20 IP65 | IP20 IP65 | IP20 IP65 | IP20 | IP65 | IP20 | IP20 | IP20 | IP20 IP65 | IP20 IP65 |
| N | N | N | N | N | N | N | N | N | N |

AVAILABLE DRIVERS / CONTROLLERS AND DIMMING OPTIONS / WIRE GAUGE CHART

NON-DIMMING ELECTRONIC DRIVERS

ELV & MLV DRIVERS



30W, 60W, 96W
Non-Dimming Electronic
Class 2 Drivers

Part No.:
• DRVW2430 (30 Watt)
• DRVW2460 (60 Watt)
• DRVW2496 (96 Watt)
Output Voltage: 24 V
Voltage Range: 120-277 VAC
IP Rating: Dry or Damp
UL Listed



240W, 320W
Non-Dimming
Electronic Drivers

Part No.:
• DRVW24240 (240 Watt)
• DRVW24320 (320 Watt)
Output Voltage: 24 V
Voltage Range: 90-305 VAC
IP Rating: Dry or Damp
UL Recognized



60W, 96W, 150W, 300W, 600W
ELV/MLV Dimmable Drivers

Part No.:
• DRVW2460ELVMLV (60 Watt)
• DRVW2496ELVMLV (96 Watt)
• DRVW24150ELVMLV (150 Watt)
• DRVW24300ELVMLV (300 Watt)
Line Voltage Dimmable Drivers
Output Voltage: 24 V
Voltage Range: 100-277 VAC
IP Rating: IP67
UL, CE, and CSA Listed

0-10V DRIVERS



0-10V Dimmable Waterproof Drivers

96W Part No.: DRVW249610P
288W Part No.: DRVW2428810P
Output Voltage: 24 V (+/- 0.5V)
Voltage Range: 100-277 VAC
Environmental Rating: UL Wet Location
UL Listed



0-10V Dimmable 90W VW/WD Driver

Part No.: DRVRFWDVW2490120

DMX CONTROLLER AND PART NUMBER - FOR COLOR CHANGING VERSIONS



GLASS TOUCH WALL CONTROLLERS
Part Number: AWCRGBWBK
AWCVWBK



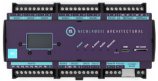
1 ZONE WALL CONTROLLER
Part Number: DMXCTRLG



5 ZONE WALL CONTROLLER
Part Number: DMXCTRL



10 ZONE WALL CONTROLLER
Part Number: DMXCTRLD



2 UNIVERSE DMX CONTROLLER
Part Number: DMXCTRLDR2U



4 CHANNEL WATERPROOF DMX INTERFACE
Part Number: DMXINFWLCD4



5 CHANNEL DMX INTERFACE
Part Number: DMXINFOLED5



DMX OPTO SPLITTER
Part Number: DMXOS8

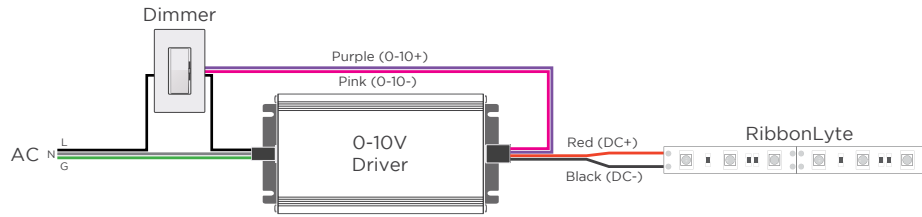
6 UNIVERSE DMX CONTROLLER
Part Number: DMXCTRLDR6U

DRIVER AND RIBBONLYTE AT FULL LOAD

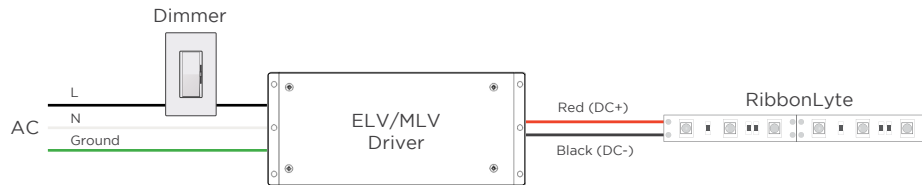
| Wattages | 30 | | 60 | | 96 | | 150 | | 200 | | 240 | | 300 | | 320 | | |
|-------------------------------|------------|--------|--------|--------|--------|-------|--------|-------|--------|-------|--------|-------|--------|-------|--------|-------|--------|
| | Wire Gauge | Feet | Meters | Feet | Meters | Feet | Meters | Feet | Meters | Feet | Meters | Feet | Meters | Feet | Meters | Feet | Meters |
| 24 AWG / 0.25 mm ² | 14 | 4.27 | 9 | 2.74 | 5.5 | 1.68 | 3.75 | 1.14 | 2.75 | 0.84 | 2.25 | 0.69 | 1.75 | 0.53 | 1.75 | 0.53 | 0.53 |
| 22 AWG / 0.34 mm ² | 22 | 6.71 | 14 | 4.27 | 9 | 2.74 | 5.75 | 1.75 | 4.5 | 1.37 | 3.5 | 1.07 | 2.75 | 0.84 | 2.75 | 0.84 | 0.84 |
| 20 AWG / 0.5 mm ² | 35 | 10.67 | 23 | 7.01 | 14 | 4.27 | 9 | 2.74 | 7 | 2.13 | 5.75 | 1.75 | 4.5 | 1.37 | 4.25 | 1.30 | 1.30 |
| 18 AWG / 0.75 mm ² | 56 | 17.07 | 37 | 11.28 | 23 | 7.01 | 15 | 4.57 | 11 | 3.35 | 9 | 2.74 | 7.5 | 2.29 | 7 | 2.13 | 2.13 |
| 16 AWG / 1.5 mm ² | 90 | 27.44 | 60 | 18.29 | 37 | 11.28 | 24 | 7.32 | 18 | 5.49 | 15 | 4.57 | 12 | 3.66 | 11 | 3.35 | 3.35 |
| 14 AWG / 2.5 mm ² | 142 | 43.29 | 95 | 28.96 | 59 | 17.99 | 38 | 11.59 | 28 | 8.54 | 23 | 7.01 | 19 | 5.79 | 17 | 5.18 | 5.18 |
| 12 AWG / 4 mm ² | 226 | 68.90 | 151 | 46.04 | 94 | 28.66 | 60 | 18.29 | 45 | 13.72 | 37 | 11.28 | 30 | 9.15 | 28 | 8.54 | 8.54 |
| 10 AWG / 6 mm ² | 360 | 109.76 | 240 | 73.17 | 150 | 45.73 | 96 | 29.27 | 72 | 21.95 | 60 | 18.29 | 48 | 14.63 | 45 | 13.72 | 13.72 |
| 8 AWG / 10 mm ² | 574 | 175.00 | 381 | 116.16 | 239 | 72.87 | 153 | 46.65 | 115 | 35.06 | 95 | 28.96 | 76 | 23.17 | 71 | 21.65 | 21.65 |

WIRING DIAGRAMS

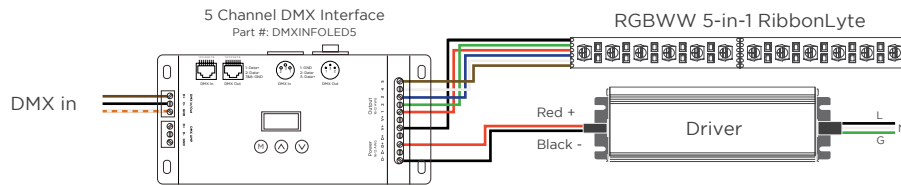
0-10V



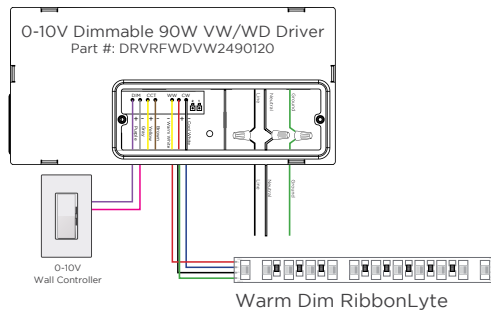
MLV / ELV



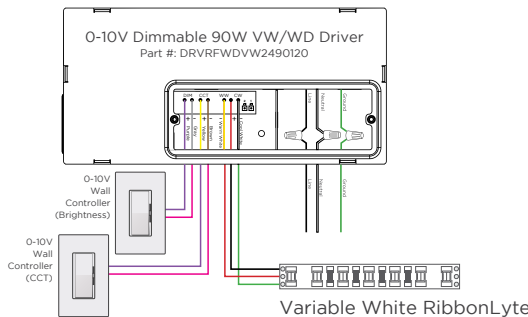
DMX



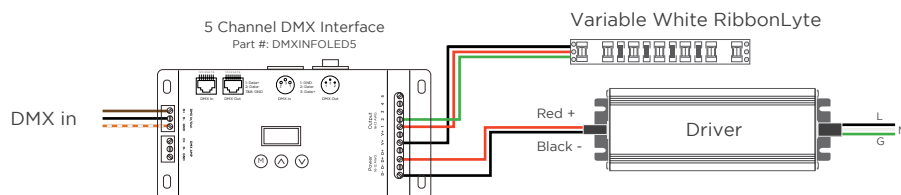
WARM DIM



2-CHANNEL VARIABLE WHITE DIMMING



DMX WIRING DIAGRAM - COMPATIBLE WITH ALL MODELS OF VARIABLE WHITE RIBBONLYTE



WIRE COLORS PER RIBBONLYTE COLOR

STATIC WHITE + STATIC COLOR
Red Wire (+) Positive
Black Wire (-) Negative

RGBW + RGBA
Black Wire (+) Positive
Green Wire (-) goes to Green Channel
Red Wire (-) goes to Red Channel
Blue Wire (-) goes to Blue Channel
White Wire (-) goes to White Channel

RGBWW
Black (+) Positive
Green Wire (-) goes to Green Channel
Red Wire (-) goes to Red Channel
Blue Wire (-) goes to Blue Channel
White Wire (-) goes to White Channel 1
Brown Wire (-) goes to White Channel 2

WARM DIM
Red Wire (-) goes to Warm White Channel
Blue Wire (-) goes to Cool White Channel
Black Wire (+) goes to Warm White Channel
Green Wire (+) goes to Cool White Channel


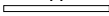



VARIABLE WHITE
Black Wire (+) Positive
Red Wire (-) goes to Warm White Channel
Green Wire (-) goes to Cool White Channel

WIRING DIAGRAMS WITH RGBW ADDRESSABLE RIBBONLYTE

One DMX Universe consists of 128 addresses and 512 channels (42 ft, 8 in. of RibbonLyte).

Any single run of RibbonLyte that is less than 16 ft, 4 in. can be wired directly to the controller.

For additional runs, Opto Splitter must be used. Each individual run will need its own Opto Splitter output.

| WIRE INDEX | |
|------------|---|
| + |  |
| PI |  |
| A+ |  |
| B- |  |
| GND |  |

