

**AR9 CHANNEL FIXTURE**

Our AR9 Channel Fixture is a recessed mounted linear fixture designed to work with the new Micro RibbonLyte 1.0, 3.0 & 4.5. AR9's ultra slim width of 0.31 in. (8 mm) can create clean and modern linear designs for retail stores, commercial buildings and residential interiors.

- Available for field assembly or factory assembly
- Beam Angle 110°
- Wattage: 1.0 W/ft (3.3 W/m), 3.0 W/ft (9.84 W/m) or 4.5 W/ft (14.76 W/m)
- Delivered Lumen Range from 1 lm/ft (3 lm/m) to 500 lm/ft (1638 lm/m)
- Assembled in USA



**HOUSING FINISHES**

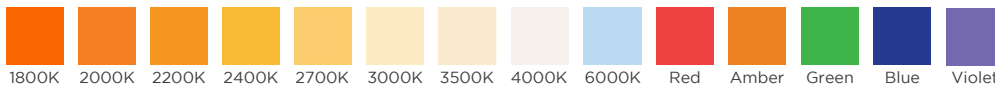


**AVAILABLE LENS FINISHES**



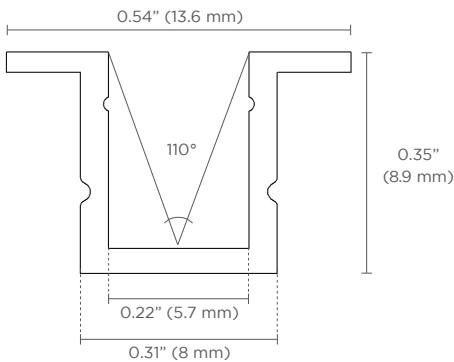
Milky Lens  
63% Light Transmission

**AVAILABLE COLORS & COLOR TEMPERATURES**



**DIMENSIONS**

**AR9 Channel**



**Overall Width:** 0.54 in. (13.6 mm)  
**Recessed Width:** 0.31 in. (8 mm)  
**Height:** 0.35 in. (8.9 mm)  
**Internal Width:** 0.22 in (5.7 mm)

**Note:** This channel does not require mounting clips. Please see our installation guide for instructions.

Acolyte does not warrant or represent that the information is free from errors or omission. The information may change without notice and Acolyte is not in any way liable for the accuracy of any information printed and stored or in any way interpreted or used.

**SPECIFICATIONS**

|                                |  |
|--------------------------------|--|
| <b>Beam Angle</b>              | 110°   |
| <b>Lens Type</b>               | Milky Lens   |
| <b>Length</b>                  | Channel is sold by the foot and cut to your exact desired length   |
| <b>Operating Voltage</b>       | 24V  |
| <b>Dimming</b>                 | MLV / 0-10 Volt / Lutron Hi-Lume 1% dimming LED drivers / Lutron VIVE code compliance available / ELV / DALI / DMX   |
| <b>Operating Temperature</b>   | -40° F to 158° F (-40° C to 70° C)   |
| <b>Colors</b>                  | 1800K, 2000K, 2200K, 2400K, 2700K, 3000K, 3500K, 4000K, 6000K, Red, Amber, Green, Blue, Violet<br>(1800K, 2000K, 2200K only available in IP20)   |
| <b>CRI</b>                     | 90+ CRI (Static white only)  |
| <b>Lamp Life</b>               | L70 at 50,000 Hours  |
| <b>MacAdam Ellipses (SDCM)</b> | 2-Step Binning (For Static White LEDs only)  |
| <b>Certifications</b>          | ETL Listed: UL 2108 Issued: 2004/02/27 Ed: 1 Rev: 2014/02/24 Low Voltage Lighting Systems<br>CSA C22.2#9.0 Issued: 1996/06/01 Ed: 1 (R2011) General Requirements for Luminaires;<br>with Gen. Inst. 1: 1997, Gen Inst. 2: 1998. ROHS compliant UL 2108 - Low Voltage Lighting Systems<br>UL 8750 - Light Emitting Diode (LED) Equipment for Use in Lighting Products UL 1598 / CSA 250.0-08 - Luminaires |

Acolyte does not warrant or represent that the information is free from errors or omission. The information may change without notice and Acolyte is not in any way liable for the accuracy of any information printed and stored or in any way interpreted or used.

ORDERING GUIDE

**STEP 1** Complete Channel Part Number

| CHANNEL                           | LENS           | HOUSING COLOR                       |            |
|-----------------------------------|----------------|-------------------------------------|------------|
| <b>CHAR9</b>                      | <b>M</b>       |                                     |            |
| CHAR9 - AR9 Channel Fixture       | M - Milky Lens | SV - Silver (default)<br>BK - Black | WH - White |
| Consult factory for custom colors |                |                                     |            |

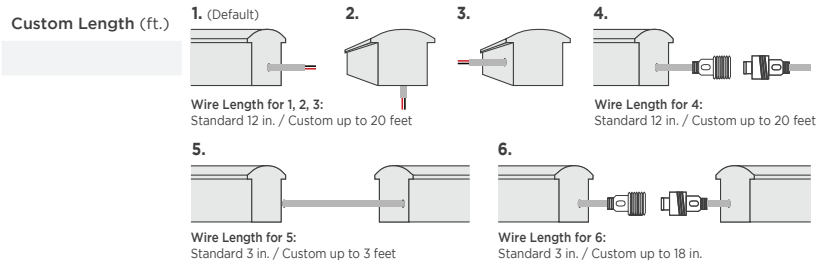
**STEP 2** Complete RibbonLyte Part Number

| CATEGORY        | CRI   | RIBBON TYPE & IP RATING  |  |
|-----------------|---|--|--|
| <b>RB</b>       |   |  |  |
| RB - RibbonLyte | 0 - Static Color, Color Changing<br>90 - 90+ CRI Static White | SWMC20 - Static White Micro IP20<br>SWMC65 - Static White Micro IP65 | SCMC20 - Static Color Micro IP20<br>SCMC65 - Static Color Micro IP65 |

| WATTAGE  | COLOR  |
|--|--|
| 1.0 - 1.0 W/ft (3.3 W/m - Static White, Static Color)  | 18 - 1800K      R - Red  |
| 3.0 - 3.0 W/ft (9.8 W/m - Static White, Static Color)  | 20 - 2000K      A - Amber  |
| 4.5 - 4.5 W/ft (14.8 W/m - Static White, Static Color) | 22 - 2200K      G - Green  |
|  | 24 - 2400K      B - Blue   |
|  | 27 - 2700K      V - Violet   |
|  | 30 - 3000K      Z - Undecided**  |
|  | 35 - 3500K      ** For quotes only. Must be chosen before final order. |
|  | 40 - 4000K   |
|  | 60 - 6000K   |

CONNECTION OPTIONS (See diagrams on the right)

- 1 - End Feed Bare Wire Connection
- 2 - Back Feed Bare Wire Connection
- 3 - Side Feed Bare Wire Connection
- 4 - End Feed with IP67 Male Coupler
- 5 - Soldered Daisy Chain
- 6 - Daisy Chain With IP67 Couplers



**STEP 3** Complete Assembly Option & Length

| ASSEMBLY OPTION       | LENGTH (Standard factory assembled length up to 78 in. / 2 m) |
|-----------------------|---|
| FI - Field Assembly   |   |
| FA - Factory Assembly |   |

**SPECIFICATIONS**

| Available Wattages                              | Cuttable Length  | LED Pitch               | Color Temperature | lm/W without Lens | Delivered Lumens with Milky Lens | Standard Cable Length | Compatible with Channel |      |
|---|------------------|-------------------------|-------------------|-------------------|----------------------------------|-----------------------|-------------------------|------|
|   |                  |                         |                   |                   |                                  |                       | IP20                    | IP65 |
| 1.0 Static White Micro & 1.0 Static Color Micro | 1.97 in. (50 mm) | 43 LEDs/ft (140 LEDs/m) | 2400K             | 79                | 49.8 lm/ft (163.3 lm/m)          | 12 in. (30.5 cm)      | ✓                       | ✓    |
|   |                  |                         | 2700K             | 90                | 56.7 m/ft (186 lm/m)             |                       |                         |      |
|   |                  |                         | 3000K             | 94                | 59.2 lm/ft (194 lm/m)            |                       |                         |      |
|   |                  |                         | 3500K             | 98                | 61.7 lm/ft (202.5 lm/m)          |                       |                         |      |
|   |                  |                         | 4000K             | 97                | 61.1 lm/ft (200.5 lm/m)          |                       |                         |      |
|   |                  |                         | 6000K             | 93                | 58.6 lm/ft (192.2 lm/m)          |                       |                         |      |
|   |                  |                         | Red               | 27                | 16.8 lm/ft (55.0 lm/m)           |                       |                         |      |
|   |                  |                         | Green             | 78                | 49.2 lm/ft (161.3 lm/m)          |                       |                         |      |
|   |                  |                         | Blue              | 17                | 10.6 lm/ft (34.9 lm/m)           |                       |                         |      |
|   |                  |                         | Amber             | 19                | 11.8 lm/ft (38.8 lm/m)           |                       |                         |      |
|   |                  |                         | Violet            | 1                 | 0.3 lm/ft (1.0 lm/m)             |                       |                         |      |
| 3.0 Static White Micro & 3.0 Static Color Micro | 1.97 in. (50 mm) | 43 LEDs/ft (140 LEDs/m) | 2400K             | 79                | 149.3 lm/ft (489.7 lm/m)         | 12 in. (30.5 cm)      | ✓                       | ✓    |
|   |                  |                         | 2700K             | 90                | 170.1 lm/ft (557.9 lm/m)         |                       |                         |      |
|   |                  |                         | 3000K             | 94                | 177.7 lm/ft (582.7 lm/m)         |                       |                         |      |
|   |                  |                         | 3500K             | 98                | 185.2 lm/ft (607.5 lm/m)         |                       |                         |      |
|   |                  |                         | 4000K             | 97                | 183.3 lm/ft (601.3 lm/m)         |                       |                         |      |
|   |                  |                         | 6000K             | 93                | 175.8 lm/ft (576.5 lm/m)         |                       |                         |      |
|   |                  |                         | Red               | 27                | 50.3 lm/ft (164.9 lm/m)          |                       |                         |      |
|   |                  |                         | Green             | 78                | 147.5 lm/ft (483.9 lm/m)         |                       |                         |      |
|   |                  |                         | Blue              | 17                | 31.9 lm/ft (104.6 lm/m)          |                       |                         |      |
|   |                  |                         | Amber             | 19                | 35.5 lm/ft (116.4 lm/m)          |                       |                         |      |
|   |                  |                         | Violet            | 1                 | 0.9 lm/ft (2.9529lm/m)           |                       |                         |      |
| 4.5 Static White Micro & 4.5 Static Color Micro | 1.97 in. (50 mm) | 43 LEDs/ft (140 LEDs/m) | 2400K             | 80                | 223.5 lm/ft (733.2 lm/m)         | 12 in. (30.5 cm)      | ✓                       | ✓    |
|   |                  |                         | 2700K             | 88                | 247.8 lm/ft (812.7 lm/m)         |                       |                         |      |
|   |                  |                         | 3000K             | 93                | 259.8 lm/ft (852.2 lm/m)         |                       |                         |      |
|   |                  |                         | 3500K             | 87                | 244.7 lm/ft (802.6 lm/m)         |                       |                         |      |
|   |                  |                         | 4000K             | 97                | 268.2 lm/ft (879.7 lm/m)         |                       |                         |      |
|   |                  |                         | 6000K             | 94                | 263.1 lm/ft (862.9 lm/m)         |                       |                         |      |
|   |                  |                         | Red               | 26                | 73.5 lm/ft ( 241.1 lm/m)         |                       |                         |      |
|   |                  |                         | Green             | 83                | 243.8 lm/ft ( 799.9 lm/m)        |                       |                         |      |
|   |                  |                         | Blue              | 17                | 52.8 lm/ft ( 173.2 lm/m)         |                       |                         |      |
|   |                  |                         | Amber             | 17                | 51.7 lm/ft ( 169.6 lm/m)         |                       |                         |      |
|   |                  |                         | Violet            | 1                 | 1.4 lm/ft ( 4.5 lm/m)            |                       |                         |      |

**DIODE VISIBILITY CHART** (Data below applies to installations with Milky lens only)

|   |                             |  |                               |
|---|-----------------------------|--|-------------------------------|
|  | <b>No Visible Diode = N</b> |  | <b>With Visible Diode = Y</b> |
| <b>Static White &amp; Static Color Micro RibbonLyte</b>                             |                             |  |                               |
| <b>1.0</b>  |                             | <b>3.0</b>   | <b>4.5</b>                    |
| IP20<br>IP65  |                             | IP20<br>IP65   | IP20<br>IP65                  |
| <b>N</b>  |                             | <b>N</b>   | <b>N</b>                      |

AVAILABLE DRIVERS

NON-DIMMING ELECTRONIC DRIVERS



**30W, 60W, 96W  
Non-Dimming Electronic  
Class 2 Drivers**

- Part No.:
- DRVW2430 (30 Watt)
  - DRVW2460 (60 Watt)
  - DRVW2496 (96 Watt)

Output Voltage: 24 V  
Voltage Range: 120-277 VAC  
IP Rating: Dry or Damp  
UL Listed



**240W, 320W  
Non-Dimming  
Electronic Drivers**

- Part No.:
- DRVW24240 (240 Watt)
  - DRVW24320 (320 Watt)

Output Voltage: 24 V  
Voltage Range: 90-305 VAC  
IP Rating: Dry or Damp  
UL Recognized



**40W  
Lutron Hi-Lume 1% Dimming  
Class 2 Drivers**

- Part No.:
- DRVLUT24403W (40 Watt, 3-wire)
  - DRVLUT24402W (40 Watt, 2-wire)

Output Voltage: 24 V  
Voltage Range: 120-277 VAC (3-wire model)  
or 120V (2-wire model)  
IP Rating: Dry or Damp  
Dimmable using 2-wire forward phase,  
3-wire+G or digital EcoSystem  
UL Listed



**96W  
Lutron Hi-Lume Premier 0.1% Dimming  
Class 2 Driver**

- Part No.:
- DRVLUT24963W (96 Watt, 3-wire)

Output Voltage: 24 V  
Voltage Range: 120-277 VAC  
IP Rating: Dry or Damp  
Dimmable using 3-wire+G or digital EcoSystem  
0.1% dimming SoftOn/FadeToBlack  
with EcoSystem  
UL Listed

MAGNETIC, ELV & MLV DRIVERS WITH COMPATIBLE DIMMERS



120 VAC

**60W, 96W, 200W, 300W  
Class 1 & 2 Magnetic Drivers**

- Part No.:
- DRVWDIM2460 (60 Watt)
  - DRVWDIM24100 (96 Watt)
  - DRVWDIM24200 (200 Watt)
  - DRVWDIM24300 (300 Watt)

Magnetic Driver  
Output Voltage: 24 V  
Voltage Range: 120 VAC  
IP Rating: Dry or Damp  
Forward Phase Dimming  
ETL Listed



277 VAC

**60W, 96W, 200W, 300W  
Class 1 & 2 Magnetic Drivers**

- Part No.:
- DRVWDIM2460277 (60 Watt)
  - DRVWDIM24100277 (96 Watt)
  - DRVWDIM24200277 (200 Watt)
  - DRVWDIM24300277 (300 Watt)

Magnetic Driver  
Output Voltage: 24 V  
Voltage Range: 277 VAC  
IP Rating: Dry or Damp  
Forward Phase Dimming  
ETL Listed



**60W, 96W, 150W, 200W  
ELV & MLV Drivers**

- Part No.:
- DRVW2460ELV (60 Watt)
  - DRVW2496ELV (96 Watt)
  - DRVW24150ELV (150 Watt)
  - DRVW24200ELV (200 Watt)

Line Voltage Dimmable Drivers  
Output Voltage: 24 V  
Voltage Range: 100-130 VAC  
IP Rating: Dry or Damp  
Dimmable  
ETL, UL and CSA Listed



**LUTRON Skylark Contour Dimmer**

Part No.: TRIDIMSKY  
Width: 2.94 in (75 mm)  
Length: 4.69 in (120 mm)  
Depth: 0.30 in (7.6 mm)

- Single pole and 3-way versions
- Compatible with GENLED Acolyte MLV drivers
- Slide adjusts brightness and On/Off control
- 30 mA max control current
- Available in white finish



**LUTRON NOVA-T Dimmer**

Part No.: TRIDIMNOVA  
Width: 2.75 in (70 mm)  
Length: 4.56 in (116 mm)  
Depth: 0.30 in (7.6 mm)

- Slide adjusts brightness and On/Off control
- 30 mA max control current
- Available in white finish



**LUTRON DIVA Dimmer**

Part No.: TRIDIMDIVA  
(With Locator Light) TRIDIMDIVAL  
Width: 2.94 in (75 mm)  
Length: 4.69 in (120 mm)  
Depth: 0.30 in (7.6 mm)

- Large paddle switch with a captive linear-slide dimmer
- 30 mA max control current
- Available in white finish
- Available with locator light which glows green when the switch is off

Note: For more options, please reference the Optional Dimmer List on Acolyte product website page.

AVAILABLE DRIVERS / CONTROLLERS AND DIMMING OPTIONS / WIRE GAUGE CHART

0-10V DRIVERS AND DIMMERS

DIMMING MODULE



0-10V Dimmable Waterproof Drivers

**96W** Part No.: DRVW249610P  
**288W** Part No.: DRVW2428810P  
 Output Voltage: 24 V (+/- 0.5V)  
 Voltage Range: 100-277 VAC  
 Environmental Rating: UL Wet Location  
 UL Listed



LUTRON DIVA Dimmer

Part No.: LVDIMDIVA  
 Width: 2.94 in (75 mm)  
 Length: 4.69 in (120 mm)  
 Depth: 0.30 in (7.6 mm)

- Compatible with 0-10 V Dimming Module
- Large paddle switch with a captive linear-slide dimmer
- 30 mA max control current
- Available in white finish



LUTRON NOVA-T Dimmer

Part No.: LVDIMNOVA  
 Width: 2.75 in (70 mm)  
 Length: 4.56 in (116 mm)  
 Depth: 0.30 in (7.6 mm)

- Compatible with 0-10 V Dimming Module
- Slide adjusts brightness and On/Off control
- 30 mA max control current
- Available in white finish



Variable White Dimming Module

Part No.: VWDIMMOD

- 1 dimming module required per 30 ft (9.1 m)
- This product is only compatible with Variable White RibbonLyte, not Variable White Amber or Variable White Red. Works with any 0-10V dimmers to provide CCT change with one dimmer and brightness change with the other.

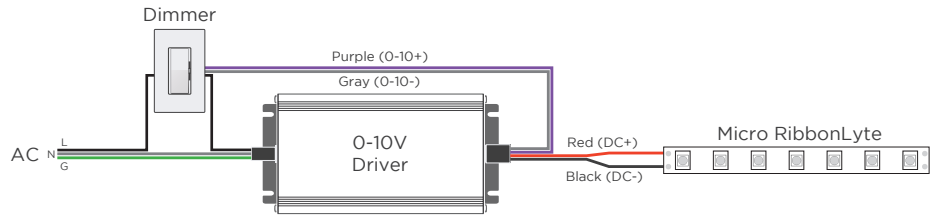
Note: Max length before additional power is introduced

DRIVER AND RIBBONLYTE AT FULL LOAD

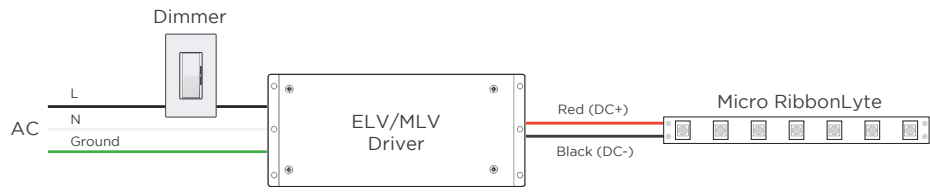
| Wattages | 30   |        | 60   |        | 96   |        | 150  |        | 200  |        | 240  |        | 300  |        | 320  |        |
|----------|------|--------|------|--------|------|--------|------|--------|------|--------|------|--------|------|--------|------|--------|
|          | Feet | Meters | Feet | Meters | Feet | Meters | Feet | Meters | Feet | Meters | Feet | Meters | Feet | Meters | Feet | Meters |
| 24 AWG   | 14   | 4.27   | 9    | 2.74   | 5.5  | 1.68   | 3.75 | 1.14   | 2.75 | 0.84   | 2.25 | 0.69   | 1.75 | 0.53   | 1.75 | 0.53   |
| 22 AWG   | 22   | 6.71   | 14   | 4.27   | 9    | 2.74   | 5.75 | 1.75   | 4.5  | 1.37   | 3.5  | 1.07   | 2.75 | 0.84   | 2.75 | 0.84   |
| 20 AWG   | 35   | 10.67  | 23   | 7.01   | 14   | 4.27   | 9    | 2.74   | 7    | 2.13   | 5.75 | 1.75   | 4.5  | 1.37   | 4.25 | 1.30   |
| 18 AWG   | 56   | 17.07  | 37   | 11.28  | 23   | 7.01   | 15   | 4.57   | 11   | 3.35   | 9    | 2.74   | 7.5  | 2.29   | 7    | 2.13   |
| 16 AWG   | 90   | 27.44  | 60   | 18.29  | 37   | 11.28  | 24   | 7.32   | 18   | 5.49   | 15   | 4.57   | 12   | 3.66   | 11   | 3.35   |
| 14 AWG   | 142  | 43.29  | 95   | 28.96  | 59   | 17.99  | 38   | 11.59  | 28   | 8.54   | 23   | 7.01   | 19   | 5.79   | 17   | 5.18   |
| 12 AWG   | 226  | 68.90  | 151  | 46.04  | 94   | 28.66  | 60   | 18.29  | 45   | 13.72  | 37   | 11.28  | 30   | 9.15   | 28   | 8.54   |
| 10 AWG   | 360  | 109.76 | 240  | 73.17  | 150  | 45.73  | 96   | 29.27  | 72   | 21.95  | 60   | 18.29  | 48   | 14.63  | 45   | 13.72  |
| 8 AWG    | 574  | 175.00 | 381  | 116.16 | 239  | 72.87  | 153  | 46.65  | 115  | 35.06  | 95   | 28.96  | 76   | 23.17  | 71   | 21.65  |

WIRING DIAGRAM

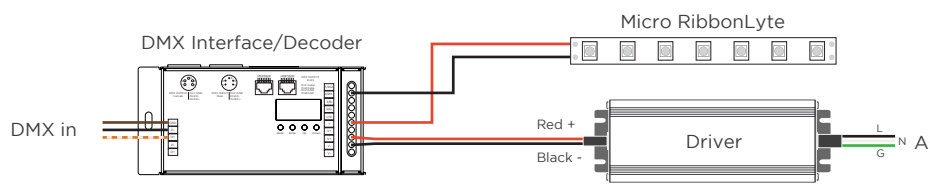
0-10V



MLV / ELV



DMX



WIRE COLORS PER RIBBONLYTE COLOR

STATIC WHITE + STATIC COLOR MICRO  
Red Wire (+) Positive  
Black Wire (-) Negative