

Date _____ Project _____

Notes _____

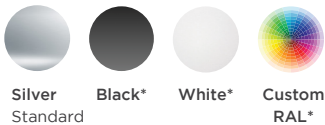
AS2 CHANNEL FIXTURE

Our AS2 Channel Fixture is a slim channel with a 110-degree narrow beam angle ideal for a controlled spread of light. This channel is ideal for compact cove applications, and can also be used in conjunction with our tilttable stands. The AS2 Channel Fixture includes a choice of clear, frosted or milky lens. Custom design a fixture with our AS2 Channel and RibbonLyte products.

- Available for field assembly or factory assembly
- Beam Angle 110°
- Wattage Range from 0.75 W/ft (2.46 W/m) to 8.8 W/ft (28.9 W/m)
- Static White delivered lumen range from 44.1 lm/ft (144.6 lm/m) up to 729 lm/ft (2392.5 lm/m)
- Assembled in USA



HOUSING FINISHES

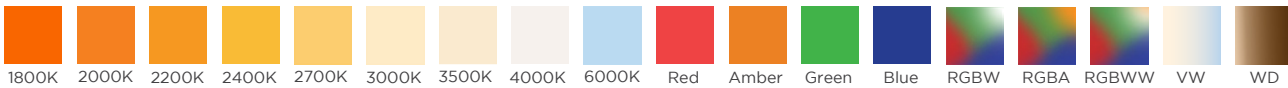


*Additional fee applies

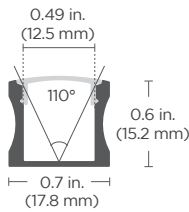
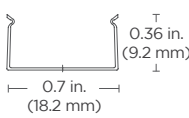
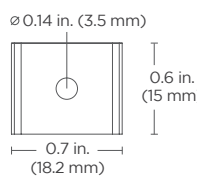
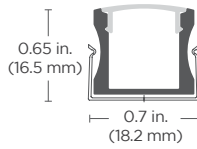
AVAILABLE LENS FINISHES



AVAILABLE COLORS & COLOR TEMPERATURES



DIMENSIONS

| AS2 Channel | Mounting Clip (Included Accessory) | | |
|--|--|---|---|
|  <p>Width: 0.7 in. (17.8 mm) Height: 0.6 in. (15.2 mm) Internal Width: 0.49 in. (12.5 mm)</p> | <p>Side View</p>  <p>Width: 0.6 in. (15 mm) Length: 0.7 in. (18.2 mm) Height: 0.36 in. (9.2 mm)</p> | <p>Top View</p>  <p>Width: 0.7 in. (18.2 mm) Height: 0.6 in. (15 mm)</p> | <p>Assembled View</p>  <p>Width: 0.7 in. (18.2 mm) Height: 0.65 in. (16.5 mm)</p> |
| <p>Note:</p> <ol style="list-style-type: none"> 1. Each section of channel includes 3 mounting clips. 2. Magnetic mounting option available (see page 2) 3. Exterior channel applications should be securely attached to the mounting surface with appropriate screws and/or liquid nails. Acolyte strongly recommends field assembly for exterior applications. Use mounting clips for interior applications only. | | | |

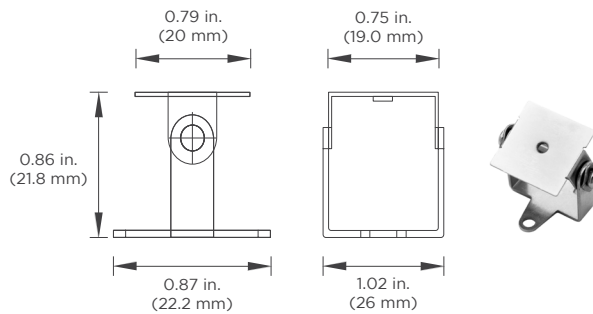
Acolyte does not warrant or represent that the information is free from errors or omission. The information may change without notice and Acolyte is not in any way liable for the accuracy of any information printed and stored or in any way interpreted or used.

SPECIFICATIONS

| | |
|--------------------------------|--|
| Beam Angle | 110° |
| Lens Type | Clear Lens, Frosted Lens, Milky Lens |
| Length | Channel is sold by the foot and cut to your exact desired length. Required amount of mounting clips included. |
| Operating Voltage | 24V |
| Dimming | MLV / 0-10 Volt / ELV / DALI / DMX |
| Operating Temperature | -40° F to 158° F (-40° C to 70° C) |
| Colors | 1800K, 2000K, 2200K, 2400K, 2700K, 3000K, 3500K, 4000K, 6000K, Red, Amber, Green, Blue, RGBA, RGBW, RGBWW, VW, Warm Dim (1800K, 2000K, 2200K only available in IP20) |
| CRI | 90+ CRI (Static white only) |
| Lamp Life | L70 at 50,000 Hours |
| MacAdam Ellipses (SDCM) | 2-Step Binning (For Static White LEDs only) |
| Certifications | UL Listed UL 2108 Issued: 2004/02/27 Ed: 1 Rev: 2014/02/24 Low Voltage Lighting Systems CSA C22.2#9.0 Issued: 1996/06/01 Ed: 1 (R2011) General Requirements for Luminaries; with Gen. Inst. 1: 1997, Gen Inst. 2: 1998. ROHS compliant |

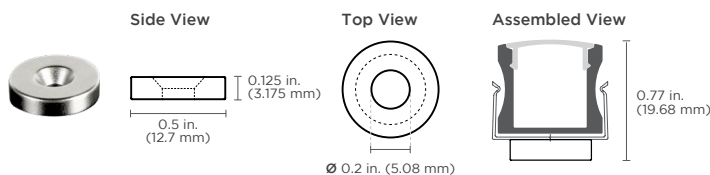
ACCESSORIES

Tilttable Stand (Part # TILTSTANDST)



Assembled Height with Channel: 1.51 in. (38.4 mm)

Magnetic Mount (Part #: CHMAGO.5)



- Features:**
- High-energy neodymium magnets come attached to mounting clips with countersink hex nuts
 - Create easy-mount magnetic channels with minimal surface gaps; no tools or drilling necessary
 - Magnets rated for 8 lbs. of pull force with static load
- Applications:**
- Industrial lighting retrofits for troffers and other metal fixtures
 - Metal retail shelf lighting
 - Temporary light fixture installations

ORDERING GUIDE

STEP 1 Complete Channel Part Number

| CHANNEL | LENS | HOUSING COLOR |
|---------------------|---|--|
| CHAS2 | | |
| CHAS2 - AS2 Channel | C - Clear Lens* M - Milky Lens F - Frosted Lens * Clear lens is the default option if not specified. | SV - Silver (default) WH - White BK - Black Consult factory for custom colors |

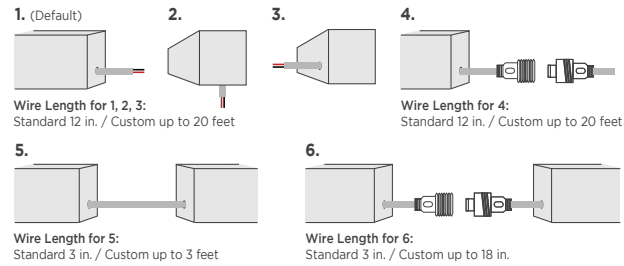
STEP 2 Complete RibbonLyte Part Number

| CATEGORY | CRI | RIBBON TYPE & IP RATING |
|-----------------|---|---|
| RB | | |
| RB - RibbonLyte | 0 - Static Color, Color Changing 90 - 90+ CRI Static White | SWS220 - Static White Series 2 IP20 LINEA20 - Linea RibbonLyte IP20 VWS220 - VW Series 2 IP20 SWS265 - Static White Series 2 IP65 RGBWS220 - RGBW Series 2 IP20 VWS265 - VW Series 2 IP65 SWS268 - Static White Series 2 IP68 RGBWS265 - RGBW Series 2 IP65 VWS268 - VW Series 2 IP68 SCS220 - Static Color Series 2 IP20 RGBWW20 - RGBWW 5-in-1 IP20 SCS265 - Static Color Series 2 IP65 WD20 - Warm Dim IP20 SCS268 - Static Color Series 2 IP68 WD65 - Warm Dim IP65 |

NOTE: To ensure waterproofing standards are met, IP65 and IP68 RibbonLyte can NOT be cut in the field.

| WATTAGE | COLOR |
|---|---|
| 0.75 - 0.75 W/ft (2.46 W/m - Static White, Static Color) | 18 - 1800K VW - Variable White |
| 1.0 - 1.0 W/ft (3.3 W/m - Variable White) | 20 - 2000K RGB27 - Red, Green, Blue + 2700K |
| 1.5 - 1.5 W/ft (4.9 W/m - Static White, Static Color) | 22 - 2200K RGB30 - Red, Green, Blue + 3000K |
| 2.2 - 2.2 W/ft (7.2 W/m - Static White, Static Color) | 24 - 2400K RGB40 - Red, Green, Blue + 4000K |
| 2.4 - 2.4 W/ft (8 W/m - Static White Linea) | 27 - 2700K RGB2465 - Red, Green, Blue + 2400K + 6500K |
| 3.0 - 3.0 W/ft (9.8 W/m - Static White, Static Color, Variable White) | 30 - 3000K RGBA - Red, Green, Blue + Amber |
| 4.3 - 4.3 W/ft (14 W/m - Static White Linea) | 35 - 3500K 2920 - Warm Dim 2900K - 2000K (IP20) |
| 4.4 - 4.4 W/ft (14.4 W/m - Static White, Static Color, RGBW, RGBWW, RGBA) | 40 - 4000K 2721 - Warm Dim 2700K - 2100K (IP65+IP68) |
| 5.0 - 5.0 W/ft (16.4 W/m - Static White, Static Color) | 60 - 6000K Z - Undecided** |
| 5.2 - 5.2 W/ft (17.1 W/m - Warm Dim) | R - Red ** For quotes only. Must be chosen before final order. |
| 5.5 - 5.5 W/ft (18.0 W/m - RGBW, RGBA) | A - Amber |
| 6.0 - 6.0 W/ft (19.7 W/m - Static White, Static Color, Variable White) | G - Green |
| 6.1 - 6.1 W/ft (20 W/m - Variable White Linea) | B - Blue |
| 8.8 - 8.8 W/ft (28.9 W/m - RGBW, RGBWW) | |

| CONNECTION OPTIONS (See diagrams on the right) | Custom Length (ft.) |
|--|---------------------|
| 1 - End Feed Bare Wire Connection | |
| 2 - Back Feed Bare Wire Connection | |
| 3 - Side Feed Bare Wire Connection | |
| 4 - End Feed with IP67 Male Coupler | |
| 5 - Soldered Daisy Chain | |
| 6 - Daisy Chain With IP67 Couplers | |



STEP 3 Complete Assembly Option & Length

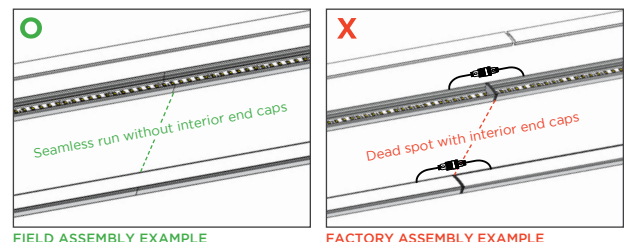
| ASSEMBLY OPTION | LENGTH (Standard factory assembled length up to 6 ft 6.7 in. / 2 m) |
|---|---|
| FI - Field Assembly | |
| FA - Factory Assembly* (not recommended for exterior applications) | |

* Factory assembled runs exceeding 6 ft 6.7 in. (2 m) will be split into multiple daisy chained fixtures.

STEP 4 Add Accessories

| ACCESSORIES |
|--|
| TILTSTANDST - Tiltable Stand CHMAGO.5 - Magnetic Mount |

DO NOT BUTT END CAPS AGAINST EACH OTHER WHEN CREATING LONGER FIXTURES
 Acolyte STRONGLY SUGGESTS field assembly (without using interior end caps) for direct-view fixtures of more than 6 ft 6.7 in. (2 m) in length. Field assembly without interior end caps will eliminate gaps or dead spots that can be caused by butting interior end caps against each other.





RIBBONLYTE SPECIFICATIONS & COMPATIBILITY

| Available Wattages | Cutttable Length | LED Pitch | Color Temp. | lm/W without Lens | Delivered Lumens with Clear Lens | Delivered Lumens with Frosted Lens | Delivered Lumens with Milky Lens | Max Length | Compatible with Channel | | |
|----------------------------|-------------------|---------------------------|---------------------------|---------------------------|----------------------------------|------------------------------------|----------------------------------|--|-------------------------|------|------|
| | | | | | | | | | IP20 | IP65 | IP68 |
| 0.75 Static White Series 2 | 1.97 in. (50 mm) | 48 LEDs/ft (160 LEDs/m) | 1800K | 84 | 58 lm/ft (190.3 lm/m) | 53.6 lm/ft (175.8 lm/m) | 44.1 lm/ft (144.6 lm/m) | IP20: 49 ft (15 m) IP65/ IP68: 32.8 ft (10 m) | ✓ | ✓ | ✓ |
| | | | 2000K | 99 | 68.3 lm/ft (224 lm/m) | 63.1 lm/ft (207 lm/m) | 52 lm/ft (170.6 lm/m) | | | | |
| | | | 2200K | 109 | 75.2 lm/ft (246.7 lm/m) | 69.5 lm/ft (228 lm/m) | 57.2 lm/ft (187.6 lm/m) | | | | |
| | | | 2400K | 113 | 78 lm/ft (255.8 lm/m) | 72.0 lm/ft (236.2 lm/m) | 59.3 lm/ft (194.5 lm/m) | | | | |
| | | | 2700K | 123 | 84.9 lm/ft (278.5 lm/m) | 78.4 lm/ft (257.2 lm/m) | 64.6 lm/ft (211.9 lm/m) | | | | |
| | | | 3000K | 123 | 84.9 lm/ft (278.5 lm/m) | 78.4 lm/ft (257.2 lm/m) | 64.6 lm/ft (211.9 lm/m) | | | | |
| | | | 3500K | 130 | 89.7 lm/ft (294.2 lm/m) | 82.9 lm/ft (272 lm/m) | 68.3 lm/ft (224 lm/m) | | | | |
| | | | 4000K | 134 | 92.5 lm/ft (303.4 lm/m) | 85.4 lm/ft (280.1 lm/m) | 70.4 lm/ft (230.9 lm/m) | | | | |
| | | | 6000K | 131 | 90.4 lm/ft (296.5 lm/m) | 83.5 lm/ft (273.9 lm/m) | 68.8 lm/ft (225.7 lm/m) | | | | |
| 1.5 Static White Series 2 | 1.97 in. (50 mm) | 48 LEDs/ft (160 LEDs/m) | 1800K | 84 | 115.9 lm/ft (380.2 lm/m) | 107.1 lm/ft (351.3 lm/m) | 88.2 lm/ft (289.3 lm/m) | IP20: 49 ft (15 m) IP65/ IP68: 32.8 ft (10 m) | ✓ | ✓ | ✓ |
| | | | 2000K | 98 | 135.2 lm/ft (443.5 lm/m) | 125 lm/ft (410 lm/m) | 102.9 lm/ft (337.5 lm/m) | | | | |
| | | | 2200K | 109 | 150.4 lm/ft (493.3 lm/m) | 139 lm/ft (455.9 lm/m) | 114.5 lm/ft (375.6 lm/m) | | | | |
| | | | 2400K | 113 | 155.9 lm/ft (511.4 lm/m) | 144.1 lm/ft (472.6 lm/m) | 118.7 lm/ft (389.3 lm/m) | | | | |
| | | | 2700K | 123 | 169.7 lm/ft (556.6 lm/m) | 156.8 lm/ft (514.3 lm/m) | 129.2 lm/ft (423.8 lm/m) | | | | |
| | | | 3000K | 123 | 169.7 lm/ft (556.6 lm/m) | 156.8 lm/ft (514.3 lm/m) | 129.2 lm/ft (423.8 lm/m) | | | | |
| | | | 3500K | 129 | 178 lm/ft (583.8 lm/m) | 164.5 lm/ft (539.6 lm/m) | 135.5 lm/ft (444.4 lm/m) | | | | |
| | | | 4000K | 134 | 184.9 lm/ft (606.5 lm/m) | 170.9 lm/ft (560.6 lm/m) | 140.7 lm/ft (461.5 lm/m) | | | | |
| | | | 6000K | 131 | 180.8 lm/ft (593 lm/m) | 167 lm/ft (547.8 lm/m) | 137.6 lm/ft (451.3 lm/m) | | | | |
| 2.2 Static White Series 2 | 1.97 in. (50 mm) | 48 LEDs/ft (160 LEDs/m) | 1800K | 83 | 168 lm/ft (551 lm/m) | 155.2 lm/ft (509.1 lm/m) | 127.8 lm/ft (419.2 lm/m) | IP20: 42 ft (12.8 m) IP65/ IP68: 32.8 ft (10 m) | ✓ | ✓ | ✓ |
| | | | 2000K | 96 | 194.3 lm/ft (637.3 lm/m) | 179.5 lm/ft (588.8 lm/m) | 147.8 lm/ft (484.8 lm/m) | | | | |
| | | | 2200K | 106 | 214.5 lm/ft (703.6 lm/m) | 198.2 lm/ft (650.1 lm/m) | 163.2 lm/ft (535.3 lm/m) | | | | |
| | | | 2400K | 111 | 224.7 lm/ft (737 lm/m) | 207.6 lm/ft (680.9 lm/m) | 170.9 lm/ft (560.6 lm/m) | | | | |
| | | | 2700K | 120 | 242.9 lm/ft (796.7 lm/m) | 224.4 lm/ft (736 lm/m) | 184.8 lm/ft (606.1 lm/m) | | | | |
| | | | 3000K | 122 | 246.9 lm/ft (809.8 lm/m) | 228.1 lm/ft (748.2 lm/m) | 187.9 lm/ft (616.3 lm/m) | | | | |
| | | | 3500K | 127 | 257 lm/ft (843 lm/m) | 237.5 lm/ft (779 lm/m) | 195.6 lm/ft (641.6 lm/m) | | | | |
| | | | 4000K | 133 | 269.2 lm/ft (883 lm/m) | 248.7 lm/ft (779 lm/m) | 204.8 lm/ft (671.7 lm/m) | | | | |
| | | | 6000K | 128 | 259.1 lm/ft (849.8 lm/m) | 239.4 lm/ft (785.2 lm/m) | 197.1 lm/ft (646.5 lm/m) | | | | |
| 3.0 Static White Series 2 | 1.97 in. (50 mm) | 48 LEDs/ft (160 LEDs/m) | 2400K | 109.8 | 303.1 lm/ft (994.1 lm/m) | 280.1 lm/ft (918.6 lm/m) | 230.6 lm/ft (756.5 lm/m) | IP20: 36 ft (11 m) IP65/ IP68: 32.8 ft (10 m) | ✓ | ✓ | ✓ |
| | | | 2700K | 122.9 | 339.6 lm/ft (1114 lm/m) | 313.5 lm/ft (1028.1 lm/m) | 258.1 lm/ft (846.7 lm/m) | | | | |
| | | | 3000K | 130 | 359.1 lm/ft (1177.9 lm/m) | 331.4 lm/ft (1087.1 lm/m) | 273 lm/ft (995.3 lm/m) | | | | |
| | | | 3500K | 133 | 367.5 lm/ft (1205.3 lm/m) | 339.2 lm/ft (1112.4 lm/m) | 279.3 lm/ft (916.1 lm/m) | | | | |
| | | | 4000K | 133 | 367.5 lm/ft (1205.3 lm/m) | 339.2 lm/ft (1112.4 lm/m) | 279.3 lm/ft (916.1 lm/m) | | | | |
| | | | 6000K | 127 | 350.8 lm/ft (1150.5 lm/m) | 323.7 lm/ft (1061.8 lm/m) | 266.6 lm/ft (874.5 lm/m) | | | | |
| 4.4 Static White Series 2 | 1.97 in. (50 mm) | 48 LEDs/ft (160 LEDs/m) | 2400K | 109 | 441.2 lm/ft (1447 lm/m) | 407.7 lm/ft (1337.1 lm/m) | 335.7 lm/ft (1101.2 lm/m) | 28 ft 4 in. (8.64 m) | ✓ | ✓ | ✓ |
| | | | 2700K | 122 | 494.4 lm/ft (1621.6 lm/m) | 456.3 lm/ft (1496.6 lm/m) | 375.8 lm/ft (1232.5 lm/m) | | | | |
| | | | 3000K | 129 | 522.8 lm/ft (1714.7 lm/m) | 482.5 lm/ft (1582.5 lm/m) | 397.3 lm/ft (1303.2 lm/m) | | | | |
| | | | 3500K | 132 | 534.9 lm/ft (1754.5 lm/m) | 493.7 lm/ft (1619.3 lm/m) | 406.6 lm/ft (1333.5 lm/m) | | | | |
| | | | 4000K | 132 | 534.9 lm/ft (1754.5 lm/m) | 493.7 lm/ft (1619.3 lm/m) | 406.6 lm/ft (1333.5 lm/m) | | | | |
| 6000K | 126 | 510.6 lm/ft (1674.8 lm/m) | 471.2 lm/ft (1545.7 lm/m) | 388.1 lm/ft (1272.9 lm/m) | | | | | | | |
| 5.0 Static White Series 2 | 1.4 in. (35.7 mm) | 68 LEDs/ft (224 LEDs/m) | 2400K | 109.8 | 505.1 lm/ft (1656.8 lm/m) | 466.8 lm/ft (1531 lm/m) | 384.4 lm/ft (1260.8 lm/m) | IP20: 33 ft 4 in. (10.1 m) IP65: 32.8 ft (10 m) | ✓ | ✓ | |
| | | | 2700K | 122.9 | 566.1 lm/ft (1856.7 lm/m) | 522.4 lm/ft (1713.6 lm/m) | 430.2 lm/ft (1411.2 lm/m) | | | | |
| | | | 3000K | 130 | 598.5 lm/ft (1963.2 lm/m) | 552.4 lm/ft (1811.9 lm/m) | 454.9 lm/ft (1492.1 lm/m) | | | | |
| | | | 3500K | 133 | 612.5 lm/ft (2008.9 lm/m) | 565.3 lm/ft (1854 lm/m) | 465.5 lm/ft (1526.8 lm/m) | | | | |
| | | | 4000K | 133 | 612.5 lm/ft (2008.9 lm/m) | 565.3 lm/ft (1854 lm/m) | 465.5 lm/ft (1526.8 lm/m) | | | | |
| | | | 6000K | 127 | 584.6 lm/ft (1917.6 lm/m) | 539.6 lm/ft (1769.7 lm/m) | 444.3 lm/ft (1457.4 lm/m) | | | | |
| 6.0 Static White Series 2 | 1.4 in. (35.7 mm) | 68 LEDs/ft (224 LEDs/m) | 2400K | 109 | 601.6 lm/ft (1973.2 lm/m) | 555.9 lm/ft (1823.4 lm/m) | 457.8 lm/ft (1501.6 lm/m) | 28 ft (8.5 m) | ✓ | ✓ | |
| | | | 2700K | 122 | 674.2 lm/ft (2211.3 lm/m) | 622.2 lm/ft (2040.8 lm/m) | 512.4 lm/ft (1680.7 lm/m) | | | | |
| | | | 3000K | 129 | 712.9 lm/ft (2338.2 lm/m) | 657.9 lm/ft (2157.9 lm/m) | 541.8 lm/ft (1777.1 lm/m) | | | | |
| | | | 3500K | 132 | 729.4 lm/ft (2392.5 lm/m) | 673.2 lm/ft (2208.1 lm/m) | 554.4 lm/ft (1818.4 lm/m) | | | | |
| | | | 4000K | 132 | 729.4 lm/ft (2392.5 lm/m) | 673.2 lm/ft (2208.1 lm/m) | 554.4 lm/ft (1818.4 lm/m) | | | | |
| | | | 6000K | 126 | 696.3 lm/ft (2283.8 lm/m) | 642.6 lm/ft (2107.7 lm/m) | 529.2 lm/ft (1735.8 lm/m) | | | | |

RIBBONLYTE SPECIFICATIONS & COMPATIBILITY

| Available Wattages | Cutttable Length | LED Pitch | Color Temp. | lm/W without Lens | Delivered Lumens with Clear Lens | Delivered Lumens with Frosted Lens | Delivered Lumens with Milky Lens | Max Length | Compatible with Channel | | |
|----------------------------|---------------------|--------------------------|---------------|-------------------|----------------------------------|------------------------------------|----------------------------------|--|-------------------------|------|------|
| | | | | | | | | | IP20 | IP65 | IP68 |
| 0.75 Static Color Series 2 | 1.97 in. (50 mm) | 48 LEDs/ft (160 LEDs/m) | Red | 41 | 28 lm/ft (93 lm/m) | 26 lm/ft (86 lm/m) | 22 lm/ft (70.6 lm/m) | IP20: 49 ft (15 m) IP65/ IP68: 32.8 ft (10 m) | ✓ | ✓ | ✓ |
| | | | Green | 175 | 121 lm/ft (396 lm/m) | 112 lm/ft (366 lm/m) | 92 lm/ft (301.4 lm/m) | | | | |
| | | | Blue | 19 | 13 lm/ft (43 lm/m) | 12 lm/ft (40 lm/m) | 10 lm/ft (32.7 lm/m) | | | | |
| | | | Amber | 34 | 23 lm/ft (77 lm/m) | 22 lm/ft (71 lm/m) | 18 lm/ft (58.6 lm/m) | | | | |
| 1.5 Static Color Series 2 | 1.97 in. (50 mm) | 48 LEDs/ft (160 LEDs/m) | Red | 42 | 58 lm/ft (190 lm/m) | 54 lm/ft (176 lm/m) | 44 lm/ft (144.7 lm/m) | IP20: 49 ft (15 m) IP65/ IP68: 32.8 ft (10 m) | ✓ | ✓ | ✓ |
| | | | Green | 160 | 221 lm/ft (724 lm/m) | 204 lm/ft (669 lm/m) | 168 lm/ft (551.1 lm/m) | | | | |
| | | | Blue | 18 | 25 lm/ft (81 lm/m) | 23 lm/ft (75 lm/m) | 19 lm/ft (62 lm/m) | | | | |
| | | | Amber | 34 | 47 lm/ft (154 lm/m) | 43 lm/ft (142 lm/m) | 36 lm/ft (117.1 lm/m) | | | | |
| 2.2 Static Color Series 2 | 1.97 in. (50 mm) | 48 LEDs/ft (160 LEDs/m) | Red | 42 | 85 lm/ft (279 lm/m) | 79 lm/ft (258 lm/m) | 65 lm/ft (212.2 lm/m) | IP20: 42 ft (12.8 m) IP65/ IP68: 32.8 ft (10 m) | ✓ | ✓ | ✓ |
| | | | Green | 145 | 293 lm/ft (963 lm/m) | 271 lm/ft (889 lm/m) | 223 lm/ft (732.4 lm/m) | | | | |
| | | | Blue | 18 | 36 lm/ft (119 lm/m) | 34 lm/ft (110 lm/m) | 28 lm/ft (90.9 lm/m) | | | | |
| | | | Amber | 33 | 67 lm/ft (219 lm/m) | 62 lm/ft (202 lm/m) | 51 lm/ft (166.7 lm/m) | | | | |
| 3.0 Static Color Series 2 | 1.97 in. (50 mm) | 48 LEDs/ft (160 LEDs/m) | Red | 40.0 | 110.4 lm/ft (362.1 lm/m) | 102.0 lm/ft (334.6 lm/m) | 84.0 lm/ft (275.52 lm/m) | 32.8 ft (10 m) | ✓ | ✓ | ✓ |
| | | | Green | 127.0 | 350.9 lm/ft (1151.0 lm/m) | 323.9 lm/ft (1062.2 lm/m) | 266.7 lm/ft (874.776 lm/m) | | | | |
| | | | Blue | 25.0 | 69.1 lm/ft (226.6 lm/m) | 63.8 lm/ft (209.1 lm/m) | 52.5 lm/ft (172.2 lm/m) | | | | |
| | | | Amber | 29.0 | 80.1 lm/ft (262.8 lm/m) | 74.0 lm/ft (242.6 lm/m) | 60.9 lm/ft (199.752 lm/m) | | | | |
| 4.4 Static Color Series 2 | 1.97 in. (50 mm) | 48 LEDs/ft (160 LEDs/m) | Red | 38.0 | 153.8 lm/ft (504.5 lm/m) | 142.1 lm/ft (466.2 lm/m) | 117.0 lm/ft (383.8912 lm/m) | 29 ft (8.8 m) | ✓ | ✓ | ✓ |
| | | | Green | 117.0 | 474.1 lm/ft (1555.1 lm/m) | 437.6 lm/ft (1435.3 lm/m) | 360.4 lm/ft (1181.981 lm/m) | | | | |
| | | | Blue | 24.0 | 97.3 lm/ft (319.0 lm/m) | 89.8 lm/ft (294.4 lm/m) | 73.9 lm/ft (242.4576 lm/m) | | | | |
| | | | Amber | 25.0 | 101.3 lm/ft (332.2 lm/m) | 93.5 lm/ft (306.7 lm/m) | 77.0 lm/ft (252.56 lm/m) | | | | |
| 5.0 Static Color Series 2 | 1.4 in. (35.7 mm) | 68 LEDs/ft (224 LEDs/m) | Red | 37.0 | 170.2 lm/ft (558.2 lm/m) | 157.3 lm/ft (515.8 lm/m) | 129.5 lm/ft (424.76 lm/m) | 30 ft (9.14 m) | ✓ | ✓ | |
| | | | Green | 116.0 | 534.2 lm/ft (1752.1 lm/m) | 493.0 lm/ft (1617.0 lm/m) | 406.0 lm/ft (1331.68 lm/m) | | | | |
| | | | Blue | 24.0 | 110.5 lm/ft (362.5 lm/m) | 102.0 lm/ft (334.6 lm/m) | 84.0 lm/ft (275.52 lm/m) | | | | |
| | | | Amber | 26.0 | 119.7 lm/ft (392.7 lm/m) | 110.5 lm/ft (362.4 lm/m) | 91.0 lm/ft (298.48 lm/m) | | | | |
| 6.0 Static Color Series 2 | 1.4 in. (35.7 mm) | 68 LEDs/ft (224 LEDs/m) | Red | 37.0 | 204.2 lm/ft (669.8 lm/m) | 188.7 lm/ft (618.9 lm/m) | 155.4 lm/ft (509.712 lm/m) | 28 ft (8.5 m) | ✓ | ✓ | |
| | | | Green | 113.0 | 624.4 lm/ft (2048.2 lm/m) | 576.3 lm/ft (1890.3 lm/m) | 474.6 lm/ft (1556.688 lm/m) | | | | |
| | | | Blue | 23.0 | 127.1 lm/ft (416.9 lm/m) | 117.3 lm/ft (384.8 lm/m) | 96.6 lm/ft (316.9 lm/m) | | | | |
| | | | Amber | 24.0 | 132.6 lm/ft (435.0 lm/m) | 122.4 lm/ft (401.6 lm/m) | 100.8 lm/ft (330.7 lm/m) | | | | |
| 2.4 Static White Linea | 1.97 in. (50 mm) | 146 LEDs/ft (480 LEDs/m) | 2700K | 67 | 148.1 lm/ft (485.8 lm/m) | 136.9 lm/ft (448.8 lm/m) | 112.7 lm/ft (369.6 lm/m) | 21.3 ft (6.5 m) | ✓ | N/A | N/A |
| | | | 3000K | 71 | 156.4 lm/ft (514.3 lm/m) | 144.5 lm/ft (475.2 lm/m) | 119 lm/ft (391.3 lm/m) | | | | |
| | | | 3500K | 83 | 183.1 lm/ft (601.7 lm/m) | 169.2 lm/ft (555.9 lm/m) | 139.3 lm/ft (457.8 lm/m) | | | | |
| | | | 4000K | 83 | 183.1 lm/ft (601.7 lm/m) | 169.2 lm/ft (555.9 lm/m) | 139.3 lm/ft (457.8 lm/m) | | | | |
| 3.0 Static White Linea | 1.97 in. (50 mm) | 146 LEDs/ft (480 LEDs/m) | 2700K | 66 | 182.2 lm/ft (598 lm/m) | 168.3 lm/ft (552.5 lm/m) | 138.6 lm/ft (455 lm/m) | 21.3 ft (6.5 m) | ✓ | N/A | N/A |
| | | | 3000K | 73 | 201.5 lm/ft (661.5 lm/m) | 186.2 lm/ft (611.2 lm/m) | 153.3 lm/ft (503.3 lm/m) | | | | |
| | | | 3500K | 78 | 215.3 lm/ft (706.6 lm/m) | 198.9 lm/ft (652.8 lm/m) | 163.8 lm/ft (537.6 lm/m) | | | | |
| | | | 4000K | 83 | 229.1 lm/ft (751.6 lm/m) | 211.7 lm/ft (694.5 lm/m) | 174.3 lm/ft (571.9 lm/m) | | | | |
| 4.3 Static White Linea | 1.97 in. (50 mm) | 146 LEDs/ft (480 LEDs/m) | 2700K | 75 | 297.2 lm/ft (973.4 lm/m) | 274.6 lm/ft (899.3 lm/m) | 226.1 lm/ft (740.6 lm/m) | 24.6 ft (7.5 m) | ✓ | N/A | N/A |
| | | | 3000K | 78 | 308.2 lm/ft (1012 lm/m) | 284.8 lm/ft (935 lm/m) | 234.5 lm/ft (770 lm/m) | | | | |
| | | | 3500K | 86 | 340.4 lm/ft (1116.9 lm/m) | 314.5 lm/ft (1031.9 lm/m) | 259 lm/ft (849.8 lm/m) | | | | |
| | | | 4000K | 86 | 340.4 lm/ft (1116.9 lm/m) | 314.5 lm/ft (1031.9 lm/m) | 259 lm/ft (849.8 lm/m) | | | | |
| 6.1 Variable White Linea | 1.09 in. (27.78 mm) | 175 LEDs/ft (576 LEDs/m) | 2700K + 6500K | 95 | 533.6 lm/ft (1750.8 lm/m) | 493 lm/ft (1617.6 lm/m) | 406 lm/ft (1332.1 lm/m) | 16.4 ft (5 m) | ✓ | N/A | N/A |

RIBBONLYTE SPECIFICATIONS & COMPATIBILITY

| Available Wattages | Cuttable Length | LED Pitch | Color Temp. | lm/W without Lens | Delivered Lumens with Clear Lens | Delivered Lumens with Frosted Lens | Delivered Lumens with Milky Lens | Max Length | Compatible with Channel | | |
|-----------------------------|--------------------|-------------------------|---------------|-------------------|---|--|---|--|-------------------------|------|------|
| | | | | | | | | | IP20 | IP65 | IP68 |
| 1.0 Variable White Series 2 | 1.97 in. (50 mm) | 42 LEDs/ft (140 LEDs/m) | 2000K + 6500K | 85.0 | 78.2 lm/ft (257 lm/m) | 72.3 lm/ft (237 lm/m) | 60 lm/ft (200 lm/m) | 32.8 ft (10 m) | ✓ | ✓ | ✓ |
| 3.0 Variable White Series 2 | 1.97 in. (50 mm) | 42 LEDs/ft (140 LEDs/m) | 2000K + 6500K | 80.0 | 220.8 lm/ft (725 lm/m) | 205.0 lm/ft (670 lm/m) | 168.0 lm/ft (551.2 lm/m) | 32.8 ft (10 m) | ✓ | ✓ | ✓ |
| 6.0 Variable White Series 2 | 1.97 in. (50 mm) | 42 LEDs/ft (140 LEDs/m) | 2000K + 6500K | 75.0 | 415 lm/ft (1,362 lm/m) | 382.5 lm/ft (1255 lm/m) | 315.0 lm/ft (1033.5 lm/m) | 19 ft 8 in. (6 m) | ✓ | ✓ | ✓ |
| 4.4 RGBW Series 2 | 1.97 in. (50 mm) | 36 LEDs/ft (120 LEDs/m) | RGBW | 45 | 188.1 lm/ft (617.2 lm/m) All LEDs at 100% | 168.3 lm/ft (552.2 lm/m) All LEDs at 100% | 148.5 lm/ft (487.2 lm/m) All LEDs at 100% | 19 ft 8 in. (6 m) | ✓ | N/A | N/A |
| 5.5 RGBW Series 2 | 1.97 in. (50 mm) | 36 LEDs/ft (120 LEDs/m) | RGBW | 59 | 308.8 lm/ft (1013.0 lm/m) All LEDs at 100% | 275.8 lm/ft (904.9 lm/m) All LEDs at 100% | 243.3 lm/ft (798.5 lm/m) All LEDs at 100% | IP65: 16 ft 4 in. (5 m) IP68: 19 ft 7.9 in. (6 m) | N/A | ✓ | |
| 8.8 RGBW Series 2 | 1.97 in. (50 mm) | 36 LEDs/ft (120 LEDs/m) | RGBW | 61 | 510.2 lm/ft (1673.8 lm/m) All LEDs at 100% | 456.3 lm/ft (1497.1 lm/m) All LEDs at 100% | 402.6 lm/ft (1320.9 lm/m) All LEDs at 100% | 16 ft 4 in. (5 m) | ✓ | N/A | N/A |
| 5.5 4-in-1 RGBA | 3.94 in. (100 mm) | 18 LEDs/ft (60 LEDs/m) | RGBA | 27 | 161.5 lm/ft (529.6 lm/m) All LEDs at 100% | 237.15 lm/ft (777.75 lm/m) All LEDs at 100% | 195.3 lm/ft (640.5 lm/m) All LEDs at 100% | 19 ft 7.9 in. (6 m) | ✓ | ✓ | |
| 4.4 5-in-1 RGBWW | 2.46 in. (62.5 mm) | 29 LED/ft (96 LED/m) | RGBWW | 59 | 241.4 lm/ft (792.1 lm/m) All LEDs at 100% | 220.7 lm/ft (724.0 lm/m) All LEDs at 100% | 194.7 lm/ft (638.8 lm/m) All LEDs at 100% | 16 ft 4 in (5 m) | ✓ | N/A | N/A |
| 8.8 5-in-1 RGBWW | 2.46 in. (62.5 mm) | 29 LED/ft (96 LED/m) | RGBWW | 50 | 409.2 lm/ft (1342.6 lm/m) All LEDs at 100% | 374.0 lm/ft (1227.1 lm/m) All LEDs at 100% | 330.0 lm/ft (1082.7 lm/m) All LEDs at 100% | 11 ft 6 in (3.5 m) | ✓ | N/A | N/A |
| 5.2 Warm Dim | 3.94 in. (100 mm) | 36 LEDs/ft (120 LEDs/m) | WARM DIM | 55 | 263.1 lm/ft (863 lm/m) | 244.8 lm/ft (803.25 lm/m) | 201.6 lm/ft (661.5 lm/m) | 16 ft 4 in. (5 m) | ✓ | ✓ | |

DIODE VISIBILITY CHART (Data below applies to installations with Milky lens only)

| | | | | | | | | | |
|---|--|--------------|----------------------------------|--|-------------------------------|------------------|------------------|--------------|----------------|
|  | No Visible Diode = N Note: Linea RibbonLyte has no visible diode | | |  | With Visible Diode = Y | | | | |
| Static White & Static Color RibbonLyte | | | Color Changing RibbonLyte | | | | | | |
| 0.75/1.5/2.2 | 3.0/4.4 | 5.0/6.0 | 4.4 RGBW Series 2 | 5.5 RGBW Series 2 | 8.8 RGBW Series 2 | 4.4 5-in-1 RGBWW | 8.8 5-in-1 RGBWW | Warm Dim | Variable White |
| IP20 IP65 IP68 | IP20 IP65 IP68 | IP20 IP65 | IP20 | IP65 | IP20 | IP20 | IP20 | IP20 IP65 | IP20 IP65 |
| N | N | N | N | N | N | N | N | N | N |

AVAILABLE DRIVERS / CONTROLLERS AND DIMMING OPTIONS / WIRE GAUGE CHART

NON-DIMMING ELECTRONIC DRIVERS

ELV & MLV DRIVERS



30W, 60W, 96W
Non-Dimming Electronic
Class 2 Drivers

Part No.:
• DRVW2430 (30 Watt)
• DRVW2460 (60 Watt)
• DRVW2496 (96 Watt)
Output Voltage: 24 V
Voltage Range: 120-277 VAC
IP Rating: Dry or Damp
UL Listed



240W, 320W
Non-Dimming
Electronic Drivers

Part No.:
• DRVW24240 (240 Watt)
• DRVW24320 (320 Watt)
Output Voltage: 24 V
Voltage Range: 90-305 VAC
IP Rating: Dry or Damp
UL Recognized



60W, 96W, 150W, 300W, 600w_test
ELV/MLV Dimmable Drivers

Part No.:
• DRVW2460ELVMLV (60 Watt)
• DRVW2496ELVMLV (96 Watt)
• DRVW24150ELVMLV (150 Watt)
• DRVW24300ELVMLV (300 Watt)
Line Voltage Dimmable Drivers
Output Voltage: 24 V
Voltage Range: 100-277 VAC
IP Rating: IP67
UL, CE, and CSA Listed

0-10V DRIVERS



0-10V Dimmable Waterproof Drivers

96W Part No.: DRVW249610P
288W Part No.: DRVW2428810P
Output Voltage: 24 V (+/- 0.5V)
Voltage Range: 100-277 VAC
Environmental Rating: UL Wet Location
UL Listed



0-10V Dimmable 90W VW/WD Driver

Part No.: DRVRFWDVW2490120

DMX CONTROLLER AND PART NUMBER - FOR COLOR CHANGING VERSIONS



GLASS TOUCH
WALL CONTROLLERS
Part Number: AWCRGBWBK
AWCVWBK



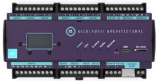
1 ZONE WALL CONTROLLER
Part Number: DMXCTRLG



5 ZONE WALL CONTROLLER
Part Number: DMXCTRL



10 ZONE WALL CONTROLLER
Part Number: DMXCTRLD



2 UNIVERSE DMX CONTROLLER
Part Number: DMXCTRLDR2U



4 CHANNEL WATERPROOF
DMX INTERFACE
Part Number: DMXINFWLCD4



5 CHANNEL
DMX INTERFACE
Part Number: DMXINFOLED5



DMX OPTO SPLITTER
Part Number: DMXOS8

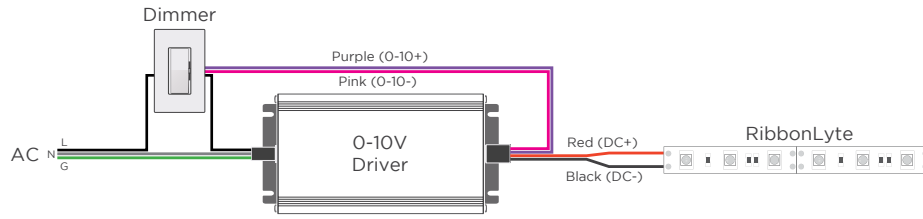
6 UNIVERSE DMX CONTROLLER
Part Number: DMXCTRLDR6U

DRIVER AND RIBBONLYTE AT FULL LOAD

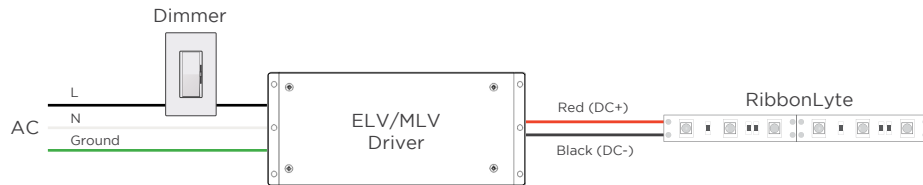
| Wattages | 30 | | 60 | | 96 | | 150 | | 200 | | 240 | | 300 | | 320 | |
|-------------------------------|------|--------|------|--------|------|--------|------|--------|------|--------|------|--------|------|--------|------|--------|
| | Feet | Meters | Feet | Meters | Feet | Meters | Feet | Meters | Feet | Meters | Feet | Meters | Feet | Meters | Feet | Meters |
| 24 AWG / 0.25 mm ² | 14 | 4.27 | 9 | 2.74 | 5.5 | 1.68 | 3.75 | 1.14 | 2.75 | 0.84 | 2.25 | 0.69 | 1.75 | 0.53 | 1.75 | 0.53 |
| 22 AWG / 0.34 mm ² | 22 | 6.71 | 14 | 4.27 | 9 | 2.74 | 5.75 | 1.75 | 4.5 | 1.37 | 3.5 | 1.07 | 2.75 | 0.84 | 2.75 | 0.84 |
| 20 AWG / 0.5 mm ² | 35 | 10.67 | 23 | 7.01 | 14 | 4.27 | 9 | 2.74 | 7 | 2.13 | 5.75 | 1.75 | 4.5 | 1.37 | 4.25 | 1.30 |
| 18 AWG / 0.75 mm ² | 56 | 17.07 | 37 | 11.28 | 23 | 7.01 | 15 | 4.57 | 11 | 3.35 | 9 | 2.74 | 7.5 | 2.29 | 7 | 2.13 |
| 16 AWG / 1.5 mm ² | 90 | 27.44 | 60 | 18.29 | 37 | 11.28 | 24 | 7.32 | 18 | 5.49 | 15 | 4.57 | 12 | 3.66 | 11 | 3.35 |
| 14 AWG / 2.5 mm ² | 142 | 43.29 | 95 | 28.96 | 59 | 17.99 | 38 | 11.59 | 28 | 8.54 | 23 | 7.01 | 19 | 5.79 | 17 | 5.18 |
| 12 AWG / 4 mm ² | 226 | 68.90 | 151 | 46.04 | 94 | 28.66 | 60 | 18.29 | 45 | 13.72 | 37 | 11.28 | 30 | 9.15 | 28 | 8.54 |
| 10 AWG / 6 mm ² | 360 | 109.76 | 240 | 73.17 | 150 | 45.73 | 96 | 29.27 | 72 | 21.95 | 60 | 18.29 | 48 | 14.63 | 45 | 13.72 |
| 8 AWG / 10 mm ² | 574 | 175.00 | 381 | 116.16 | 239 | 72.87 | 153 | 46.65 | 115 | 35.06 | 95 | 28.96 | 76 | 23.17 | 71 | 21.65 |

WIRING DIAGRAMS

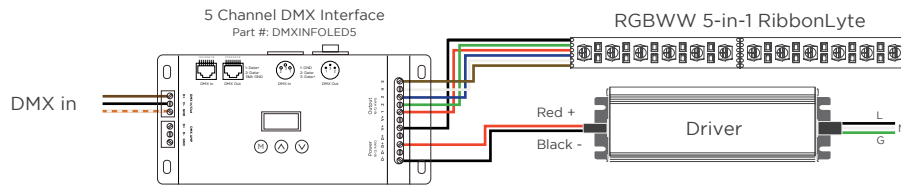
0-10V



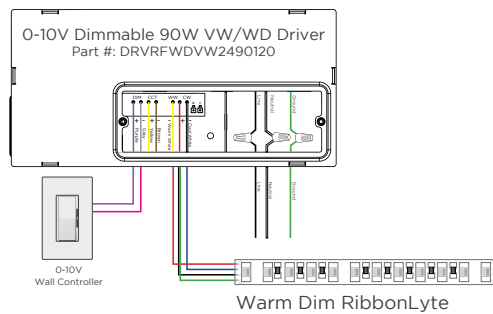
MLV / ELV



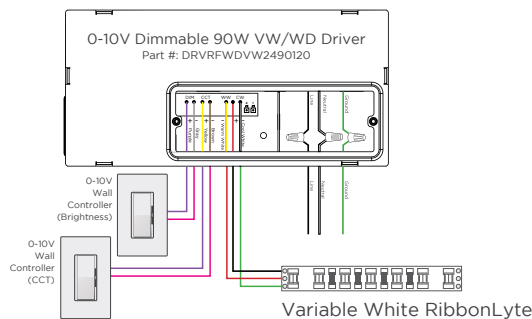
DMX



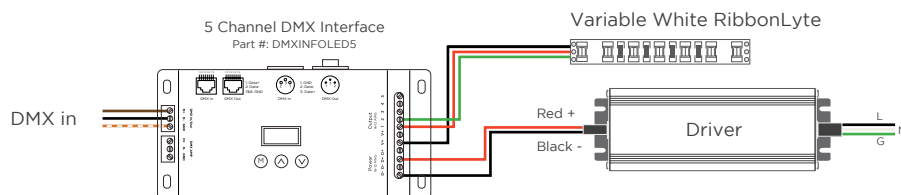
WARM DIM



2-CHANNEL VARIABLE WHITE DIMMING



DMX WIRING DIAGRAM - COMPATIBLE WITH ALL MODELS OF VARIABLE WHITE RIBBONLYTE



WIRE COLORS PER RIBBONLYTE COLOR

STATIC WHITE + STATIC COLOR

Red Wire (+) Positive
Black Wire (-) Negative

RGBW + RGBA

Black Wire (+) Positive
Green Wire (-) goes to Green Channel
Red Wire (-) goes to Red Channel
Blue Wire (-) goes to Blue Channel
White Wire (-) goes to White Channel

RGBWW

Black (+) Positive
Green Wire (-) goes to Green Channel
Red Wire (-) goes to Red Channel
Blue Wire (-) goes to Blue Channel
White Wire (-) goes to White Channel 1
Brown Wire (-) goes to White Channel 2

WARM DIM

Red Wire (-) goes to Warm White Channel
Blue Wire (-) goes to Cool White Channel
Green Wire (+) goes to Cool White Channel

VARIABLE WHITE

Black Wire (+) Positive
Red Wire (-) goes to Warm White Channel
Green Wire (-) goes to Cool White Channel

REV.24JUL2024

GLOBAL HQ

320 Murray Hill Pkwy
East Rutherford, NJ 07073
T: (+1) 212 629 6830
E: Sales-US@GENLEDBrands.com

EUROPEAN HQ

De Corridor 16K
3621ZB Breukelen
Netherlands
T: (+31) 346 235 000
E: SalesEurope@GENLEDBrands.com

MEINA HQ

PO Box 371378, #823, Building 4EA
Dubai Airport Free Zone, Dubai, UAE
T: (+971) 4 701 7901
E: SalesMEINA@genledebrands.com

ASIA-PACIFIC HQ

Room 402, Building D
Shenshi Tongchuang Science and Technology Park
No. 16 Hongyin Road
Xingqiang Community, Xinhua Street
Guangming District, Shenzhen, China 518107
Sales: (+86) 139 1836 3905
Office: (+86) 755 8529 0710
E: Sales-Pacific@GENLEDBrands.com

[linkedin.com/company/genledeacolyte](https://www.linkedin.com/company/genledeacolyte)

[facebook.com/acolyteled](https://www.facebook.com/acolyteled)

[instagram.com/acolyte_led](https://www.instagram.com/acolyte_led)