

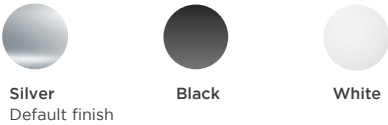
**AS7 CHANNEL FIXTURE**

Our AS7 Channel Fixture is a surface mounted linear fixture designed to work with the new Micro RibbonLyte 1.0, 3.0 & 4.5. AS7's ultra slim width of 0.39 in. (10 mm) can create clean and modern linear designs for retail stores, commercial buildings and residential interiors.

- Available for field assembly or factory assembly
- Beam Angle 110°
- Wattage: 1.0 W/ft (3.3 W/m), 3.0 W/ft (9.84 W/m) or 4.5 W/ft (14.76 W/m)
- Delivered Lumen Range from 1 lm/ft (3 lm/m) to 500 lm/ft (1638 lm/m)
- Assembled in USA



**HOUSING FINISHES**

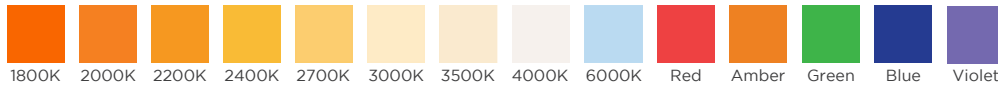


**AVAILABLE LENS FINISHES**



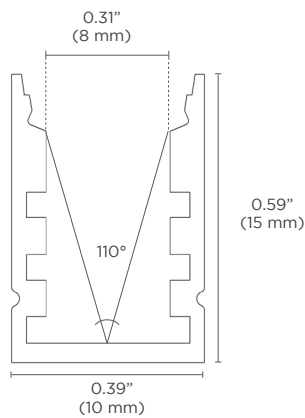
**Milky Lens**  
63% Light Transmission

**AVAILABLE COLORS & COLOR TEMPERATURES**



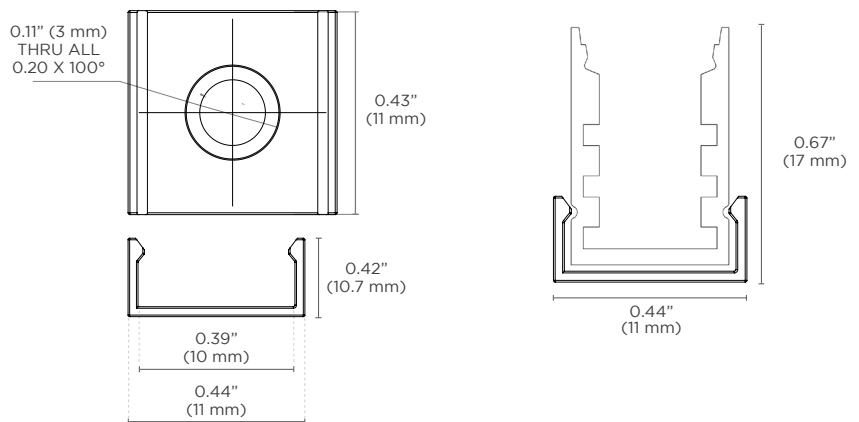
**DIMENSIONS**

**AS7 Channel**



**Width:** 0.39 in. (10 mm)  
**Height:** 0.59 in. (15 mm)  
**Internal Width:** 0.31 in (8 mm)

**Mounting Clip (Included Accessory)**



\* Each section of channel includes 3 mounting clips.  
\* Magnetic mounting option available (see page 2)

**Width:** 0.43 in. (11 mm)  
**Height:** 0.42 in. (10.7 mm)  
**Length:** 0.44 in (11 mm)

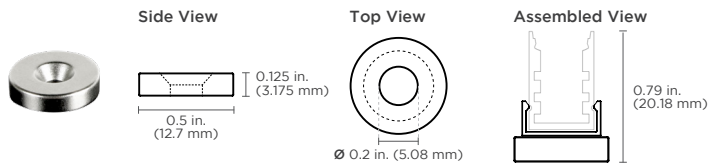
Acolyte does not warrant or represent that the information is free from errors or omission. The information may change without notice and Acolyte is not in any way liable for the accuracy of any information printed and stored or in any way interpreted or used.

**SPECIFICATIONS**

<b>Beam Angle</b>	110°
<b>Lens Type</b>	Milky Lens
<b>Length</b>	Channel is sold by the foot and cut to your exact desired length. Required amount of mounting clips included.
<b>Operating Voltage</b>	24V
<b>Dimming</b>	MLV / 0-10 Volt / Lutron Hi-Lume 1% dimming LED drivers / Lutron VIVE code compliance available / ELV / DALI / DMX
<b>Operating Temperature</b>	-40° F to 158° F (-40° C to 70° C)
<b>Colors</b>	1800K, 2000K, 2200K, 2400K, 2700K, 3000K, 3500K, 4000K, 6000K, Red, Amber, Green, Blue, Violet (1800K, 2000K, 2200K only available in IP20)
<b>CRI</b>	90+ CRI (Static white only)
<b>Lamp Life</b>	L70 at 50,000 Hours
<b>MacAdam Ellipses (SDCM)</b>	2-Step Binning (For Static White LEDs only)
<b>Certifications</b>	ETL Listed: UL 2108 Issued: 2004/02/27 Ed: 1 Rev: 2014/02/24 Low Voltage Lighting Systems CSA C22.2#9.0 Issued: 1996/06/01 Ed: 1 (R2011) General Requirements for Luminaires; with Gen. Inst. 1: 1997, Gen Inst. 2: 1998. ROHS compliant UL 2108 - Low Voltage Lighting Systems UL 8750 - Light Emitting Diode (LED) Equipment for Use in Lighting Products UL 1598 / CSA 250.0-08 - Luminaires

**ACCESSORIES**

**Magnetic Mount** (Part #: CHMAG0.5)



**Features:**

- High-energy neodymium magnets come attached to mounting clips with countersink hex nuts
- Create easy-mount magnetic channels with minimal surface gaps; no tools or drilling necessary
- Magnets rated for 8 lbs. of pull force with static load

**Applications:**

- Industrial lighting retrofits for troffers and other metal fixtures
- Metal retail shelf lighting
- Temporary light fixture installations

Acolyte does not warrant or represent that the information is free from errors or omission. The information may change without notice and Acolyte is not in any way liable for the accuracy of any information printed and stored or in any way interpreted or used.

ORDERING GUIDE

**STEP 1** Complete Channel Part Number

CHANNEL	LENS	HOUSING COLOR	
CHAS7	M		
CHAS7 - AS7 Channel Fixture	M - Milky Lens	SV - Silver (default)	WH - White
		BK - Black	
		Consult factory for custom colors	

**STEP 2** Complete RibbonLyte Part Number

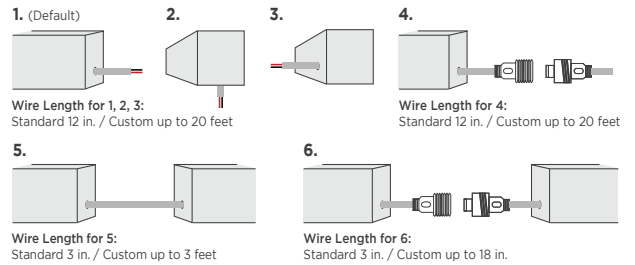
CATEGORY	CRI	RIBBON TYPE & IP RATING	
RB			
RB - RibbonLyte	0 - Static Color, Color Changing	SWMC20 - Static White Micro IP20	SCMC20 - Static Color Micro IP20
	90 - 90+ CRI Static White	SWMC65 - Static White Micro IP65	SCMC65 - Static Color Micro IP65

WATTAGE	COLOR	
1.0 - 1.0 W/ft (3.3 W/m - Static White, Static Color)	18 - 1800K	R - Red
3.0 - 3.0 W/ft (9.8 W/m - Static White, Static Color)	20 - 2000K	A - Amber
4.5 - 4.5 W/ft (14.8 W/m - Static White, Static Color)	22 - 2200K	G - Green
	24 - 2400K	B - Blue
	27 - 2700K	V - Violet
	30 - 3000K	Z - Undecided**
	35 - 3500K	** For quotes only. Must be chosen before final order.
	40 - 4000K	
	60 - 6000K	

CONNECTION OPTIONS (See diagrams on the right)

1 - End Feed Bare Wire Connection	4 - End Feed with IP67 Male Coupler
2 - Back Feed Bare Wire Connection	5 - Soldered Daisy Chain
3 - Side Feed Bare Wire Connection	6 - Daisy Chain With IP67 Couplers

Custom Length (ft.)



**STEP 3** Complete Assembly Option & Length

ASSEMBLY OPTION	LENGTH (Standard factory assembled length up to 78 in. / 2 m)
FI - Field Assembly	
FA - Factory Assembly	

**STEP 4** Add Accessories

ACCESSORIES
CHMAGO.5 - Magnetic Mount

**SPECIFICATIONS**

Available Wattages	Cuttable Length	LED Pitch	Color Temperature	lm/W without Lens	Delivered Lumens with Milky Lens	Standard Cable Length	Compatible with Channel	
							IP20	IP65
1.0 Static White Micro & 1.0 Static Color Micro	1.97 in. (50 mm)	43 LEDs/ft (140 LEDs/m)	2400K	79	49.8 lm/ft (163.3 lm/m)	12 in. (30.5 cm)	✓	✓
			2700K	90	56.7 m/ft (186 lm/m)			
			3000K	94	59.2 lm/ft (194 lm/m)			
			3500K	98	61.7 lm/ft (202.5 lm/m)			
			4000K	97	61.1 lm/ft (200.5 lm/m)			
			6000K	93	58.6 lm/ft (192.2 lm/m)			
			Red	27	16.8 lm/ft (55.0 lm/m)			
			Green	78	49.2 lm/ft (161.3 lm/m)			
			Blue	17	10.6 lm/ft (34.9 lm/m)			
			Amber	19	11.8 lm/ft (38.8 lm/m)			
			Violet	1	0.3 lm/ft (1.0 lm/m)			
3.0 Static White Micro & 3.0 Static Color Micro	1.97 in. (50 mm)	43 LEDs/ft (140 LEDs/m)	2400K	79	149.3 lm/ft (489.7 lm/m)	12 in. (30.5 cm)	✓	✓
			2700K	90	170.1 lm/ft (557.9 lm/m)			
			3000K	94	177.7 lm/ft (582.7 lm/m)			
			3500K	98	185.2 lm/ft (607.5 lm/m)			
			4000K	97	183.3 lm/ft (601.3 lm/m)			
			6000K	93	175.8 lm/ft (576.5 lm/m)			
			Red	27	50.3 lm/ft (164.9 lm/m)			
			Green	78	147.5 lm/ft (483.9 lm/m)			
			Blue	17	31.9 lm/ft (104.6 lm/m)			
			Amber	19	35.5 lm/ft (116.4 lm/m)			
			Violet	1	0.9 lm/ft (2.9529lm/m)			
4.5 Static White Micro & 4.5 Static Color Micro	1.97 in. (50 mm)	43 LEDs/ft (140 LEDs/m)	2400K	80	223.5 lm/ft (733.2 lm/m)	12 in. (30.5 cm)	✓	✓
			2700K	88	247.8 lm/ft (812.7 lm/m)			
			3000K	93	259.8 lm/ft (852.2 lm/m)			
			3500K	87	244.7 lm/ft (802.6 lm/m)			
			4000K	97	268.2 lm/ft (879.7 lm/m)			
			6000K	94	263.1 lm/ft (862.9 lm/m)			
			Red	26	73.5 lm/ft ( 241.1 lm/m)			
			Green	83	243.8 lm/ft ( 799.9 lm/m)			
			Blue	17	52.8 lm/ft ( 173.2 lm/m)			
			Amber	17	51.7 lm/ft ( 169.6 lm/m)			
			Violet	1	1.4 lm/ft ( 4.5 lm/m)			

**DIODE VISIBILITY CHART** (Data below applies to installations with Milky lens only)

	<b>No Visible Diode = N</b>		<b>With Visible Diode = Y</b>
<b>Static White &amp; Static Color Micro RibbonLyte</b>			
<b>1.0</b>		<b>3.0</b>	<b>4.5</b>
IP20 IP65		IP20 IP65	IP20 IP65
<b>N</b>		<b>N</b>	<b>N</b>

AVAILABLE DRIVERS

NON-DIMMING ELECTRONIC DRIVERS



**30W, 60W, 96W  
Non-Dimming Electronic  
Class 2 Drivers**

- Part No.:
- DRVW2430 (30 Watt)
  - DRVW2460 (60 Watt)
  - DRVW2496 (96 Watt)

Output Voltage: 24 V  
Voltage Range: 120-277 VAC  
IP Rating: Dry or Damp  
UL Listed



**240W, 320W  
Non-Dimming  
Electronic Drivers**

- Part No.:
- DRVW24240 (240 Watt)
  - DRVW24320 (320 Watt)

Output Voltage: 24 V  
Voltage Range: 90-305 VAC  
IP Rating: Dry or Damp  
UL Recognized



**40W  
Lutron Hi-Lume 1% Dimming  
Class 2 Drivers**

- Part No.:
- DRVLUT24403W (40 Watt, 3-wire)
  - DRVLUT24402W (40 Watt, 2-wire)

Output Voltage: 24 V  
Voltage Range: 120-277 VAC (3-wire model)  
or 120V (2-wire model)  
IP Rating: Dry or Damp  
Dimmable using 2-wire forward phase,  
3-wire+G or digital EcoSystem  
UL Listed



**96W  
Lutron Hi-Lume Premier 0.1% Dimming  
Class 2 Driver**

- Part No.:
- DRVLUT24963W (96 Watt, 3-wire)

Output Voltage: 24 V  
Voltage Range: 120-277 VAC  
IP Rating: Dry or Damp  
Dimmable using 3-wire+G or digital EcoSystem  
0.1% dimming SoftOn/FadeToBlack  
with EcoSystem  
UL Listed

MAGNETIC, ELV & MLV DRIVERS WITH COMPATIBLE DIMMERS



120 VAC

**60W, 96W, 200W, 300W  
Class 1 & 2 Magnetic Drivers**

- Part No.:
- DRVWDIM2460 (60 Watt)
  - DRVWDIM24100 (96 Watt)
  - DRVWDIM24200 (200 Watt)
  - DRVWDIM24300 (300 Watt)

Magnetic Driver  
Output Voltage: 24 V  
Voltage Range: 120 VAC  
IP Rating: Dry or Damp  
Forward Phase Dimming  
ETL Listed



277 VAC

**60W, 96W, 200W, 300W  
Class 1 & 2 Magnetic Drivers**

- Part No.:
- DRVWDIM2460277 (60 Watt)
  - DRVWDIM24100277 (96 Watt)
  - DRVWDIM24200277 (200 Watt)
  - DRVWDIM24300277 (300 Watt)

Magnetic Driver  
Output Voltage: 24 V  
Voltage Range: 277 VAC  
IP Rating: Dry or Damp  
Forward Phase Dimming  
ETL Listed



**60W, 96W, 150W, 200W  
ELV & MLV Drivers**

- Part No.:
- DRVW2460ELV (60 Watt)
  - DRVW2496ELV (96 Watt)
  - DRVW24150ELV (150 Watt)
  - DRVW24200ELV (200 Watt)

Line Voltage Dimmable Drivers  
Output Voltage: 24 V  
Voltage Range: 100-130 VAC  
IP Rating: Dry or Damp  
Dimmable  
ETL, UL and CSA Listed



**LUTRON Skylark Contour Dimmer**

Part No.: TRIDIMSKY  
Width: 2.94 in (75 mm)  
Length: 4.69 in (120 mm)  
Depth: 0.30 in (7.6 mm)

- Single pole and 3-way versions
- Compatible with **GENLED** Acolyte MLV drivers
- Slide adjusts brightness and On/Off control
- 30 mA max control current
- Available in white finish



**LUTRON NOVA-T Dimmer**

Part No.: TRIDIMNOVA  
Width: 2.75 in (70 mm)  
Length: 4.56 in (116 mm)  
Depth: 0.30 in (7.6 mm)

- Slide adjusts brightness and On/Off control
- 30 mA max control current
- Available in white finish



**LUTRON DIVA Dimmer**

Part No.: TRIDIMDIVA  
(With Locator Light) TRIDIMDIVAL  
Width: 2.94 in (75 mm)  
Length: 4.69 in (120 mm)  
Depth: 0.30 in (7.6 mm)

- Large paddle switch with a captive linear-slide dimmer
- 30 mA max control current
- Available in white finish
- Available with locator light which glows green when the switch is off

Note: For more options, please reference the Optional Dimmer List on Acolyte product website page.

AVAILABLE DRIVERS / CONTROLLERS AND DIMMING OPTIONS / WIRE GAUGE CHART

0-10V DRIVERS AND DIMMERS

DIMMING MODULE



0-10V Dimmable Waterproof Drivers

**96W** Part No.: DRVW249610P  
**288W** Part No.: DRVW2428810P  
 Output Voltage: 24 V (+/- 0.5V)  
 Voltage Range: 100-277 VAC  
 Environmental Rating: UL Wet Location  
 UL Listed



LUTRON DIVA Dimmer

Part No.: LVDIMDIVA  
 Width: 2.94 in (75 mm)  
 Length: 4.69 in (120 mm)  
 Depth: 0.30 in (7.6 mm)

- Compatible with 0-10 V Dimming Module
- Large paddle switch with a captive linear-slide dimmer
- 30 mA max control current
- Available in white finish



LUTRON NOVA-T Dimmer

Part No.: LVDIMNOVA  
 Width: 2.75 in (70 mm)  
 Length: 4.56 in (116 mm)  
 Depth: 0.30 in (7.6 mm)

- Compatible with 0-10 V Dimming Module
- Slide adjusts brightness and On/Off control
- 30 mA max control current
- Available in white finish



Variable White Dimming Module

Part No.: VWDIMMOD

- 1 dimming module required per 30 ft (9.1 m)
- This product is only compatible with Variable White RibbonLyte, not Variable White Amber or Variable White Red. Works with any 0-10V dimmers to provide CCT change with one dimmer and brightness change with the other.

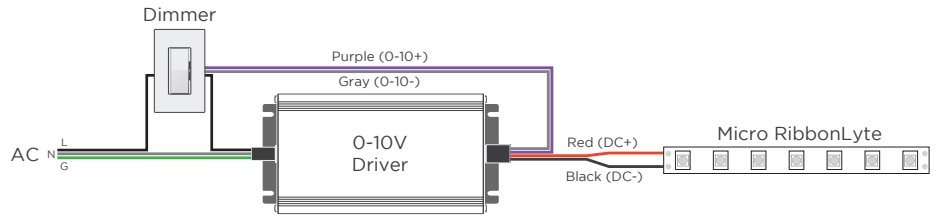
Note: Max length before additional power is introduced

DRIVER AND RIBBONLYTE AT FULL LOAD

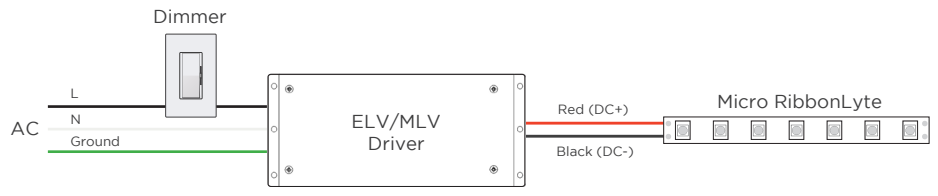
Wattages	30		60		96		150		200		240		300		320	
	Feet	Meters	Feet	Meters	Feet	Meters	Feet	Meters	Feet	Meters	Feet	Meters	Feet	Meters	Feet	Meters
24 AWG	14	4.27	9	2.74	5.5	1.68	3.75	1.14	2.75	0.84	2.25	0.69	1.75	0.53	1.75	0.53
22 AWG	22	6.71	14	4.27	9	2.74	5.75	1.75	4.5	1.37	3.5	1.07	2.75	0.84	2.75	0.84
20 AWG	35	10.67	23	7.01	14	4.27	9	2.74	7	2.13	5.75	1.75	4.5	1.37	4.25	1.30
18 AWG	56	17.07	37	11.28	23	7.01	15	4.57	11	3.35	9	2.74	7.5	2.29	7	2.13
16 AWG	90	27.44	60	18.29	37	11.28	24	7.32	18	5.49	15	4.57	12	3.66	11	3.35
14 AWG	142	43.29	95	28.96	59	17.99	38	11.59	28	8.54	23	7.01	19	5.79	17	5.18
12 AWG	226	68.90	151	46.04	94	28.66	60	18.29	45	13.72	37	11.28	30	9.15	28	8.54
10 AWG	360	109.76	240	73.17	150	45.73	96	29.27	72	21.95	60	18.29	48	14.63	45	13.72
8 AWG	574	175.00	381	116.16	239	72.87	153	46.65	115	35.06	95	28.96	76	23.17	71	21.65

WIRING DIAGRAM

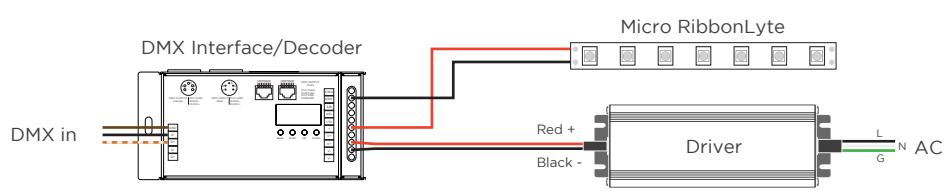
0-10V



MLV / ELV



DMX



WIRE COLORS PER RIBBONLYTE COLOR

- STATIC WHITE + STATIC COLOR MICRO
- Red Wire (+) Positive
- Black Wire (-) Negative