

### AS7 CHANNEL FIXTURE

Our AS7 Channel Fixture is a surface mounted linear fixture designed to work with the new Micro RibbonLyte 1.0, 3.0 & 4.5. AS7's ultra slim width of 0.39 in. (10 mm) can create clean and modern linear designs for retail stores, commercial buildings and residential interiors.

- Available for field assembly or factory assembly
- Beam Angle 110°
- Wattage: 1.0 W/ft (3.3 W/m), 3.0 W/ft (9.84 W/m) or 4.5 W/ft (14.76 W/m)
- Delivered Lumen Range from 1 lm/ft (3 lm/m) to 500 lm/ft (1638 lm/m)
- Assembled in USA

### HOUSING FINISHES



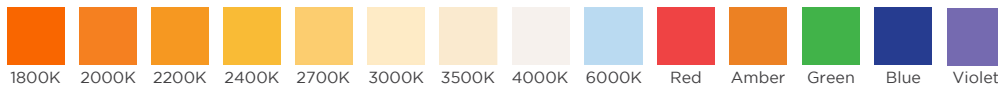
\*Additional fee applies

### AVAILABLE LENS FINISHES

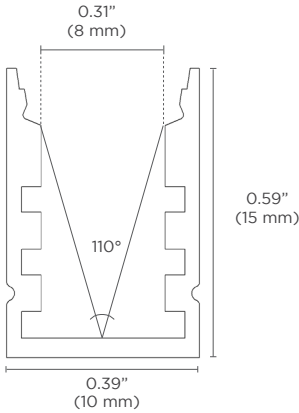
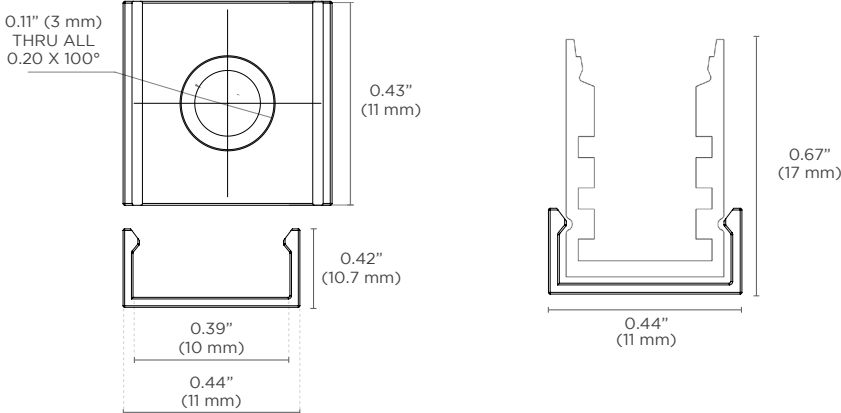


Milky Lens  
63% Light Transmission

### AVAILABLE COLORS & COLOR TEMPERATURES



### DIMENSIONS

| AS7 Channel  | Mounting Clip (Included Accessory)   |
|--|--|
|  <p>0.31" (8 mm)<br/>110°<br/>0.59" (15 mm)<br/>0.39" (10 mm)</p> <p><b>Width:</b> 0.39 in. (10 mm)<br/><b>Height:</b> 0.59 in. (15 mm)<br/><b>Internal Width:</b> 0.31 in (8 mm)</p>   |  <p>0.11" (3 mm) THRU ALL 0.20 X 100°<br/>0.43" (11 mm)<br/>0.42" (10.7 mm)<br/>0.39" (10 mm)<br/>0.44" (11 mm)<br/>0.67" (17 mm)<br/>0.44" (11 mm)</p> <p><b>Width:</b> 0.43 in. (11 mm)<br/><b>Height:</b> 0.42 in. (10.7 mm)<br/><b>Length:</b> 0.44 in (11 mm)</p> |
| <p><b>Note:</b></p> <ol style="list-style-type: none"> <li>1. <b>Magnetic mounting</b> option available (see page 2)</li> <li>2. <b>Exterior channel applications</b> should be securely attached to the mounting surface with appropriate screws and/or liquid nails. Acolyte strongly recommends field assembly for exterior applications. Use mounting clips for interior applications only.</li> </ol> |  |

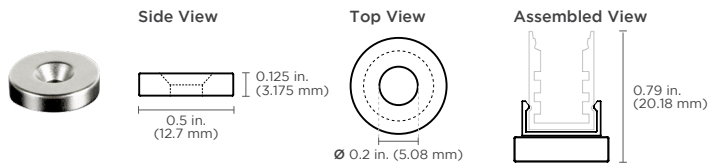


**SPECIFICATIONS**

|                                |  |
|--------------------------------|--|
| <b>Beam Angle</b>              | 110°   |
| <b>Lens Type</b>               | Milky Lens   |
| <b>Length</b>                  | Channel is sold by the foot and cut to your exact desired length. Required amount of mounting clips included.  |
| <b>Operating Voltage</b>       | 24V  |
| <b>Dimming</b>                 | MLV / 0-10 Volt / ELV / DALI / DMX   |
| <b>Operating Temperature</b>   | -40° F to 158° F (-40° C to 70° C)   |
| <b>Colors</b>                  | 1800K, 2000K, 2200K, 2400K, 2700K, 3000K, 3500K, 4000K, 6000K, Red, Amber, Green, Blue, Violet<br>(1800K, 2000K, 2200K only available in IP20)   |
| <b>CRI</b>                     | 90+ CRI (Static white only)  |
| <b>Lamp Life</b>               | L70 at 50,000 Hours  |
| <b>MacAdam Ellipses (SDCM)</b> | 2-Step Binning (For Static White LEDs only)  |
| <b>Certifications</b>          | UL Listed UL 2108 Issued: 2004/02/27 Ed: 1 Rev: 2014/02/24 Low Voltage Lighting Systems CSA C22.2#9.0 Issued: 1996/06/01 Ed: 1 (R2011) General Requirements for Luminaries; with Gen. Inst. 1: 1997, Gen Inst. 2: 1998. ROHS compliant |

**ACCESSORIES**

**Magnetic Mount** (Part #: CHMAG0.5)



**Features:**

- High-energy neodymium magnets come attached to mounting clips with countersink hex nuts
- Create easy-mount magnetic channels with minimal surface gaps; no tools or drilling necessary
- Magnets rated for 8 lbs. of pull force with static load

**Applications:**

- Industrial lighting retrofits for troffers and other metal fixtures
- Metal retail shelf lighting
- Temporary light fixture installations

ORDERING GUIDE

**STEP 1** Complete Channel Part Number

| CHANNEL                     | LENS           | HOUSING COLOR                     |            |
|-----------------------------|----------------|-----------------------------------|------------|
| CHAS7                       | M              |                                   |            |
| CHAS7 - AS7 Channel Fixture | M - Milky Lens | SV - Silver (default)             | WH - White |
|                             |                | BK - Black                        |            |
|                             |                | Consult factory for custom colors |            |

**STEP 2** Complete RibbonLyte Part Number

| CATEGORY        | CRI                              | RIBBON TYPE & IP RATING          |                                  |
|-----------------|----------------------------------|----------------------------------|----------------------------------|
| RB              |                                  |                                  |                                  |
| RB - RibbonLyte | 0 - Static Color, Color Changing | SWMC20 - Static White Micro IP20 | SCMC20 - Static Color Micro IP20 |
|                 | 90 - 90+ CRI Static White        | SWMC65 - Static White Micro IP65 | SCMC65 - Static Color Micro IP65 |

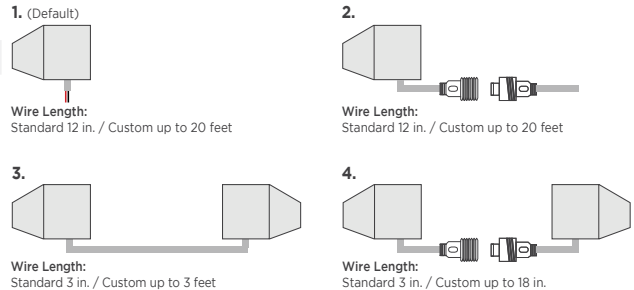
| WATTAGE  | COLOR      |
|--|------------|
| 1.0 - 1.0 W/ft (3.3 W/m - Static White, Static Color)  | 18 - 1800K |
| 3.0 - 3.0 W/ft (9.8 W/m - Static White, Static Color)  | 20 - 2000K |
| 4.5 - 4.5 W/ft (14.8 W/m - Static White, Static Color) | 22 - 2200K |
|  | 24 - 2400K |
|  | 27 - 2700K |
|  | 30 - 3000K |
|  | 35 - 3500K |
|  | 40 - 4000K |
|  | 60 - 6000K |

**NOTE:** To ensure waterproofing standards are met, IP65 RibbonLyte can NOT be cut in the field.

CONNECTION OPTIONS (See diagrams on the right)

- 1 - Back Feed Bare Wire Connection
- 2 - Back Feed with IP67 Male Coupler
- 3 - Soldered Daisy Chain
- 4 - Daisy Chain With IP67 Couplers

Custom Length (ft.)



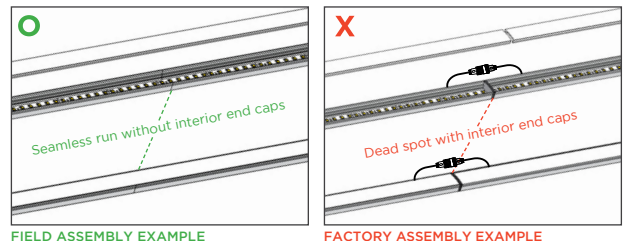
**STEP 3** Complete Assembly Option & Length

| ASSEMBLY OPTION     | LENGTH (Standard factory assembled length up to 6 ft 6.7 in. / 2 m) |
|---------------------|---|
| FI - Field Assembly |   |

\* Factory assembled runs exceeding 6 ft 6.7 in. (2 m) will be split into multiple daisy chained fixtures.  
 \* FA - Factory Assembly (not recommended for exterior applications)

**DO NOT BUTT END CAPS AGAINST EACH OTHER WHEN CREATING LONGER FIXTURES**

Acolyte STRONGLY SUGGESTS field assembly (without using interior end caps) for direct-view fixtures of more than 6 ft 6.7 in. (2 m) in length. Field assembly without interior end caps will eliminate gaps or dead spots that can be caused by butting interior end caps against each other.



**STEP 4** Add Accessories

| ACCESSORIES               |
|---------------------------|
| CHMAG0.5 - Magnetic Mount |

RIBBONLYTE SPECIFICATIONS & COMPATIBILITY

| Available Wattages                              | Cuttable Length  | LED Pitch                | Color Temperature                               | lm/W without Lens | Delivered Lumens with Milky Lens | Max Length    | Compatible with Channel |                          |
|---|------------------|--------------------------|---|-------------------|----------------------------------|---------------|-------------------------|--------------------------|
|   |                  |                          |   |                   |                                  |               | IP20                    | IP65                     |
| 1.0 Static White Micro & 1.0 Static Color Micro | 1.97 in. (50 mm) | 43 LEDs/ft (140 LEDs/m)  | 2400K   | 79                | 49.8 lm/ft (163.3 lm/m)          | 28 ft (8.5 m) | ✓                       | ✓                        |
|   |                  |                          | 2700K   | 90                | 56.7 m/ft (186 lm/m)             |               |                         |                          |
|   |                  |                          | 3000K   | 94                | 59.2 lm/ft (194 lm/m)            |               |                         |                          |
|   |                  |                          | 3500K   | 98                | 61.7 lm/ft (202.5 lm/m)          |               |                         |                          |
|   |                  |                          | 4000K   | 97                | 61.1 lm/ft (200.5 lm/m)          |               |                         |                          |
|   |                  |                          | 6000K   | 93                | 58.6 lm/ft (192.2 lm/m)          |               |                         |                          |
|   |                  |                          | Red   | 27                | 16.8 lm/ft (55.0 lm/m)           |               |                         |                          |
|   |                  |                          | Green   | 78                | 49.2 lm/ft (161.3 lm/m)          |               |                         |                          |
|   |                  |                          | Blue  | 17                | 10.6 lm/ft (34.9 lm/m)           |               |                         |                          |
|   |                  |                          | Amber   | 19                | 11.8 lm/ft (38.8 lm/m)           |               |                         |                          |
|   |                  |                          | Violet  | 1                 | 0.3 lm/ft (1.0 lm/m)             |               |                         |                          |
|   |                  |                          | 3.0 Static White Micro & 3.0 Static Color Micro | 1.97 in. (50 mm)  | 43 LEDs/ft (140 LEDs/m)          |               |                         |                          |
| 2700K   | 90               | 170.1 lm/ft (557.9 lm/m) |   |                   |                                  |               |                         |                          |
| 3000K   | 94               | 177.7 lm/ft (582.7 lm/m) |   |                   |                                  |               |                         |                          |
| 3500K   | 98               | 185.2 lm/ft (607.5 lm/m) |   |                   |                                  |               |                         |                          |
| 4000K   | 97               | 183.3 lm/ft (601.3 lm/m) |   |                   |                                  |               |                         |                          |
| 6000K   | 93               | 175.8 lm/ft (576.5 lm/m) |   |                   |                                  |               |                         |                          |
| Red   | 27               | 50.3 lm/ft (164.9 lm/m)  |   |                   |                                  |               |                         |                          |
| Green   | 78               | 147.5 lm/ft (483.9 lm/m) |   |                   |                                  |               |                         |                          |
| Blue  | 17               | 31.9 lm/ft (104.6 lm/m)  |   |                   |                                  |               |                         |                          |
| Amber   | 19               | 35.5 lm/ft (116.4 lm/m)  |   |                   |                                  |               |                         |                          |
| Violet  | 1                | 0.9 lm/ft (2.9529lm/m)   |   |                   |                                  |               |                         |                          |
| 4.5 Static White Micro & 4.5 Static Color Micro | 1.97 in. (50 mm) | 43 LEDs/ft (140 LEDs/m)  |   |                   |                                  | 2400K         | 80                      | 223.5 lm/ft (733.2 lm/m) |
|   |                  |                          | 2700K   | 88                | 247.8 lm/ft (812.7 lm/m)         |               |                         |                          |
|   |                  |                          | 3000K   | 93                | 259.8 lm/ft (852.2 lm/m)         |               |                         |                          |
|   |                  |                          | 3500K   | 87                | 244.7 lm/ft (802.6 lm/m)         |               |                         |                          |
|   |                  |                          | 4000K   | 97                | 268.2 lm/ft (879.7 lm/m)         |               |                         |                          |
|   |                  |                          | 6000K   | 94                | 263.1 lm/ft (862.9 lm/m)         |               |                         |                          |
|   |                  |                          | Red   | 26                | 73.5 lm/ft ( 241.1 lm/m)         |               |                         |                          |
|   |                  |                          | Green   | 83                | 243.8 lm/ft ( 799.9 lm/m)        |               |                         |                          |
|   |                  |                          | Blue  | 17                | 52.8 lm/ft ( 173.2 lm/m)         |               |                         |                          |
|   |                  |                          | Amber   | 17                | 51.7 lm/ft ( 169.6 lm/m)         |               |                         |                          |
|   |                  |                          | Violet  | 1                 | 1.4 lm/ft ( 4.5 lm/m)            |               |                         |                          |

DIODE VISIBILITY CHART (Data below applies to installations with Milky lens only)

|   |                             |  |                               |
|---|-----------------------------|--|-------------------------------|
|  | <b>No Visible Diode = N</b> |  | <b>With Visible Diode = Y</b> |
| <b>Static White &amp; Static Color Micro RibbonLyte</b>                             |                             |  |                               |
| <b>1.0</b>  | <b>3.0</b>                  | <b>4.5</b>   |                               |
| IP20<br>IP65  | IP20<br>IP65                | IP20<br>IP65   |                               |
| <b>N</b>  | <b>N</b>                    | <b>N</b>   |                               |

AVAILABLE DRIVERS / CONTROLLERS AND DIMMING OPTIONS / WIRE GAUGE CHART

NON-DIMMING ELECTRONIC DRIVERS

ELV & MLV DRIVERS



**30W, 60W, 96W**  
Non-Dimming Electronic  
Class 2 Drivers

- Part No.:
- DRVW2430 (30 Watt)
  - DRVW2460 (60 Watt)
  - DRVW2496 (96 Watt)

Output Voltage: 24 V  
Voltage Range: 120-277 VAC  
IP Rating: Dry or Damp  
UL Listed



**240W, 320W**  
Non-Dimming  
Electronic Drivers

- Part No.:
- DRVW24240 (240 Watt)
  - DRVW24320 (320 Watt)

Output Voltage: 24 V  
Voltage Range: 90-305 VAC  
IP Rating: Dry or Damp  
UL Recognized



**60W, 96W, 150W, 300W**  
ELV/MLV Dimmable Drivers

- Part No.:
- DRVW2460ELVMLV (60 Watt)
  - DRVW2496ELVMLV (96 Watt)
  - DRVW24150ELVMLV (150 Watt)
  - DRVW24300ELVMLV (300 Watt)

Line Voltage Dimmable Drivers  
Output Voltage: 24 V  
Voltage Range: 100-277 VAC  
IP Rating: IP67  
Dimmable  
UL, CE, and CSA Listed

0-10V DRIVERS AND DIMMERS



**0-10V Dimmable Waterproof Drivers**

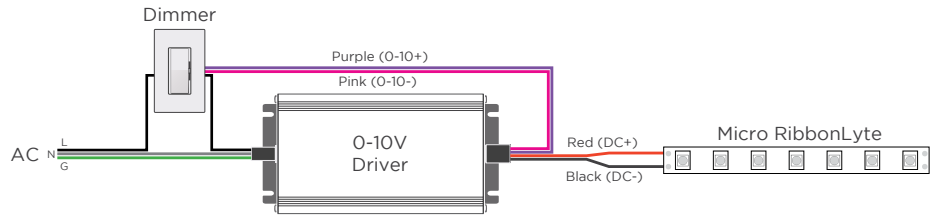
**96W** Part No.: DRVW249610P  
**288W** Part No.: DRVW2428810P  
Output Voltage: 24 V (+/- 0.5V)  
Voltage Range: 100-277 VAC  
Environmental Rating: UL Wet Location  
UL Listed

DRIVER AND RIBBONLYTE AT FULL LOAD

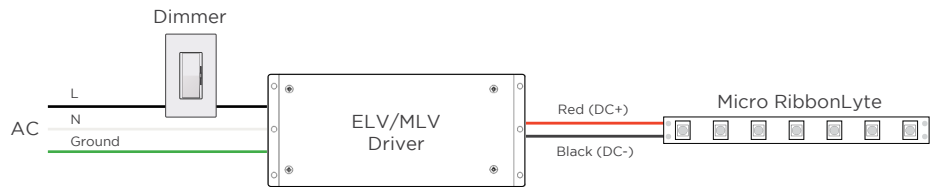
| Wattages                      | 30   |        | 60   |        | 96   |        | 150  |        | 200  |        | 240  |        | 300  |        | 320  |        |
|-------------------------------|------|--------|------|--------|------|--------|------|--------|------|--------|------|--------|------|--------|------|--------|
|                               | Feet | Meters | Feet | Meters | Feet | Meters | Feet | Meters | Feet | Meters | Feet | Meters | Feet | Meters | Feet | Meters |
| 24 AWG / 0.25 mm <sup>2</sup> | 14   | 4.27   | 9    | 2.74   | 5.5  | 1.68   | 3.75 | 1.14   | 2.75 | 0.84   | 2.25 | 0.69   | 1.75 | 0.53   | 1.75 | 0.53   |
| 22 AWG / 0.34 mm <sup>2</sup> | 22   | 6.71   | 14   | 4.27   | 9    | 2.74   | 5.75 | 1.75   | 4.5  | 1.37   | 3.5  | 1.07   | 2.75 | 0.84   | 2.75 | 0.84   |
| 20 AWG / 0.5 mm <sup>2</sup>  | 35   | 10.67  | 23   | 7.01   | 14   | 4.27   | 9    | 2.74   | 7    | 2.13   | 5.75 | 1.75   | 4.5  | 1.37   | 4.25 | 1.30   |
| 18 AWG / 0.75 mm <sup>2</sup> | 56   | 17.07  | 37   | 11.28  | 23   | 7.01   | 15   | 4.57   | 11   | 3.35   | 9    | 2.74   | 7.5  | 2.29   | 7    | 2.13   |
| 16 AWG / 1.5 mm <sup>2</sup>  | 90   | 27.44  | 60   | 18.29  | 37   | 11.28  | 24   | 7.32   | 18   | 5.49   | 15   | 4.57   | 12   | 3.66   | 11   | 3.35   |
| 14 AWG / 2.5 mm <sup>2</sup>  | 142  | 43.29  | 95   | 28.96  | 59   | 17.99  | 38   | 11.59  | 28   | 8.54   | 23   | 7.01   | 19   | 5.79   | 17   | 5.18   |
| 12 AWG / 4 mm <sup>2</sup>    | 226  | 68.90  | 151  | 46.04  | 94   | 28.66  | 60   | 18.29  | 45   | 13.72  | 37   | 11.28  | 30   | 9.15   | 28   | 8.54   |
| 10 AWG / 6 mm <sup>2</sup>    | 360  | 109.76 | 240  | 73.17  | 150  | 45.73  | 96   | 29.27  | 72   | 21.95  | 60   | 18.29  | 48   | 14.63  | 45   | 13.72  |
| 8 AWG / 10 mm <sup>2</sup>    | 574  | 175.00 | 381  | 116.16 | 239  | 72.87  | 153  | 46.65  | 115  | 35.06  | 95   | 28.96  | 76   | 23.17  | 71   | 21.65  |

WIRING DIAGRAM

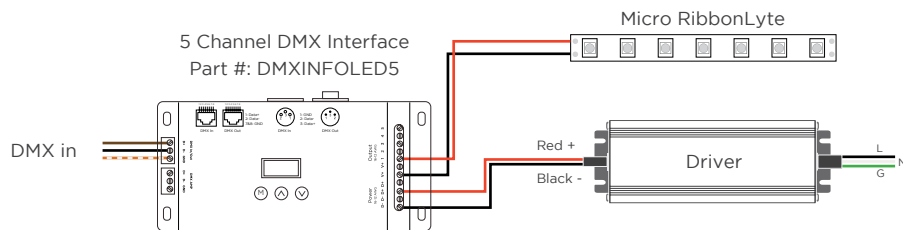
0-10V



MLV / ELV



DMX



WIRE COLORS PER RIBBONLYTE COLOR

STATIC WHITE + STATIC COLOR MICRO  
Red Wire (+) Positive  
Black Wire (-) Negative

**GLOBAL HQ**

320 Murray Hill Pkwy  
East Rutherford, NJ 07073  
T: (+1) 212 629 6830  
E: Sales-US@GENLEDBrands.com

[linkedin.com/company/genledacolyte](https://www.linkedin.com/company/genledacolyte)

**EUROPEAN HQ**

De Corridor 16K  
36212B Breukelen  
Netherlands  
T: (+31) 346 235 000  
E: SalesEurope@GENLEDBrands.com

[facebook.com/acolyteled](https://www.facebook.com/acolyteled)

**MEINA HQ**

PO Box 371378, #823, Building 4EA  
Dubai Airport Free Zone, Dubai, UAE  
T: (+971) 4 701 7901  
E: SalesMEINA@genledbrands.com

[instagram.com/acolyte\\_led](https://www.instagram.com/acolyte_led)

**ASIA-PACIFIC HQ**

Room 402, Building D  
ShenShi Tongchuang Science and Technology Park  
No. 16 Hongyin Road  
Xingqiang Community, Xihu Street  
Guangming District, Shenzhen, China 518107  
Sales: (+86) 139 1836 3905  
Office: (+86) 755 8529 0710  
E: Sales-Pacific@GENLEDBrands.com