

### 4 CHANNEL WATERPROOF DMX INTERFACE

The 4 Channel Waterproof DMX Interface can be used with our DMX controllers to seamlessly operate our color changing RibbonLyte and programmable fixtures in wet and damp locations.

- LCD display for digital programming
- 12 - 36 V input
- 4 Channels
- 5A max per channel output / 20A max
- Rated IP66 for outdoor use



#### Applications:

- |               |               |             |
|---------------|---------------|-------------|
| Commercial    | Hospitality   | Residential |
| Entertainment | Museums       | Retail      |
| Healthcare    | Public Spaces |             |



#### DIMENSIONS



**Width:** 2.88 in (73 mm)  
**Length:** 7.09 in (180 mm)  
**Depth:** 1.53 in (39 mm)

#### ORDERING GUIDE

STANDARD

Category

**DMXINFWLCD4**

DMXINFWLCD4 - 4 Channel Waterproof DMX Interface

PROGRAMMING/FUNCTIONS/WIRING DIAGRAM

PROGRAMMING GUIDE



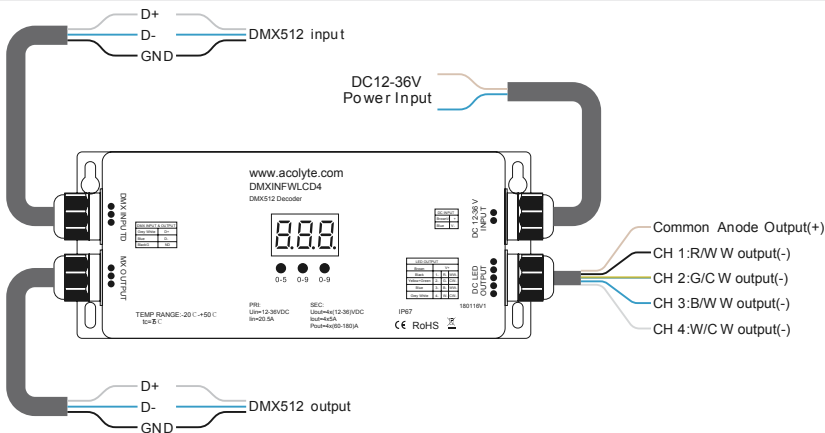
Choose the number of DMX Channels, 3 or 4

Choose 3 for products like RGB or VWA, or 4 for RGBW or RGBA. Hold the 2nd and 3rd buttons for 2 seconds until display flashes. Press the 1st button to choose 1, 2, 3, or 4 channels. Press and hold any button for 2 seconds to confirm your selection. The factory setting is 4 channels.

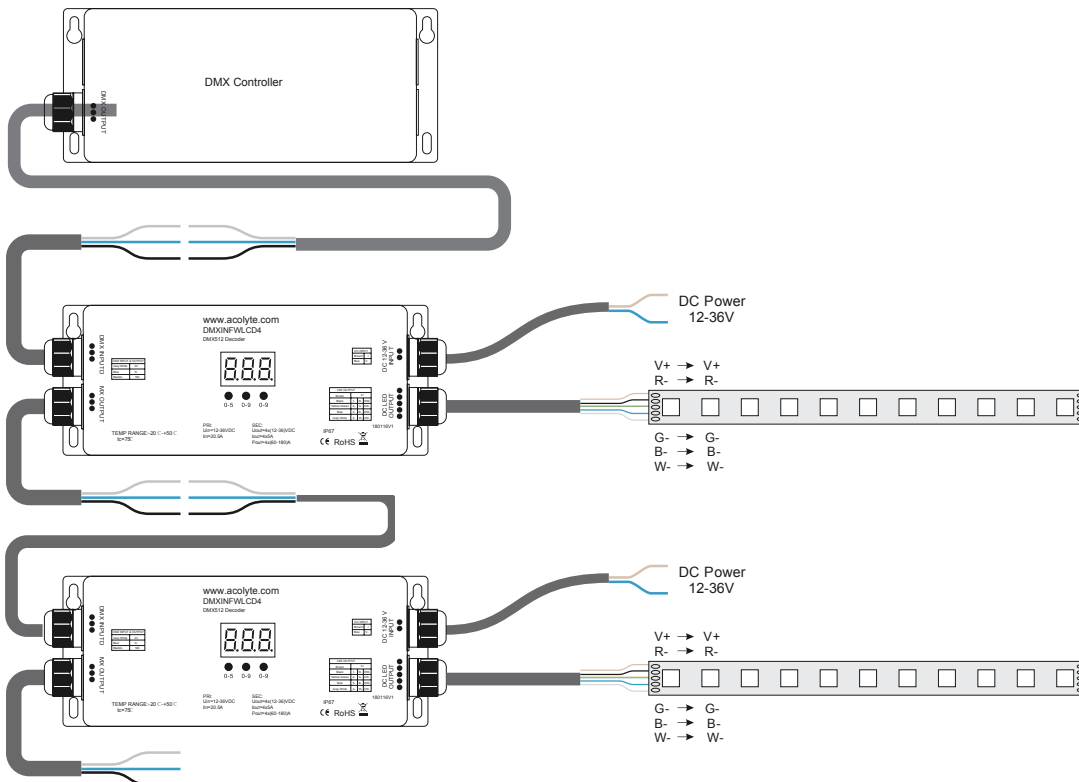
Set the DMX Address

Press and hold the 1st button for 2 seconds until display flashes. Press the 1st button to set the first digit of your DMX Address, the 2nd button for the second digit, and the 3rd button for the 3rd digit. Press and hold any button for 2 seconds to confirm your selection.

FUNCTIONS



WIRING DIAGRAM



Acolyte does not warrant or represent that the information is free from errors or omission. The information may change without notice and Acolyte is not in any way liable for the accuracy of any information printed and stored or in any way interpreted or used.

REV.10JUL2024