

**HIGH VOLTAGE 3 CHANNEL WATERPROOF DMX INTERFACE**

The Acolyte High Voltage 3 Channel Waterproof DMX Interface is used with our DMX controllers to seamlessly operate our high-voltage color changing RibbonLyte and fixtures.

- Standard DMX512 compliant control interface enables user to set DMX address freely
- LCD display for digital programming
- Safe and reliable full isolation design
- Output for high voltage DC100-240V 3 Channel LED Strip
- With both Master/Decoder functions switchable
- High temperature resistant address digital display
- IP67 protection, rated for outdoor use



**Applications:**

- |               |               |             |
|---------------|---------------|-------------|
| Commercial    | Hospitality   | Residential |
| Entertainment | Museums       | Retail      |
| Healthcare    | Public Spaces |             |



**Dimensions**



**Width:** 2.9 in (73.6 mm)  
**Length:** 5.93 in (150.5 mm)  
**Depth:** 1.38 in (35 mm)

**ORDERING GUIDE**

STANDARD

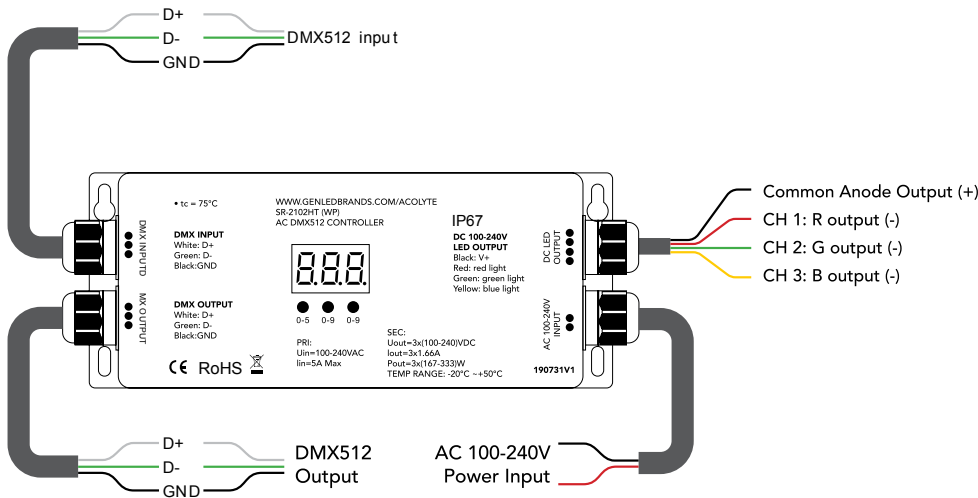
Category

**DMXINF120RGB**

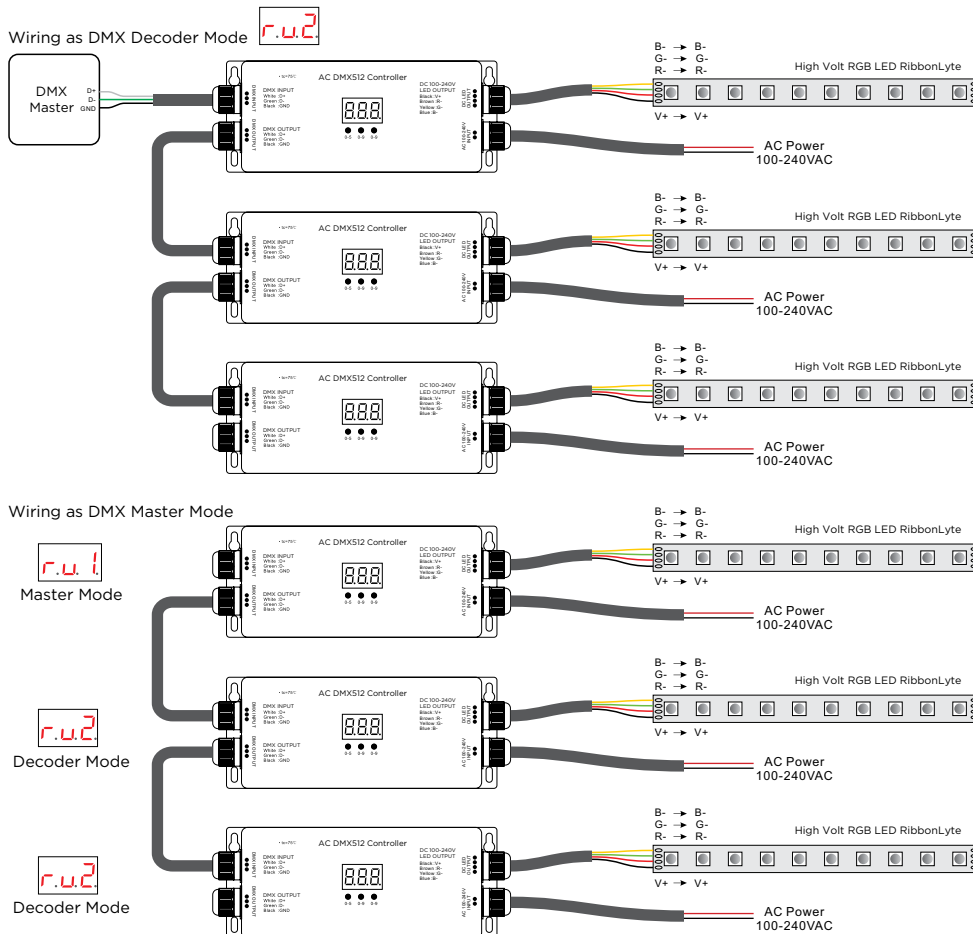
DMXINF120RGB - 100-240 V 3 Channel Waterproof DMX Interface

FUNCTIONS / WIRING DIAGRAM / OPERATION

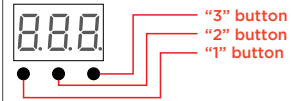
FUNCTIONS



WIRING DIAGRAM



OPERATION



A. Choose mode

Hold button 1 & 2 together until **ru1** digital display flashes, click button 3 to choose 1 or 2.



After choose ru1 or ru2, then hold any one button to confirm the setting.

B. Set DMX Decoder Address

If the controller at DMX Decoder mode **ru2**, you need to set the DMX address by holding any one of the buttons until the display flashes, then click the buttons to set address, then hold any one button to confirm the setting.

C. Set DMX Channels

After setting the controller at DMX Decoder mode **ru2**, you can set the DMX channels by holding button 2 & 3 together until display flashes, then click button 1 to choose 1 or 3, then hold any one button to confirm the setting.

**3CH** means the decoder occupies 3 dmx address, usually for RGB LED strip.

**1CH** means the decoder occupies 1 dmx address, usually for mono LED strip.

**Note: the factory defaults setting is DMX Decoder mode ru2, 3CH**

Instruction for Master Mode **ru1**

- All the connected DMX decoders should be address 001 only.
  - After set the controller to be DMX Master mode, you can adjust its programs, brightness, speed.
  - Keep on clicking button 1 you can get **P.S.b.c.**
- P** means program, keep on clicking button 3, to play 10 running programs.  
**S** means speed, keep on clicking button 3, to adjust the speed of running programs.  
 From **5-1** to **5-9**, speed turns slower and slower.

**b** means brightness, keep on clicking button 3, to get 8 levels of brightness.

From **b-1** to **b-8**, brightness turns more and more bright.

**c** means color, keep on clicking button 3, to get total 9 static colors.

PROGRAMS

P-XX MEANS RGB COLOR CHANGING MODES

- 00 - RGB off
- 01 - Static red
- 02 - Static green
- 03 - Static blue
- 04 - Static yellow (50% red + 50% green)
- 05 - Static orange (75% red + 25% green)
- 06 - Static cyan (50% green + 50% blue)
- 07 - Static purple (50% blue + 50% red)
- 08 - Static white (100% red + 100% green + 100% blue)
- 09 - Any two colors of RGB mix fade, changing diagram as follow:

