



Date _____ Project _____

Notes _____

VARIABLE WHITE LED DIMMING MODULE

Our Variable White LED Dimming Module enables smooth shifts in color temperature to create stunning effects without any light distortion. This high-efficiency module accepts 0-10V control signals and provides flicker-free dimming and tuning for the full range of our Variable White products.

- Wide range DC input 8-48VDC
- Flicker-free 0-100% dimming
- High efficiency up to 97%
- High-precision dimming ratio: > 1:1000
- Complies with EN55015 and FCC Part 15
- Compact size

Applications:

Commercial	Hospitality	Residential
Entertainment	Museums	Retail
Healthcare	Public Spaces	



SPECIFICATIONS

Input Voltage Range	8-48 V
Input Control	2
Channel Output	2
Output Voltage Range*	Vin: 0.2-0.5 V
Max. Output Current	5A max. at full load
Max. Output Power	240 W
Output Frequency	1 kHz PWM
Dimming Ratio	1:1000
Power Efficiency (Typ)	97%
Input Current	5.1A (max. per channel)
Control Voltage	0/1-10 VDC Dimmer Note: The External control source to this Variable White LED Dimming Module's purple and grey control wires should have the capability to sink a minimum of 10mA for multiple dimming modules connected together. A minimum sink current of 2mA is recommended for a single module.
Over Temperature Protection	Auto recovery upon operating temperature < 221° F (105° C)
Ambient Temperature	4° - 140° F(-20° - 60° C) @ full load
Storage Temperature	-40° - 185° F(-40° - 85° C) @ full load
Dimensions (L x W x H)	3.86 in. x 1.73 in. x 0.57 in. (98 mm x 44 mm x 14.5 mm)
Case Material	Polycarbonate

* Variable White LED Dimming Module requires an external CV LED driver, connected to the DC input, and should not exceed the above input voltage range.

ORDERING GUIDE

Category

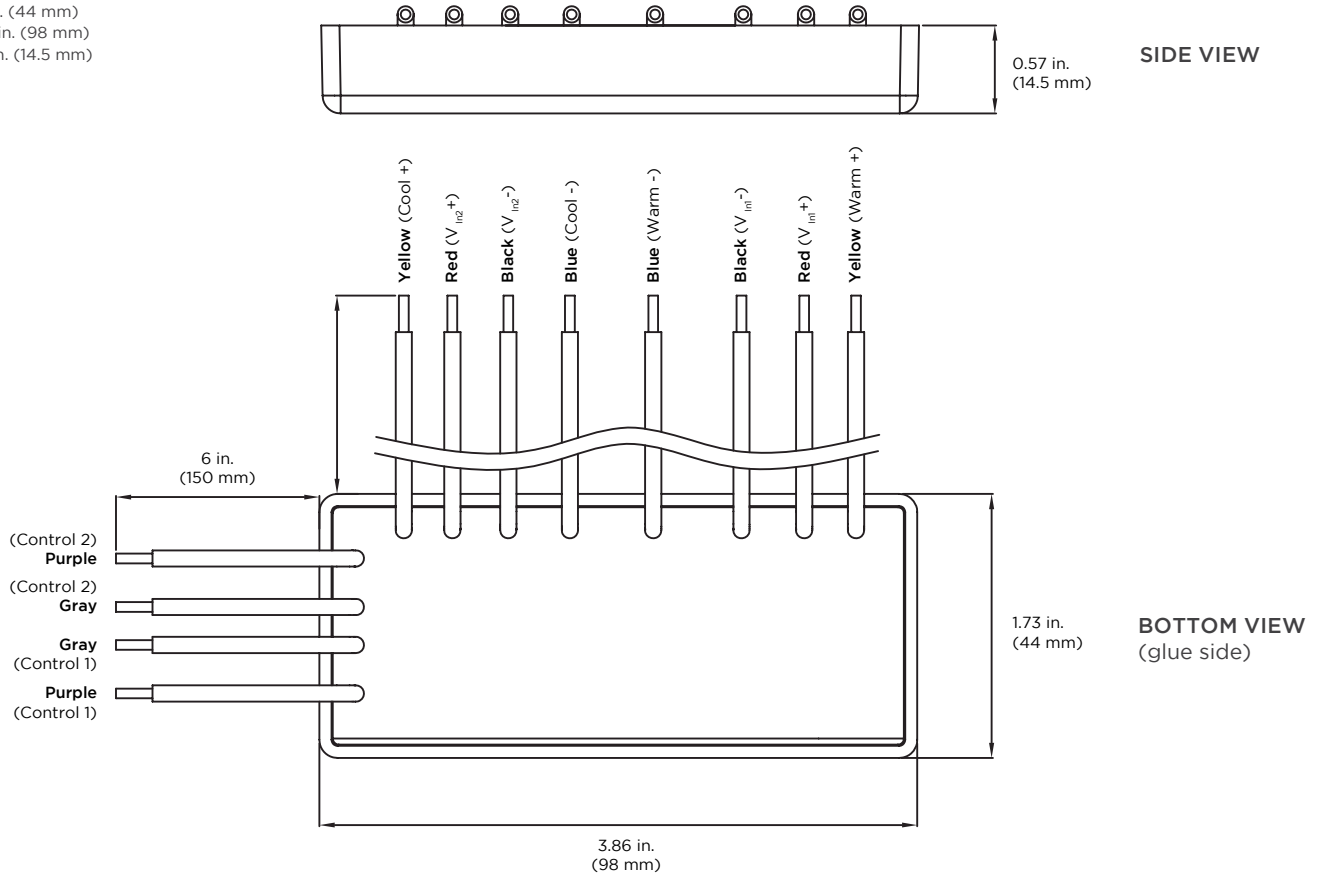
VWDIMMOD

VWDIMMOD - Variable White LED Dimming Module

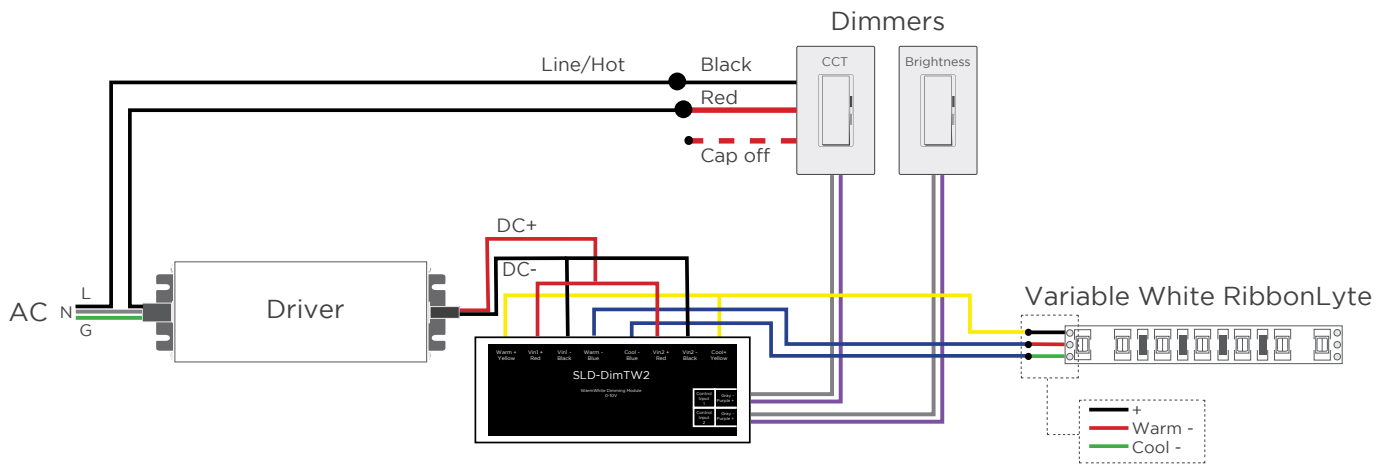
Acolyte does not warrant or represent that the information is free from errors or omission. The information may change without notice and Acolyte is not in any way liable for the accuracy of any information printed and stored or in any way interpreted or used.

DIMENSIONS / WIRING DIAGRAMS

Width: 1.73 in. (44 mm)
Length: 3.86 in. (98 mm)
Depth: 0.57 in. (14.5 mm)



WIRING DIAGRAM



* 0-100% flicker-free performance not guaranteed when used with non-Acolyte Drivers