



Date _____ Project _____

Notes _____

WARM DIM LED DIMMING MODULE

Our Warm Dim LED Dimming Module is designed to allow LEDs to mimic the warming transitions of incandescent lamps. Easy to install and simple to use, the high-efficiency Warm Dim Dimming Module facilitates smooth, flicker-free dimming in all types of architectural lighting applications.

- Wide range DC input 8-48VDC
- Flicker-free 0-100% dimming
- High efficiency up to 97%
- High-precision dimming ratio: > 1:1000
- Complies with EN55015 and FCC Part 15
- Compact size



Applications:

Commercial Entertainment Healthcare	Hospitality Museums Public Spaces	Residential Retail
---	---	-----------------------



SPECIFICATIONS

Input Voltage Range	8-48 V
Input Control	1
Channel Output	2
Output Voltage Range*	Vin: 0.2-0.5 V
Max. Output Current	5A max. at full load
Max. Output Power	240 W
Output Frequency	1 kHz PWM
Dimming Ratio	1:1000
Power Efficiency (Typ)	97%
Input Current	5.1A (max. per channel)
Control Voltage	0/1-10 VDC Dimmer Note: The External control source to this Warm Dim LED Dimming Module's purple and grey control wires should have the capability to sink a minimum of 10mA for multiple dimming modules connected together. A minimum sink current of 2mA is recommended for a single module.
Over Temperature Protection	Auto recovery upon operating temperature < 221° F (105° C)
Ambient Temperature	4° - 140° F(-20° - 60° C) @ full load
Storage Temperature	-40° - 185° F(-40° - 85° C) @ full load
Dimensions (L x W x H)	3.86 in. x 1.73 in. x 0.57 in. (98 mm x 44 mm x 14.5 mm)
Case Material	Polycarbonate

* Warm Dim LED Dimming Module requires an external CV LED driver, connected to the DC input, and should not exceed the above input voltage range.

ORDERING GUIDE

Category

RBWDMODULE

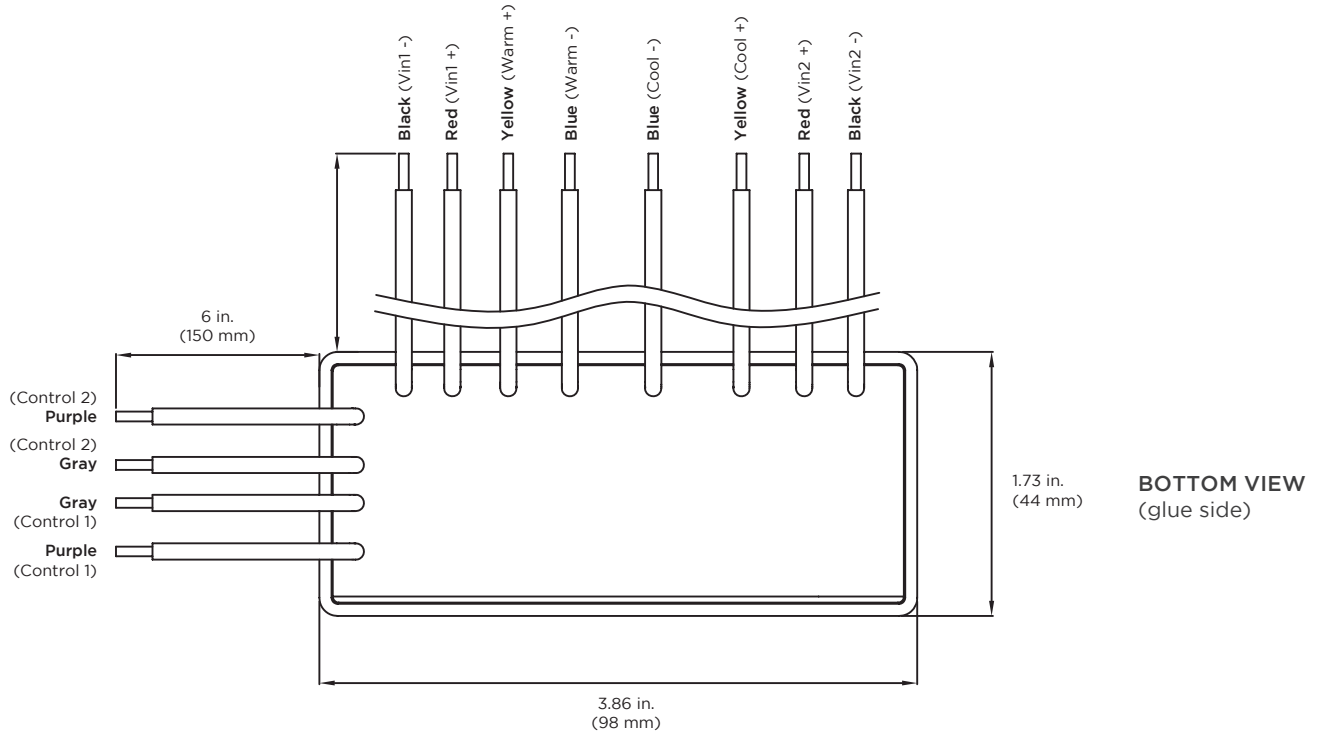
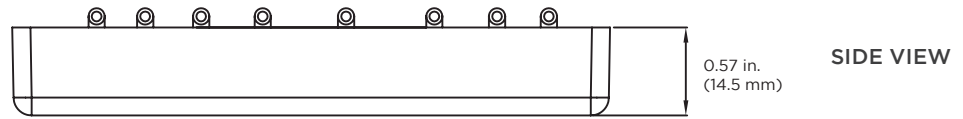
RBWDMODULE - Warm Dim LED Dimming Module

Acolyte does not warrant or represent that the information is free from errors or omission. The information may change without notice and Acolyte is not in any way liable for the accuracy of any information printed and stored or in any way interpreted or used.

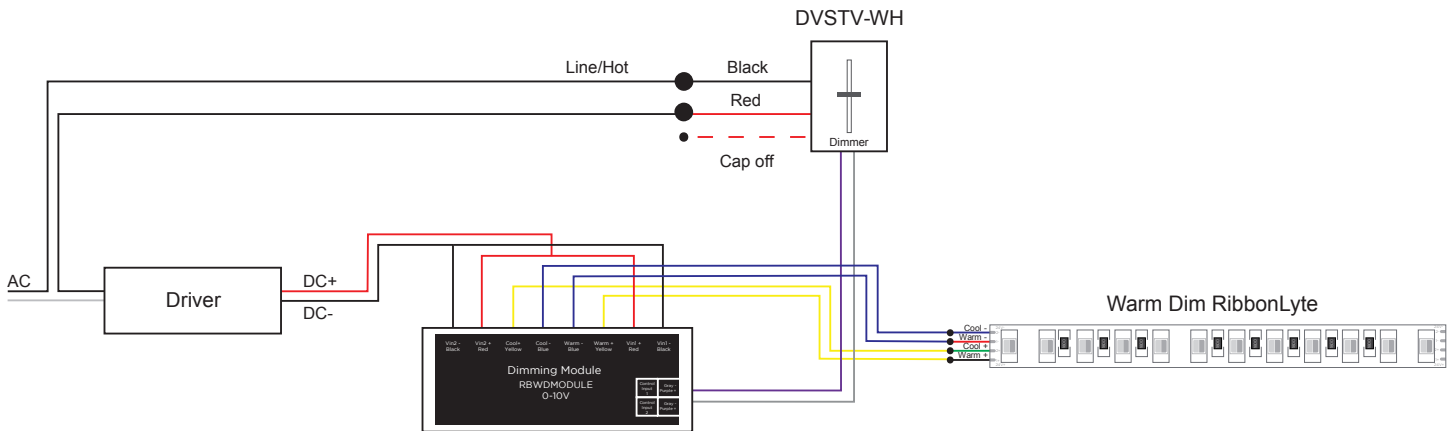
REV.20OCT2021

DIMENSIONS / WIRING DIAGRAMS

Width: 1.73 in. (44 mm)
Length: 3.86 in. (98 mm)
Depth: 0.57 in. (14.5 mm)



WIRING DIAGRAM



* 0-100% flicker-free performance not guaranteed when used with non-GENLED Acolyte Drivers