



Date _____ Project _____

Notes _____

0-10V DIMMABLE 288 WATT WATERPROOF DRIVER

This constant voltage 288W Class 2 driver is UL Listed and offers 3 separate 96W Class 2 outputs. It is UL rated for wet, damp, and dry locations and has an enclosure with isolated wire connections and a NEMA 4x rating. With input voltage ranging from 100-277 VAC, this driver is suited for commercial, industrial and residential applications. The 0-10V dimming uses PWM output and a dimming range from 0.1-100% brightness.



- Constant voltage
- 0-10V dimming
- Dimming range from 100% to 0.1%
- UL wet location and NEMA 4x rated
- UL 8750 & UL 1310 approved
- 5-year warranty



SPECIFICATIONS

Driver Type	Constant Voltage	Dimming Range	0.1-100%
Input Voltage	100-277 VAC	Dimming Output Type	PWM
Input Frequency	47-63HZ	Ambient Operating Temperature	-40 to 140°F (-40 to 60°C)
Input Current	3.6A @ 100VAC	Storage Temperature	-40 to 176°F (-40 to 80°C)
THD	< 18%	Max Relative Humidity	90% non-condensing
Power Factor (Typ) @ Full Load	0.98 @ 120VAC, 0.97 @ 277VAC	Surge Protection	I/P-O/P:1.88KVAC
Output Power	288W (3 x 96W Class 2 Outputs)	Overvoltage Protection	Yes
Output Voltage	24V (+/- 0.5V)	Short Circuit Protection	Yes
Output Current	3 x 4A	Over Temperature Protection	Yes
Efficiency @ Full Load	85% @ 120V, 90% @ 277VAC	UL Standards	UL 8750 + UL 1310
Dimming Control	0-10V	Environmental Rating	UL wet location and NEMA 4x rated
		EMI Compliance	FCC 47 CFR Part 15 Subpart B

ORDERING GUIDE

Category	Voltage	Wattage	Dimming Option
DRVW	24	288	10P
DRVW - Waterproof Driver	24 - 24 V DC Output	288 - 288W (3 x 96W)	10P - 0-10V PWM Dimming

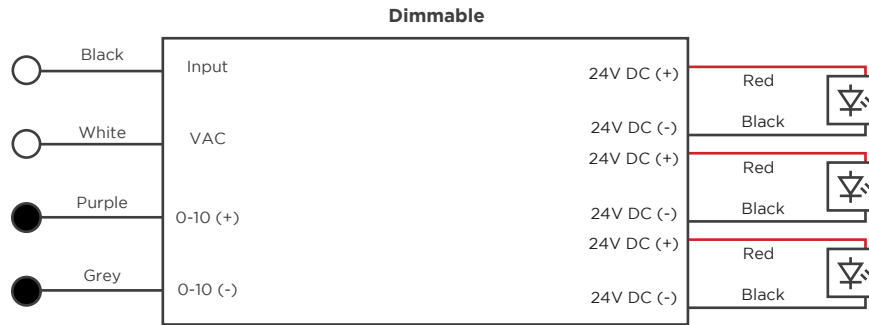
MAXIMUM DISTANCE FROM DRIVER TO LED AT FULL LOAD

96 + 100 W

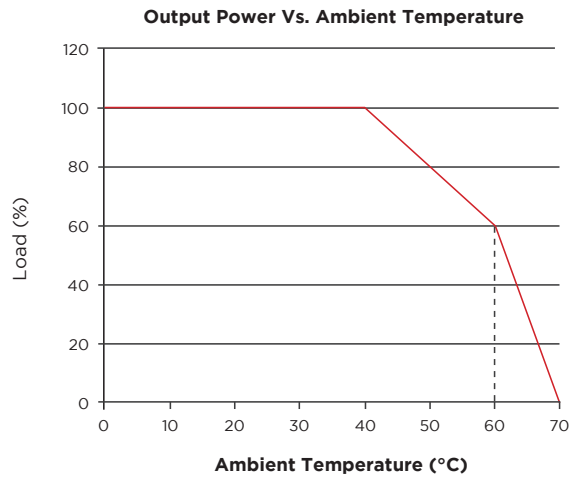
Wire Gauge	Feet	Meters
24 AWG	5.5	1.68
22 AWG	9	2.74
20 AWG	14	4.27
18 AWG	23	7.01
16 AWG	37	11.28
14 AWG	59	17.99
12 AWG	94	28.66
10 AWG	150	45.73
8 AWG	239	72.87

GENLED Acolyte[®] does not warrant or represent that the information is free from errors or omission. The information may change without notice and GENLED Acolyte[®] is not in any way liable for the accuracy of any information printed and stored or in any way interpreted or used.

WIRING DIAGRAM

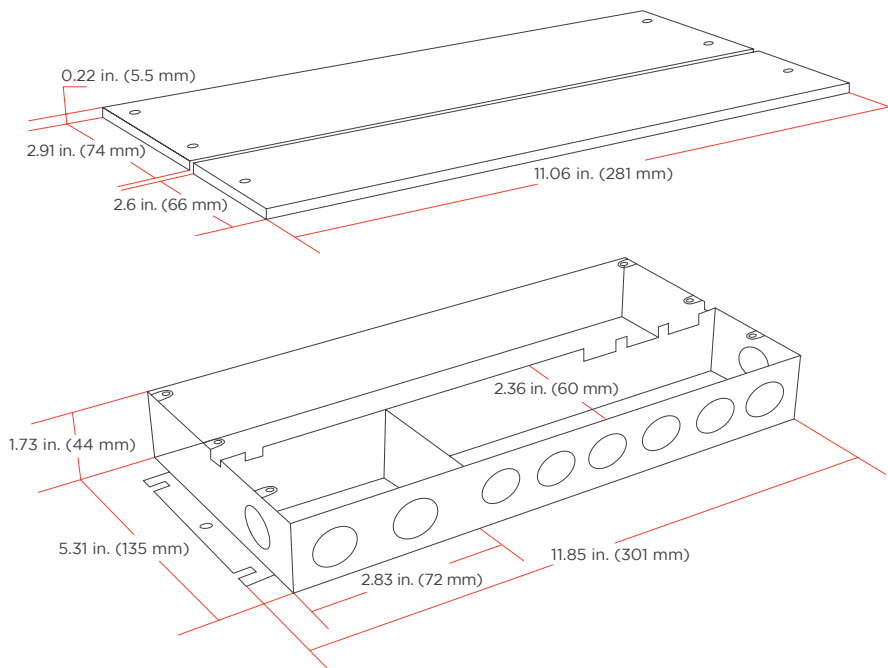


DERATING CURVE



DIMENSIONS

L x W x H
11.85 x 5.51 x 1.77 in.
301 x 140 x 45 mm



REV.28DEC2020