

EM BACKUP DRIVER

The EM Backup Driver allows LED lighting fixtures to be used for normal and emergency operation situations. In the event of a power failure, it switches to emergency mode to power a fixture for a minimum of 90 minutes. This 120-277V driver is UL Listed for field or factory installation and includes a test switch with an integrated charge indicator. The EM Backup Driver meets California Energy Commission (CEC) Title 20 efficiency requirements and is certified in the CA Title 20 Appliance Efficiency Database.

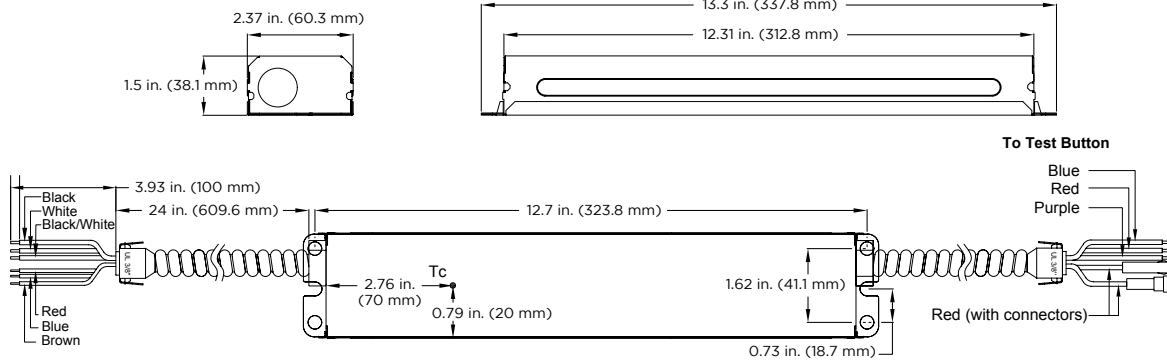


- High-efficiency LiFePO4 Battery
- UL Listed for field and factory installation
- Includes test switch with integrated charge indicator
- Certified in CA Title 20 Appliance Efficiency Database
- Over-voltage, short circuit and over-current protection
- 5-year warranty



SPECIFICATIONS

EM BACKUP DRIVER Part Number: EMBACKUPCP14

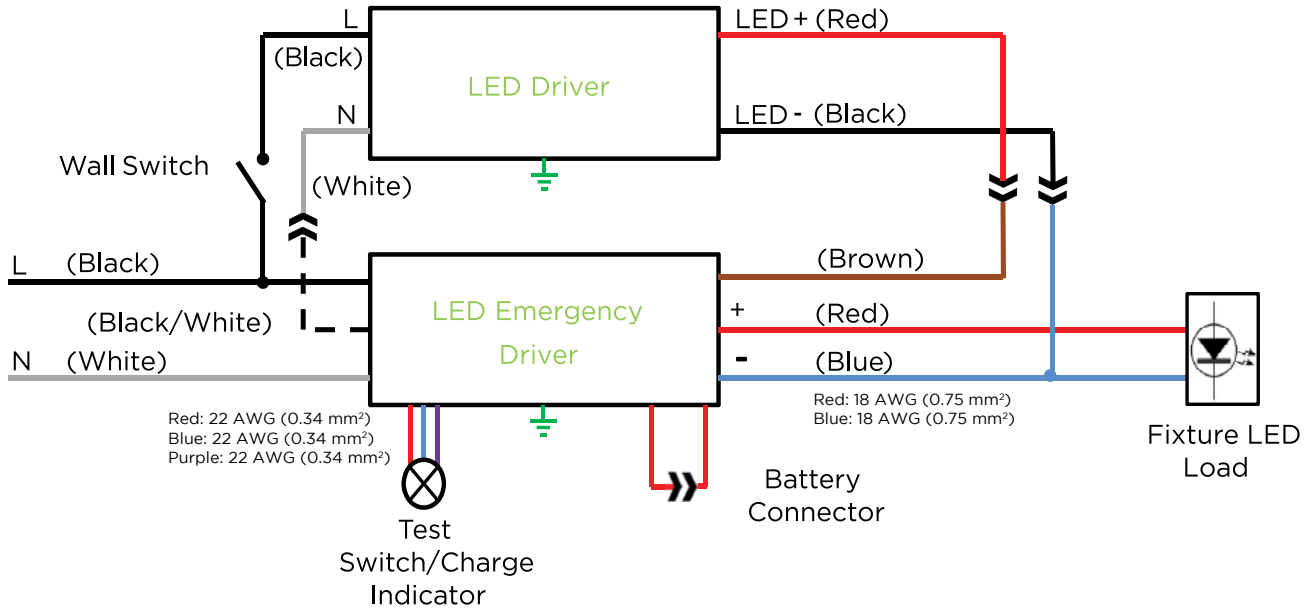


Length	13.3 in. (337.8 mm)
Width	2.37 in. (60.3 mm)
Height	1.5 in. (38.1 mm)
Mounting	12.7 in. (323.8 mm)
Input Voltage	120 - 277 VAC ± 10%
Output Voltage	20 - 60 VDC* Class 2
Output Current	700mA @ 20Vdc / 241mA @ 58Vdc
Output Power	14W (constant)
Emergency Operation	90 minutes
Recharge Time	24 hours
Frequency Range	50 / 60 Hz
Power Factor	> 0.90
Temperature Range	32° - 131° F (0° - 55° C)
Protection	Over Voltage / Short Circuit / Over Current
IP Rating	Dry or Damp
Safety Standards	CA T20 Appliance Efficiency Database / ROHS / UL Listed for field and factory installation / FCC, 47CFR Part 15

* The output power is valid for output voltage less than or equal to 58V, above that power will drop.

Acolyte does not warrant or represent that the information is free from errors or omission. The information may change without notice and Acolyte is not in any way liable for the accuracy of any information printed and stored or in any way interpreted or used.

WIRING DIAGRAM



WIRING INFO

Input	24", Black (L), White (N), 18 AWG (0.75 mm ²)
Output	24", Red (+), Blue (-), 18 AWG (0.75 mm ²)
LED Driver (N)	24", Black/White, 18 AWG (0.75 mm ²)
LED Driver (+)	24", Brown, 20 AWG (0.5 mm ²)
Battery Connection	24", Red, Black, 18 AWG (0.75 mm ²)
Test Switch Connection	24", Red, Blue, Purple, 22 AWG (0.34 mm ²)

DRIVER REMOTE DISTANCES

Wattages	14 W	
	Feet	Meters
24 AWG / 0.20 mm ²	29.58	9.019
22 AWG / 0.33 mm ²	50.06	15.263
20 AWG / 0.52 mm ²	76.56	23.343
18 AWG / 0.82 mm ²	123.96	37.793
16 AWG / 1.31 mm ²	200.24	61.050
14 AWG / 2.08 mm ²	317.46	96.787
12 AWG / 3.31 mm ²	500.61	152.625
10 AWG / 5.26 mm ²	788.84	240.500
8 AWG / 8.37 mm ²	1239.61	377.929

NOTE: Calculations include a standard 10% buffer