



Date \_\_\_\_\_ Project \_\_\_\_\_

Notes \_\_\_\_\_

**LUTRON HI-LUME DRIVERS**

Our LED systems are fully-integrated and compatible with UL Listed Lutron Hi Lume flicker-free control systems.

- 24V DC
- Dry or Damp location
- 40 W
- Dim to 1%
- Line Voltage or Ecosystem Dimming
- 120 V (2-Wire Standard Forward Phase version)
- Class 2 output
- NEMA 410 - 2011 compliant



**Applications:**

- |               |               |             |
|---------------|---------------|-------------|
| Commercial    | Hospitality   | Residential |
| Entertainment | Museums       | Retail      |
| Healthcare    | Public Spaces |             |



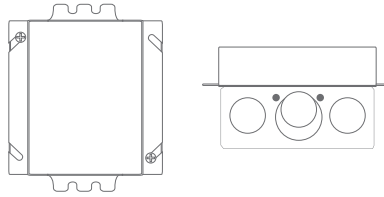
5-Day QuickShip Program

**ORDERING GUIDE**

Category	Voltage	Wattage	Input Voltage
DRVLUT	24	40	2W
DRVLUT - Lutron Premier Hi-Lume Driver	24 - 24 V	40 - 40 W	2W - 2-Wire Forward Phase (120 V)

**SPECIFICATIONS**

**40W HI-LUME-24 V**



\*Distance between screw holes: 0.59 in (15 mm)

Output Voltage (DC)	24 V
Rated Output Current	1.67 A
Output Current Range	0.208 - 1.67 A
Rated Power	5 - 40 W
Minimum Load	5 W
Setup Rise Time	Turn-on time < 1 sec
Input Voltage Range (VAC)	120 V (2-Wire)
Frequency Range	50 / 60 Hz
Power Factor	0.99 (0.96 or 277 V)
Efficiency (Typ.)	80%
AC Current (Typ.)	0.17 - 0.37 A
Inrush Current (Typ.)	< 2 A
Dimming Type	2-Wire or EcoSystem
Dimming Level	Dims to 1% light level
PWM Dimming Frq.	550 Hz
Ambient Temperature	32 ° - 104° F (0° - 40° C)
Working Humidity	Max 90% non-condensing
Safety Standards	Lutron Quality Systems registered to ISO 9001:2008, UL 8750-listed, Class 2 output. Driver and junction box must be grounded in accordance with local and national electrical codes.
Dimensions	4.00 in x 4.00 in x 2.62 in (L x W x H) (206 mm x 99.8 mm x 40.4 mm)
Weight	1 lb

**WIRE GAUGE CHART**

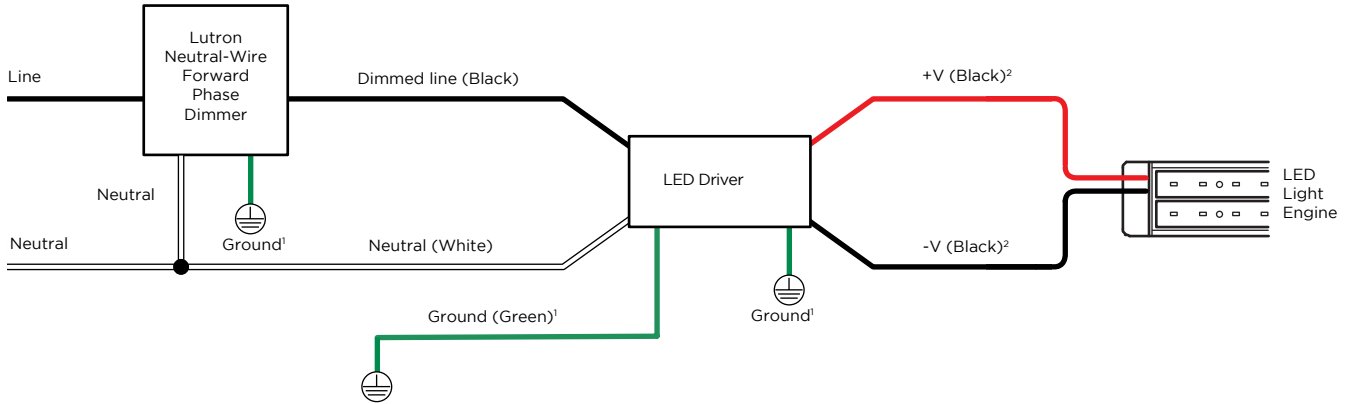
**MAXIMUM DISTANCE FROM DRIVER TO LED AT FULL LOAD**

24 AWG	14 ft (4.27 m)
22 AWG	22 ft (6.71 m)
20 AWG	35 ft (10.67 m)
18 AWG	56 ft (17.1 m)
16 AWG	90 ft (27.4 m)
14 AWG	142 ft (43.3 m)
12 AWG	226 ft (68.9 m)

**SPECIFICATIONS**

**LUTRON HI-LUME 40W 2-WIRE FORWARD PHASE DIMMING**

Note: Colors shown correspond to terminals on driver.



**LUTRON HI-LUME 40W NON-DIMMING**

Note: Colors shown correspond to terminals on driver.

