



Featuring 470 lumens per module and a specially designed optical beam pattern, our premium BoxRayz[®] 3.0 modules provide the lowest total system cost for large cabinet sign illumination. With a stellar IP68 rating, the BoxRayz[®] 3.0 is great for single- and double-side cabinet signs, box signs, cloud signs and large channel letters.

Applications:

- Single- and double-faced cabinet signs
- Box signs
- Cloud signs
- Large channel letters
- Applications starting at 5 in. (125 mm) depth



cULus **CE** **RoHS** **IP68** **LM-79** **LM-80**



12V/24V DC



5 YEAR LIMITED WARRANTY



ONEWhite[®] COLOR CONSISTENCY



VERSALENZ[®] ADVANCED OPTICS



CAPZUL[®] WATERPROOF



UV RESISTANT



50,000 HRS L70 LIFETIME

ORDERING GUIDE

Part Number	White Color Temp.	Module Spacing (in/mm)	Number of Modules		Nominal Light Output (lm)*		
			Per Foot	Per Meter	Per Module	Per Foot	Per Meter
LS-BRB3-65K-B405-A	6500K	16"/ 406.4 mm	0.75	2.46	470	353	1156
LS-BRB3-57K-B405-A	5700K	16"/ 406.4 mm	0.75	2.46	470	353	1156
LS-BRB3-50K-B405-A	5000K	16"/ 406.4 mm	0.75	2.46	470	353	1156
LS-BRB3-40K-B405-A	4000K	16"/ 406.4 mm	0.75	2.46	470	353	1156
LS-BRB3-30K-B405-A	3000K	16"/ 406.4 mm	0.75	2.46	450	338	1107
LS-BRB3-27K-B405-A	2700K	16"/ 406.4 mm	0.75	2.46	450	338	1107

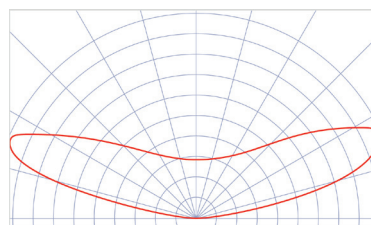
* ± 10%

PRODUCT RATINGS

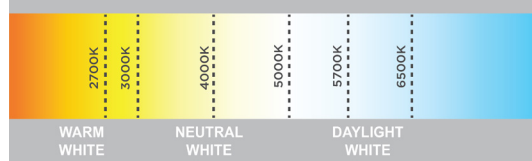
Luminous Efficacy	116 lm/W @ 6500K (12V) 106 lm/W @ 6500K (24V)
Wattage per Module	4.04 W Nominal (12V) 4.24 W Maximum (12V) 4.44 W Nominal (24V) 4.66 W Maximum (24V)
Input Current per Module	0.337 A/ module @ 12V 0.185 A/ module @ 24V
Input Voltage per Module	12V / 24V DC Nominal
Power Supply Loading	10 modules per 60W (12V) 16 modules per 96W (24V)
Ingress Protection	IP68
Operating Temperature	-40° — +140° F (-40° — +60° C)
L70 Lifetime @ 60° C	50,000 Hours
Warranty	5 Year Limited Warranty

LUMINOUS INTENSITY DISTRIBUTION

B7 Batwing Beam Pattern



WHITE COLOR TEMPERATURE SCALE





SHIPPING INFORMATION

Module Type	Specs	Packaging Quantity			Carton Weight	Box Dimensions			Carton Dimensions			
		Per Bag	Per Box	Per Carton		W	D	H	W	D	H	
LS-BRB3-xxK-B405-A	Modules	16	64	256	37.5 lb 17.0 kg	18.5	9.5	3.7	19.3	16.7	10.4	inch
	Feet	21.3	85.3	341.3		470	240	95	490	425	265	mm
	Meters	6.5	26	104								

LAYOUT GUIDE*

Channel Depth (in)	Multiple Rows		Channel Depth (mm)	Multiple Rows	
	Row Spacing (in)	Module Spacing (in)		Row Spacing (mm)	Module Spacing (mm)
5	12	12	125	305	305
6	14	14	150	356	356
7	16	16	180	406	406
8	18	16	200	457	406
9	20	16	230	508	406
10	22	16	250	559	406
11	24	16	280	610	406
12	24	16	305	610	406

POWER SUPPLY LOADING

* Can go wider if needed.

	12V Power Supply	Single String	Total per Power Supply	Total # of Feet	Total # of Meter
Class 2	20W	4	4	4	1.2
	35W	6	6	6	1.8
	60W	10	10	10	3.0
	180W (3-Channel)	10	30	30	9.1
Class 1	100W	11	18 (6, 6, 6)	18	5.5
	180W	11	30 (10, 10, 10)	30	9.1
	200W	11	35 (10, 10, 10, 5)	35	10.7
	24V	Single String	Total per Power Supply	Total # of Feet	Total # of Meter
Class 2	30W	6	6	6	1.8
	60W	10	10	10	3
	100W	16	16	16	4.9
	300W (3-Channel)	16	48 (16, 16, 16)	48	10.7

- Note:**
1. Loading calculated at 25°C
 2. For maximum loading to be reached, the LED module count needs to be balanced across multiple strings. See parentheses ()
 3. All values include an 8% buffer from the maximum load
 4. Single String Max Modules values can be used with the remote mounting to the power supply table

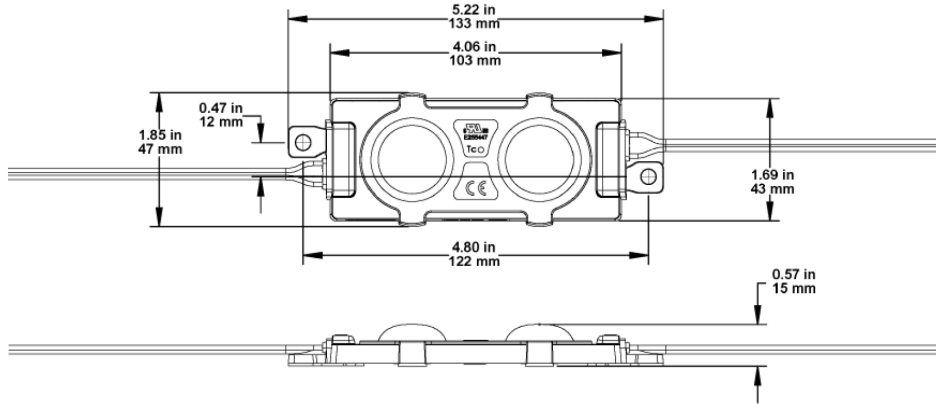
REMOTE MOUNTING DISTANCE FROM DRIVER TO MODULES

Power Supply	18AWG	16AWG	14AWG	12AWG
60W	20 ft / 6.1 m	25 ft / 7.6 m	35 ft / 10.6 m	40 ft / 12.1 m
100W	20 ft / 6.1 m	25 ft / 7.6 m	35 ft / 10.6 m	40 ft / 12.1 m
300W	20 ft / 6.1 m	25 ft / 7.6 m	35 ft / 10.6 m	40 ft / 12.1 m

- Note:**
1. Power supply always has 8% buffer
 2. These values are good for use with Power Supply Loading Table Single String Max Module values
 3. Remote loading table uses General Cable /Carol Brand



DIMENSIONS



1. UL ONLY - These products are only suitable for connection to a UL rated Class 2 power source rated at 12 or 24 volts.
2. UL ONLY - These products are intended for use only when connected to a power source that complies with UL rated Class 2 voltage and energy limited circuit.
3. UL ONLY - When these units are connected to a UL rated Class 2 circuit, they are not to draw a total wattage of greater than the secondary or output rating of the UL rated Class 2 power supply.
4. These products may be secured in place in the end product by any means available.
5. These products are suitable for use in dry, damp, and wet locations. Not suitable for submersed applications.