

Features and Benefits:

- Built-in Waterproof compartments for wiring
- Constant DC Voltage Output
- Active Power Factor Correction (0.99 Typical)
- Wide AC input voltage range 100-277V 50/60Hz
- Surge, over-current, over-voltage, over-temperature and short-circuit protections
- IP68 rated, UL certified for use in wet, damp, and dry locations
- Meets UL1310 Class 2 output, UL8750, & EN61347 Safety Standards
- Compliant with FCC Title 47 CFR Part 15 Non-Consumer (Class A) for EMI/RFI (conducted and radiated) at full load
- 5 Year Limited Warranty



12V DC



5 YEAR WARRANTY



IP68



SELV

RoHS

PRODUCT INFORMATION

Part Number	PS12-60W-100-277V-ENC
Rated Input Voltage	100 -277V AC
Rated Input Frequency	50/60 Hz
AC Input Current	Max. 0.8 A @ 120V AC
Rated DC Output Voltage ¹	12 V DC
Max. DC Output Power	60W DC
Max. DC Output Current	5.00A DC
Power Efficiency	87% @ 220V AC, 100% load
Typical Power Factor	0.99 @ 110V AC 0.96 @ 220V AC
Max. Inrush Current (A) ²	50A @ 220V, cold start
IP Rating	IP68
Operating Ambient Temp.	-31° — +140° F (-35° — +60° C)
Lifetime	50,000 hours @ Tc 60° C, 80% load
Dimensions (L x W x H)	10.98" x 3.23" x 2.03" 279 mm x 82 mm x 52 mm
Net Weight	2.02 lb 0.92 kg

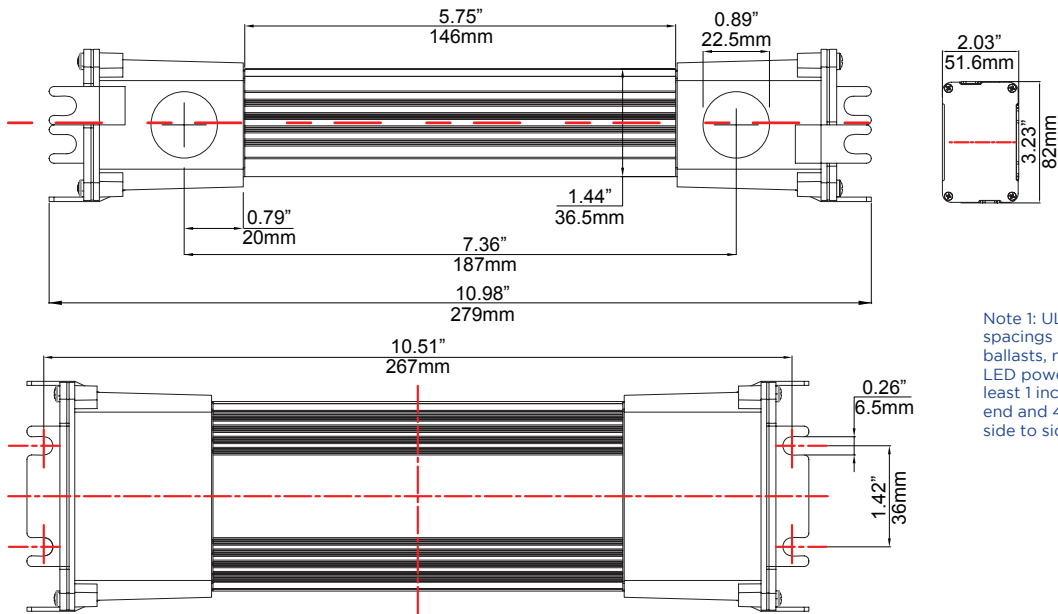
¹ Tolerance ± 0.6V

² Measured at 230V AC input and 25°C cold start

STANDARD COMPLIANCE

Safety	Safety Standards
UL / cUL CE	UL 8750, CAN/CSA-C22.2 No.0,
Country/Region	UL 1012, CSA-C22.2 107.1
USA & Canada	UL 879, CSA-C22.2 No.250.0,
EU	UL 879A
EMI Standards	
EN 55015	Conducted emission Test & Radiated emission Test with 6 dB margin
EN 61000-3-2	Harmonic current emissions: Class C
EN 61000-3-3	Voltage fluctuations & flicker
EN 61000-4-2	Electrostatic Discharge (ESD): 8 kV air discharge, 4 kV contact discharge
EN 61000-4-3	Radio-Frequency Electromagnetic Field Susceptibility Test-RS
EN 61000-4-4	Electrical Fast Transient / Burst
EN 61000-4-5	Surge Immunity Test: AC Power Line
EN 61000-4-6	Conducted Radio Frequency Disturbances Test-CS
EN 61000-4-8	Power Frequency Magnetic Field Test
EN 61000-4-11	Immunity against mains dips/ mains interruptions
EN 61547	Electromagnetic Immunity Requirements Applies to Lighting Equipment

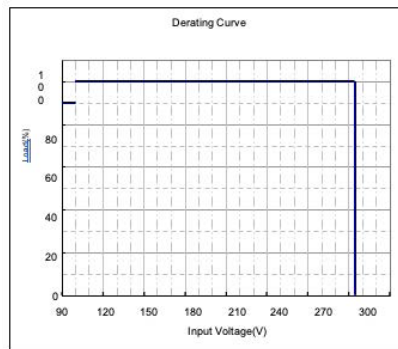
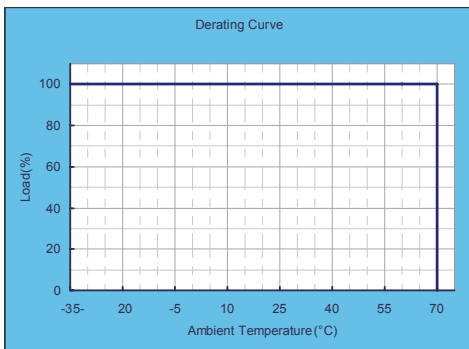
DIMENSIONS



Note 1: UL 48 Standard requires spacings between transformers, ballasts, neon power supplies and LED power supplies shall be at least 1 inch (25.4 mm) from end to end and 4 inches (101.6 mm) from side to side.

Note: To prevent exposure to the maximum allowable temperatures for these drivers, the suggested installation spacing between drivers is at least 4 in. (100 mm) side-to-side when the distance to the sidewall and top of the enclosure is 2 in. (50 mm). When the distance to the sidewall and top of the enclosure is 6 in. (150 mm), maintain at least 2 in. (100 mm) side-to-side spacing between drivers. Drivers should be placed a minimum of 1 in. (25 mm) apart when arranging them end-to-end regardless of the enclosure size.

DERATING CURVE



WIRING GAUGE CHART

Wire Size	Metric (mm ²)	Maximum Distance*	
		Feet	Meters
Gauge (AWG)			
26	0.13	3	0.9
24	0.21	4	1.2
22	0.33	7	2.1
20	0.52	11	3.4
18	0.82	18	5.5
16	1.31	29	8.8
14	2.08	45	13.7
12	3.31	71	21.6
10	5.26	120	36.6

*Distance from power supply to 100% load

SHIPPING INFORMATION

Module Type	Specs	Packaging Quantity		Case Weight	SKU Dimensions			Case Dimensions			
		Per SKU	Per Case		W	D	H	W	D	H	
PS12-60W-100-277V-ENC	# of Units	1	16	35.0 lb 15.9 kg	10.98	3.23	2.03	19.7	14.6	14.0	inch
					279	82	52	500	371	356	mm



1. The maximum case temperature Tc shall not exceed 194°F (90°C) when used in end product.
2. These products are intended to be connected to a max. 20 A branch circuit.
3. These products are intended for use in dry and damp locations.