

NEON APEX

Our Neon Apex is a flexible neon replacement product designed for unique applications with a top bend light surface. Featuring a pliable silicone lens, it's a great solution for lighting above or below an arch or wrapping around other molded shapes. With Static White, Variable White, Static Color and RGB options, the Neon Apex marries the classic gleam of neon with all the benefits of modern LEDs.



- Top bend turn radius, just like our RibbonLyte
- Red, Green, Blue or Amber at 5.0W
- Static White, Variable White at 5.0W
- Color changing RGB at 4.4W
- Compact square design creates signature style
- 110° beam angle

Applications:

Commercial	Hospitality	Residential
Entertainment	Museums	Retail / Signage
Healthcare	Public Spaces	



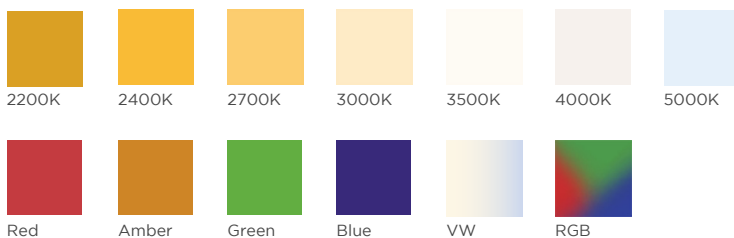
ORDERING GUIDE

Category	Wattage & Color		Power Feed Direction
NLA			E
NLA - Neon Apex	5.022 - 5.0 W/ft 2200K	5.0R - 5.0 W/ft Red	E - End Feed
	5.024 - 5.0 W/ft 2400K	5.0G - 5.0 W/ft Green	
	5.027 - 5.0 W/ft 2700K	5.0B - 5.0 W/ft Blue	
	5.030 - 5.0 W/ft 3000K	5.0A - 5.0 W/ft Amber	
	5.035 - 5.0 W/ft 3500K	5.0VW - 5.0 W/ft Variable White	
	5.040 - 5.0 W/ft 4000K	4.4RGB - 4.4 W/ft Red, Green, Blue	
	5.050 - 5.0 W/ft 5000K		

Mounting

1. Mounting Clips
(Part #: NLAMOUNTCLIP)

AVAILABLE COLORS AND COLOR TEMPERATURES



POWER FEED OPTIONS / SPECIFICATIONS / USAGE GUIDELINES

SPECIFICATIONS	NEON APEX
Operating Voltage	24 V
Power Consumption	Static White, Static Colors, Variable White: 5.0 W/ft (16.4 W/m) RGB: 4.4 W/ft (14.4 W/m)
Protection Rating	IP67
Beam Angle	110°
Dimming	ELV / MLV / 0-10 Volt / DMX / Lutron Hi-Lume 1% dimming LED drivers
Operating Temperature	-40° F to 140° F (-40° C to 60° C)
Color Temperatures / Colors	2200K, 2400K, 2700K, 3000K, 3500K, 4000K, 5000K, Red, Green, Blue, Amber, Variable White, RGB
Lamp Life	50,000 Hours
Length	Static White: Up to 18 ft. (5.5 m) Static Color Red & Green: Up to 32.8 ft. (10 m) Static Color Blue & Amber: Up to 21.33 ft. (6.5 m) Variable White: Up to 21.33 ft. (6.5 m) RGB: Up to Up to 32.8 ft. (10 m)
Power Cable Length	Standard: 12 in (304.8 mm) / Custom: up to 20 ft (6 m)
UV Resistant	UV tested in accordance with ISO 4892-3 with no visible change on the appearance of the sample
Minimum Bend Diameter	4.7 in (120 mm) Not Field Cuttable
CRI (white)	90+ for all Color Temperatures
Lumens	5.0 Static White 4000K: 257.13 lm/ft (843.4 lm/m)
	5.0 Static Color Red: 57.62 lm/ft (189 lm/m) / Green: 252.92 lm/ft (829.6 lm/m) / Blue: 42.56 lm/ft (139.6 lm/m) / Amber: 29.29 lm/ft (96.1 lm/m)
	5.0 Variable White At 2200K: 63.71 lm/ft (209 lm/m) / At 6100K: 74.82 lm/ft (245.4 lm/m) / All LEDs at 100%: 136.52 lm/ft (447.8 lm/m)
	4.4 RGB Red: 13.41 lm/ft (44 lm/m) / Green: 42.92 lm/ft (140.8 lm/m) / Blue: 7.74 lm/ft (25.4 lm/m) All LEDs at 100%: 61.34 lm/ft (201.2 lm/m)

POWER FEED OPTIONS



End Feed - Power From End

USAGE GUIDELINES

- When installing this product take into account the surface temperature of the material this product is mounted to. Many building surfaces which are exposed to direct sunlight exceed the 70° C/158° F maximum that our product is rated for. High-risk locations like this should be avoided.
- This product is not intended to be submerged in pools and fountains and does not carry UL 676 certification to do so. Available for download at: www.GENLEDBrands.com/Acolyte
- Compatible with a wide variety of control products including the entire line of Lutron dimming systems.
- For use with Acolyte drivers, triac dimming modules, and 0-10 modules.
- Use with non-Acolyte triac, MLV or ELV drivers is not supported or warrantied
- Due to the cuttable points inside, this product's cuttable lengths are generally longer or shorter than the customer requested length. Unless specified, this product is factory cut at the shorter cuttable point
- This product can be used in wet, outdoor locations around swimming pools and spa tubs, but not submerged in swimming pools and spa tubs.
- We reserve the right to make changes to product lineup, specifications, design and finishes at any time without notice.

Acolyte does not warrant or represent that the information is free from errors or omission. The information may change without notice and Acolyte is not in any way liable for the accuracy of any information printed and stored or in any way interpreted or used.

DIMENSIONS / DIAGRAMS

DIMENSIONS		NEON APEX
IP67	Width (mounted in channel)	0.39 in (10 mm)
	Length	Varies (see dimensions on pg. 2)
	Height (mounted in channel)	0.81 in (20.5 mm)

DIAGRAMS		NEON APEX
TUBE	<p>TUBE</p> <p>END CAP</p>	<p>TUBE OUTER HEIGHT: 0.6 in / 15.24 mm TUBE OUTER WIDTH: 0.65 in / 16.51 mm</p> <p>END CAP HEIGHT: 0.75 in / 19.05 mm END CAP WIDTH: 0.7 in / 17.78 mm</p>
MOUNTING CLIP	<p>TOP VIEW</p> <p>SIDE VIEW</p> <p>ASSEMBLED VIEW</p>	<p>MOUNTING CLIP OVERALL HEIGHT: 0.68 in / 17.27 mm MOUNTING CLIP LENGTH: 0.98 in / 24.89 mm MOUNTING CLIP WIDTH: 0.73 in / 18.54 mm MOUNTING CLIP SCREW TAP DIAMETER: 0.11 in / 2.8 mm</p> <p>Use (2) mounting clips per foot unless specific shapes require more *Recommended mounting clip screw size: #4-40</p> <p>ASSEMBLED HEIGHT: 0.75 in / 19.05 mm ASSEMBLED WIDTH: 0.73 in / 18.54 mm</p>

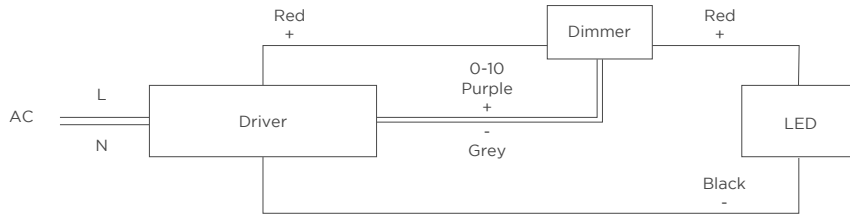
DISCLAIMER

When installing this product take into account the surface temperature of the material this product is mounted to. Many building surfaces which are exposed to direct sunlight exceed the 70° C/158° F maximum that our product is rated for. High-risk locations like this should be avoided.

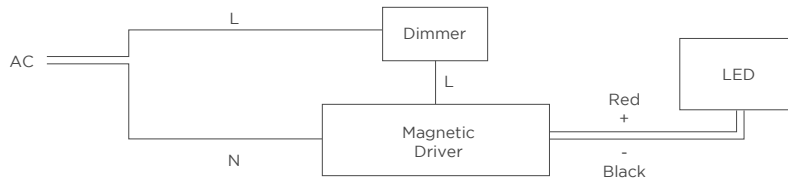
This product is not intended to be submerged in pools and fountains and does not carry UL 676 certification to do so.

WIRING DIAGRAMS

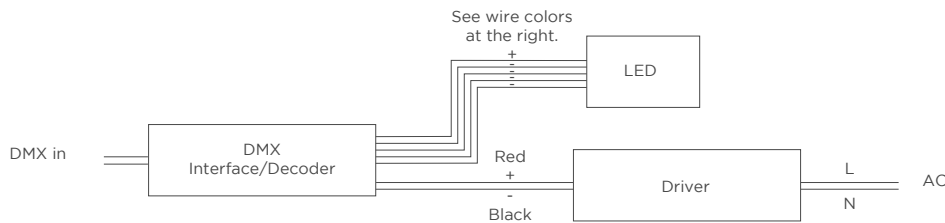
0-10V



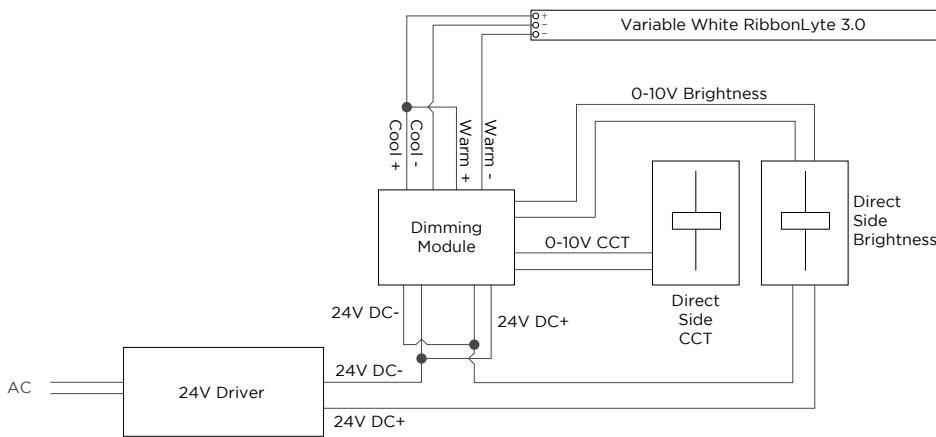
MAGNETIC + ELV



DMX



2-CHANNEL VARIABLE WHITE DIMMING



WIRE COLORS PER RIBBONLYTE COLOR

STATIC WHITE +

STATIC COLOR

- Red Wire (+) Positive
- Black Wire (-) Negative

VARIABLE WHITE

- Black (+) Positive
- Red Wire (-) goes to Warm White Channel
- Green Wire (-) goes to Cool White Channel

RGB

- Black Wire (+) Positive
- Red Wire (-) Goes To Red Channel
- Green Wire (-) Goes To Green Channel
- Blue Wire (-) Goes To Blue Channel