

#### Product Description:

- Constant voltage LED power supply
- Universal input voltage range
- Constant output voltage
- Connection cable with stripped cable end (length approx. 300 mm)
- Polarity identifiers, secondary + red / - black
- Nominal lifetime >50,000 h (at 230Vac, full load, Tc 75°C)
- 7-year guarantee (for Tc: 75°C)
- Complies with Class C according to EN 61000 -3-2
- Suitable for emergency installation according EN 55015



#### Properties:

- Small design
- Low power loss
- Overtemperature and overload protection
- Short-circuit shutdown feature w/automatic restart
- Surge protection
- Type of protection: IP68
- Metal casing, encapsulated



#### ORDERING GUIDE

Type	PS12-36W-GN-B
Article Number	28000508B
Packaging Carton	30 pc(s).
Package Dimensions (L x W x L)	7.87 x 2.95 x 1.97 in. (200 x 75 x 50 mm)
Weight per pc.	1 lb (0.45 kg)
Carton Dimensions (L x W x L)	16.34 x 15.75 x 6.69 in. (415 x 400 x 170 mm)
Carton Weight	33.1 lb (15 kg)

#### SPECIFIC TECHNICAL DATA

Type	PS12-36W-GN-B
Max. Casing Temp T <sub>c</sub>	194° F (90° C)
Output Voltage	12.5 V
Max. Input Power	36 W
Rated Output Current	3.0 A
Max. Output Voltage	13.2 V

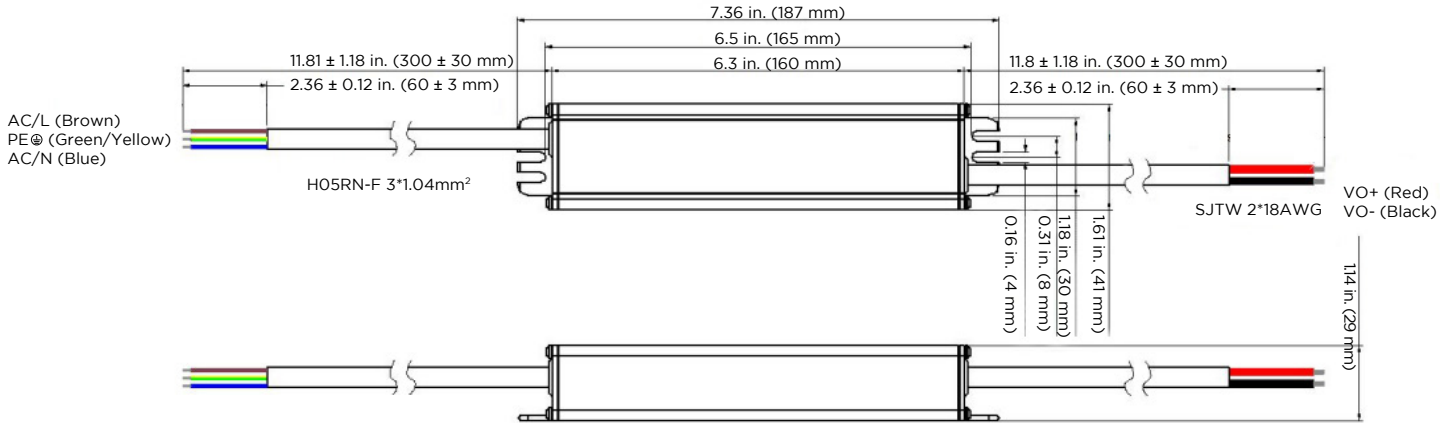
#### STANDARD COMPLIANCE

<b>Safety</b>	<b>Safety Standards</b>
<b>Certifications</b>	CE, RoHS, MM
<b>Protections</b>	OPT, OVP, OLP, SCP

#### TECHNICAL DATA

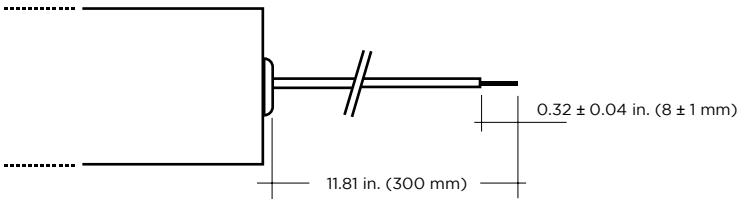
Input Voltage Range	100 - 277 VAC
Max input current	0.25 A
Mains Frequency	50 - 60 Hz
Efficiency (at 230 VAC)	85%
λ (at 230 V, 50 Hz, full load)	0.97
THD	< 20%
PF	≥ 0.9 @ 230 VAC
Rated Output Power	36 W
Inrush Current (cold start)	≤ 50 A
Turn On Time (cold start)	≤ 500ms
Ambient Temperature T <sub>a</sub>	-40° — +140° F (-40 ~ +60° C)
Storage Temperature T <sub>s</sub>	-40° — +176° F (-40 ~ +80° C)
Dimensions (L x W x H)	7.36 x 1.61 x 1.14 in. (187 x 41 x 29 mm)
Weight	1 lb (0.45 kg)

**DIMENSION DRAWINGS**

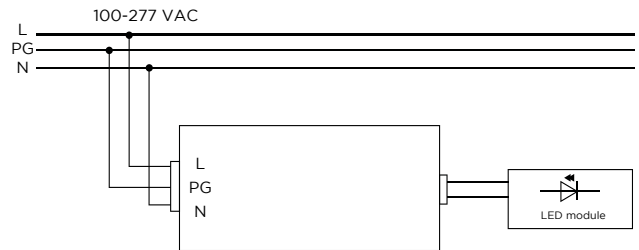


**NOTE:** To prevent exposure to the maximum allowable temperatures for these drivers, the suggested installation spacing between drivers is at least 4 in. (101.6 mm) side-to-side when the distance to the sidewall and top of the enclosure is 2 in. (50.8 mm). When the distance to the sidewall and top of the enclosure is 6 in. (152.4 mm), maintain at least 2 in. (50.8 mm) side-to-side spacing between drivers. Drivers should be placed at a minimum of 1 in. (25.4 mm) apart when arranging them end-to-end regardless of the enclosure size.

**CONNECTION**



**WIRING DIAGRAM**



Primary Cable			Secondary Cable	
L	N	PG	+	-
brown	blue	green/yellow	red	black

DRIVER REMOTE DISTANCES		
Wattages	PS12-36W-GN-B	
Wire Gauge	Feet	Meters
24 AWG / 0.20 mm <sup>2</sup>	4.14	1.263
22 AWG / 0.33 mm <sup>2</sup>	7.01	2.137
20 AWG / 0.52 mm <sup>2</sup>	10.72	3.268
18 AWG / 0.82 mm <sup>2</sup>	17.35	5.291
16 AWG / 1.31 mm <sup>2</sup>	28.03	8.547
14 AWG / 2.08 mm <sup>2</sup>	44.44	13.550
12 AWG / 3.31 mm <sup>2</sup>	70.09	21.368
10 AWG / 5.26 mm <sup>2</sup>	110.44	33.670
8 AWG / 8.37 mm <sup>2</sup>	173.54	52.910

**NOTE:** Calculations include a standard 10% buffer

GLOBAL HQ	EUROPEAN HQ	MEINA HQ	ASIA-PACIFIC HQ
320 Murray Hill Pkwy East Rutherford, NJ 07073 U.S. T: (+1) 212 629 6830 E: Sales-US@GENLEDBrands.com	Hogeweyselaan 119 1382 JK Weesp Netherlands T: (+31) 346 235 000 E: SalesEurope@GENLEDBrands.com	PO Box 371378, #823, Building 4EA Dubai Airport Free Zone Dubai, UAE T: (+971) 4 701 7901 E: SalesMEINA@genlebrands.com	Room 402, Building D Shenshi Tongchuang Science and Technology Park No. 16 Hongyin Road Xingqiang Community, Xiniu Street Guangming District, Shenzhen, China 518107 Sales: (+86) 139 1836 3905 Office: (+86) 755 8529 0710 E: Sales-Pacific@GENLEDBrands.com