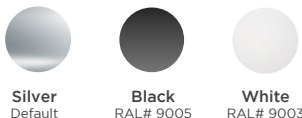


SCROLL80S PENDANT FIXTURE

Fashion graceful custom side-illuminated fixtures with open curves or bold signature lighting pieces with the Scroll Pendant Series from Acolyte. Design fully closed shapes like simple circles and triangles or complex undulating ovals, squares and lines, all manufactured to your precise specification. If you can draw it, we can do it! The incredibly flexible Scroll Pendant Series also allows us to generate complementary custom luminaires in surface mounted fixtures.

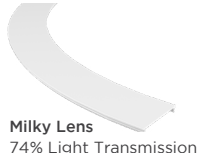
- Create side-illuminated pendant or surface mounted fixtures
- Available in 2700K, 3000K, 3500K, 4000K, Variable White, RGBW
- Static White high output models at 1120 lm/ft (3674 lm/m)
- Minimum bending radius: 13.78 in. (350 mm)
- Static White: 0-10V, ELV/MLV, and DALI dimming
- RGBW and Variable White: 0-10V VW dimming
- Compatible with DMX controls
- Standard silver finish
- Special order Black, White or custom RAL

HOUSING FINISHES

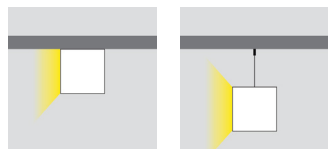


Note: Custom colors available upon request

LENS FINISH

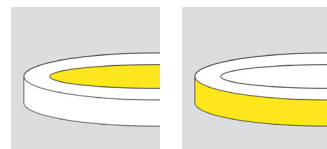


MOUNTING OPTIONS



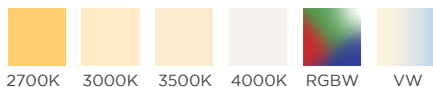
Surface Mount Suspended Mount

ILLUMINATION OPTIONS



Inward or Outward

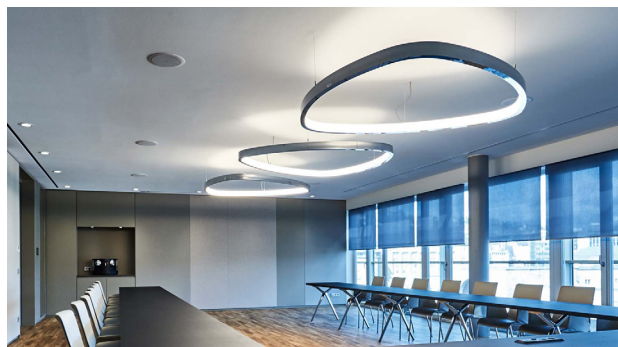
AVAILABLE COLOR TEMPERATURES & COLORS



ORDERING GUIDE

Fixture Length	Illumination Direction	Output (VW and RGBW in Standard Output only)	Mounting Type*
SL80			
SL80 - Scroll80S Side Illuminated Fixture	I - Inward O - Outward	SO - Standard Direct Only HO - High Direct Only	P - Suspended Pendant S - Surface
Color Temperature and Colors	Surface Finish	Run	
27 - 2700K VW - Variable White (2000K-6500K)	SV - Silver	S - Straight	QUOTING PROCESS Scroll Pendants allow for complex custom designs. To quote for Scroll Pendants, Acolyte requires a detailed floor plan with scale. This lets us calculate proper angles and section lengths. Quotes will take 2-3 business days.
30 - 3000K RGBW - RGBW (3000K)	BK - Black	C - Curved	
35 - 3500K	WH - White		
40 - 4000K	C - Custom		
			PRODUCTION PROCESS After we receive a Purchase Order, our engineering team will provide a dimension drawing that shows the precise specifications of each pendant. Drawings take 2-3 business days. The client must review, approve and return a signed dimension drawing before production begins.

*The standard length of Suspended Mounting Kit cables is 6 ft 6.74 in. (2 m). Custom lengths are available up to 32 ft 9.7 in. (10 m).

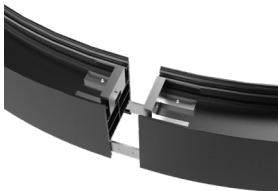

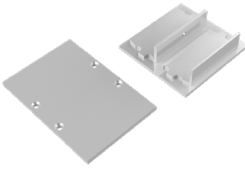





SPECIFICATIONS


Beam Angle	110°									
Lens Type	Milky Lens (PMMA)									
Length	Continuous lengths available. Lens max lengths are 19 ft 8 in. (6 m)									
Dimming	Static White: 0-10V, (DALI coming soon) RGBW and Variable White: 0-10V VW Driver, DMX									
CCTs & Colors	2700K, 3000K, 3500K, 4000K		VW (2000K-6500K)			RGBW (3000K)				
Power	Standard Output	High Output	All On	Cool White (6500K)	Warm White (2000K)	All On	Red	Green	Blue	White (3000K)
	7.3 W/ft (24 W/m)	14.6 W/ft (48 W/m)	12.8 W/ft (42 W/m)	6.4 W/ft (21 W/m)	6.4 W/ft (21 W/m)	14.6 W/ft (48 W/m)	3.7 W/ft (12 W/m)	3.7 W/ft (12 W/m)	3.7 W/ft (12 W/m)	3.7 W/ft (12 W/m)
Voltage	Constant Current			24V Constant Voltage						
Lumens	600 lm/ft (1968 lm/m)	1120 lm/ft (3674 lm/m)	450 lm/ft (1476 lm/m)	210 lm/ft (689 lm/m)	175 lm/ft (574 lm/m)	325 lm/ft (1066 lm/m)	40 lm/ft (131 lm/m)	85 lm/ft (279 lm/m)	20 lm/ft (66 lm/m)	105 lm/ft (344 lm/m)
Lumens/Watt	82 lm/W	76 lm/W	35 lm/W	33 lm/W	27 lm/W	22 lm/W	10 lm/W	23 lm/W	5 lm/W	29 lm/W
CRI	90+									
Certifications	UL, CE, RoHS									

ACCESSORIES

<p>Coupler</p> <p>Part #: SLS80COUP</p> 	<p>Suspended Mounting Kit (included accessory)</p>  <p>NOTE: The standard length of Suspended Mounting Kit cables is 6 ft 6.74 in. (2 m). Custom lengths are available up to 32 ft 9.7 in. (10 m).</p>	<p>End Caps (included accessory)</p> 	<p>Power Feed Canopy Kit</p> <p>Part #: LLFEEDKITWHTV2 (White) Part #: LLFEEDKITBLKV2 (Black)</p> 
--	--	--	--

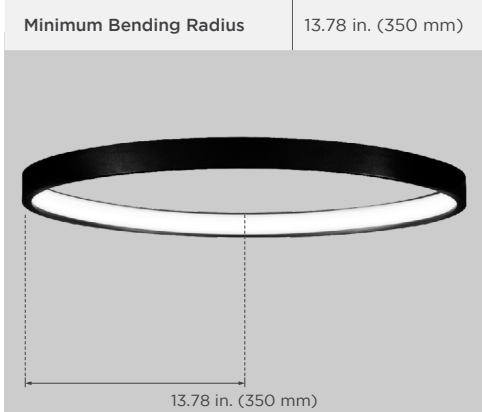
DIMENSIONS

SCROLL80S



Width: 1.18 in. (30 mm)
Height: 3.15 in. (80 mm)
Length: Up to 6 ft 6.7 in. (2 m)

NOTE: 1. Max length for lens is 19 ft 8 in. (6 m)
2. Each section requires its own driver.



Minimum Bending Radius: 13.78 in. (350 mm)

WARNING: DO NOT bend fixture past the listed minimum bending radius. Defects caused by over-bending will result in a voided warranty.

Acolyte does not warrant or represent that the information is free from errors or omission. The information may change without notice and Acolyte is not in any way liable for the accuracy of any information printed and stored or in any way interpreted or used.

AVAILABLE DRIVERS/INTERFACE

	FOR STATIC WHITE MODELS				
	FOR AMERICAS ONLY			FOR OUTSIDE OF AMERICAS	
	0-10V 1% DIMMABLE 25W DRIVER*	0-10V 1% DIMMABLE 50W DRIVER*	0-10V 5% DIMMABLE 95W DRIVER*	CONSTANT CURRENT 50W DRIVER*	CONSTANT CURRENT 96W DRIVER*
Part Number	DRVCC25SS277010	DRVCC50SS277010	DRVCC95SS277010	DRVCC50DALIICH	DRVCC96DALIICH
Compatible Dimming	0-10 V	0-10 V	0-10 V	DALI2.0 / D4i	DALI2.0 / D4i
Output Voltage (VDC)	27 - 54 VDC	27 - 54 VDC	20 - 54 VDC	9 - 52 V	9 - 54 V
Output Wattage	25 W	50 W	95 W	50 W	96 W
Output Current	0.1 - 0.7 A	0.1 - 1.4 A	0.1 - 2.75 A	100 - 1400 mA (Default Current: 400 mA)	100 - 2800 mA (Default Current: 700 mA)
Input Voltage Range (VAC)	120 - 277 VAC	120 - 277 VAC	120 - 277 VAC	120 - 277 VAC	120 - 277 VAC
Input Current (A)	0.25 A (120 VAC) / 0.13 A (230 VAC) / 0.11 A (277 VAC)	0.48 A (120 VAC) / 0.25 A (230 VAC) / 0.21 A (277 VAC)	0.89 A (120 VAC) / 0.53 A (230 VAC) / 0.38 A (277 VAC)	0.6 A (120 VAC) / 0.28 A (277 VAC)	1 A (120 VAC) / 0.5 A (230 VAC) / 0.5 A (277 VAC)
Input Frequency	50 / 60 Hz	50 / 60 Hz	50 / 60 Hz	50 / 60 Hz	50 / 60 Hz
Max Input Power (W)	31 W	58 W	110 W	--	--
Efficiency @ Max Load	83 (120 VAC) / 85 (277 VAC)	86 (120 VAC) / 88 (277 VAC)	88 (120 VAC) / 89 (277 VAC)	≥87% (120 VAC) / ≥88% (277 VAC)	≥88% (120 VAC) / ≥90% (230 VAC) / ≥90% (277 VAC)
Max Input Current	0.25 A	0.48 A	0.89 A	0.60 A	1 A
THD @ Max Load	< 10% (120 VAC) < 15% (277 VAC)	< 10% (120 VAC) < 15% (277 VAC)	< 10% (120 VAC) < 15% (277 VAC)	≤10% (120 VAC)	<10% (120 VAC)
Power Factor @ Max Load	> 0.95	> 0.95	> 0.95	≥0.95 (120 VAC) / 0.90 (277 VAC)	≥0.95
Surge Protection (Combi-Wave, KV)	2.5	2.5	6	L-N 2500VAC L&N-PE 2500VAC	L-N 2500VAC L&N-PE 2500VAC
Expected Life Time	50,000 hours (< 65 °C)	50,000 hours (< 65 °C)	50,000 hours (< 65 °C)	50,000 hours (< 65 °C)	50,000 hours (< 65 °C)
Operating Temperature	-4 - 122 °F (-20 - 50 °C)	-4 - 122 °F (-20 - 50 °C)	-40 - 131 °F (-40 - 55 °C)	-4 - 122 °F (-20 - 50 °C)	-4 - 122 °F (-20 - 50 °C)
Safety Standards	UL8750, UL991, CSA250.13-14, C22.2 No. 0.8-12, CSA Class P, ETL Class P, UL2043 Plenum Rating	UL8750, UL991, CSA250.13-14, C22.2 No. 0.8-12, CSA Class P, ETL Class P, UL2043 Plenum Rating	UL8750, UL1310, CSA, UL Class P	CE - EN61347-1:2015+A1:2021, EN61347-2-13:2024, EN55015:2019	CE - EN61347-1:2015+A1:2021, EN61347-2-13:2024, EN55015:2019
Weight	0.44 lbs (0.2 kgs)	0.9 lbs (0.41 kgs)	1.5 lbs (0.68 kgs)	0.57 lbs (0.26 kgs)	0.77 lbs (0.35 kgs)
Dimensions (L x W x H)	4.21 x 2.38 x 0.98 in. (107 x 60 x 25 mm)	4.21 x 3.01 x 1.18 in. (107 x 76.4 x 30 mm)	8.37 x 1.7 x 1.14 in. (213 x 43 x 29 mm)	11.02 x 1.18 x 0.83 in. (280 x 30 x 21 mm)	14.17 x 1.18 x 0.83 in. (360 x 30 x 21 mm)

	FOR VARIABLE WHITE MODELS	FOR RGBW MODELS	
	0-10V DIMMABLE 90W VW/WD DRIVER*	5 CHANNEL DMX DECODER	24V NON-DIMMING UL LISTED ELECTRONIC DRIVERS*
Part Number	DRVRFWDVW2490120	DMXINF5	DRVW2496
Compatible Dimming	0-10 V	DIM/CT/RGB/RGBW/RGBWY	--
Output Voltage (VDC)	24 VDC	12-24 VDC	24 VDC
Output Wattage	90 W	--	96 W
Output Current	3.75 A	8 A/channel output (x 5 channels)	4.1 A
Input Voltage Range (VAC)	100 - 277 VAC	12-24 VDC	120 - 277 VAC
Input Frequency	50 / 60 Hz	--	50 / 60 Hz
Efficiency @ Max Load	89%	--	> 87% Max.
Operating Temperature	-86 - 104 °F (-20 - 50 °C)	-86 - 104 °F (-20 - 50 °C)	-13 - 104 °F (-25 - 40 °C)
Safety Standards	UL8750 + UL1310	CE, UL Recognized	UL, CLASS P
Dimensions (L x W x H)	8.4 x 4.1 x 1.5 in. (213 x 104 x 38 mm)	6.3 x 2.44 x 1.28 in. (160 x 62 x 32.6 mm)	12.1 x 2.36 x 1.4 in. (307 x 60 x 36 mm)

* To prevent exposure to the maximum allowable temperatures for these drivers, the suggested installation spacing between drivers is at least 4 in. (101.6 mm) side-to-side when the distance to the sidewall and top of the enclosure is 2 in. (50.8 mm). When the distance to the sidewall and top of the enclosure is 6 in. (152.4 mm), maintain at least 2 in. (50.8 mm) side-to-side spacing between drivers. Drivers should be placed at a minimum of 1 in. (25.4 mm) apart when arranging them end-to-end regardless of the enclosure size.

DRIVER MATRIX

Length	Current per ft (mA)	Current per meter (mA)	Max Current Driver (mA)	Driver Part Number	Region
LO (Low Output) up to 7 ft or 2.1 m	90	295	700	DRVCC25SS277010	Americas only
LO (Low Output) up to 7 ft or 2.1 m	90	295	700	DRVCC50DALIICH	Outside of Americas
LO (Low Output) up to 8 ft or 2.4 m	90	295	1400	DRVCC50SS277010	Americas only
LO (Low Output) up to 8 ft or 2.4 m	90	295	1400	DRVCC50DALIICH	Outside of Americas
SO (Standard Output) up to 3 ft or 1 m	225	738	700	DRVCC25SS277010	Americas only
SO (Standard Output) up to 3 ft or 1 m	225	738	700	DRVCC50DALIICH	Outside of Americas
SO (Standard Output) up to 6 ft or 1.5 m	225	738	1400	DRVCC50SS277010	Americas only
SO (Standard Output) up to 6 ft or 1.5 m	225	738	1400	DRVCC50DALIICH	Outside of Americas
SO (Standard Output) up to 8 ft or 2.4 m	225	738	2750	DRVCC95SS277010	Americas only
SO (Standard Output) up to 8 ft or 2.4 m	225	738	2750	DRVCC96DALIICH	Outside of Americas
HO (High Output) up to 2 ft or 0.5 m	325	1066	700	DRVCC25SS277010	Americas only
HO (High Output) up to 2 ft or 0.5 m	325	1066	700	DRVCC50DALIICH	Outside of Americas
HO (High Output) up to 4 ft or 1 m	325	1066	1400	DRVCC50SS277010	Americas only
HO (High Output) up to 4 ft or 1 m	325	1066	1400	DRVCC50DALIICH	Outside of Americas
HO (High Output) up to 8 ft or 2.4 m	325	1066	2750	DRVCC95SS277010	Americas only
HO (High Output) up to 8 ft or 2.4 m	325	1066	2750	DRVCC96DALIICH	Outside of Americas

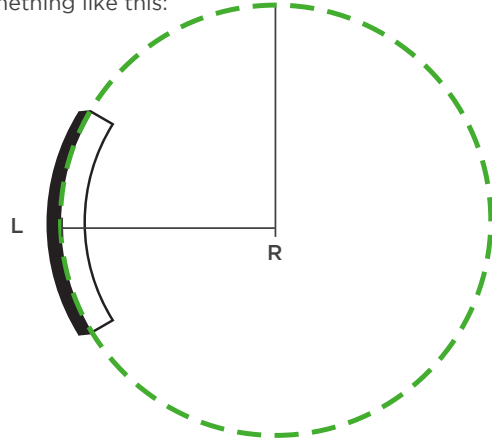
UNDERSTANDING THE MINIMUM BENDING RADIUS (MAXIMUM CURVATURE)

The bending radius of a curve is the radius of the circle that would exist if the curve were extended to form a circle.

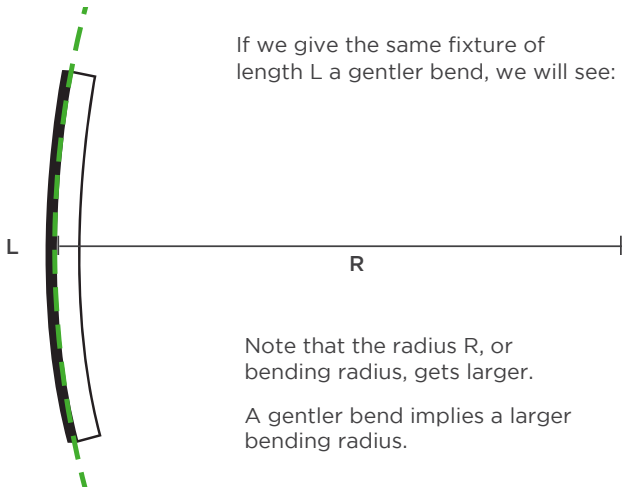
For example, we have a fixture of length L:



Let's bend this fixture.
If we extend this curve to form a circle, we will see something like this:



The radius R of that circle would be our curve's bending radius.

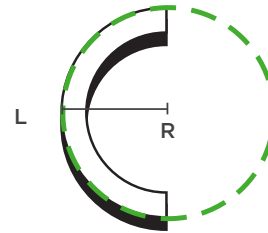


If we give the same fixture of length L a gentler bend, we will see:

Note that the radius R, or bending radius, gets larger.

A gentler bend implies a larger bending radius.

If we give the same fixture of length L a sharper bend, we will see:

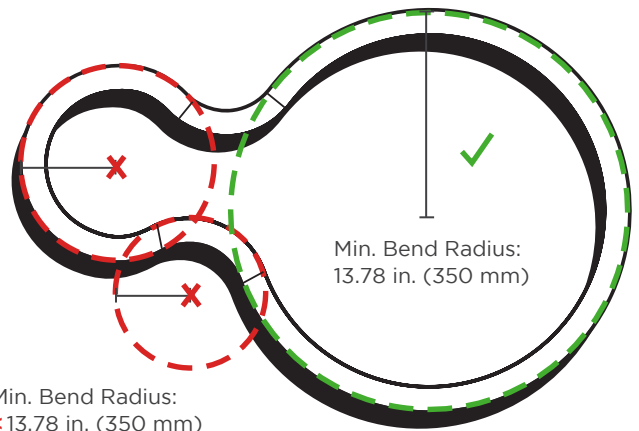


The radius R, or bending radius, gets smaller.
A sharper bend implies a smaller bending radius.

We define a fixture's minimum bending radius because of this relationship; some of our fixtures are limited by the sharpness of the specified bend. A fixture's minimum bending radius defines the sharpest curve it can make without jeopardizing the integrity of the LED performance.

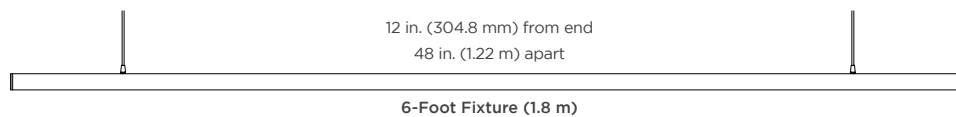
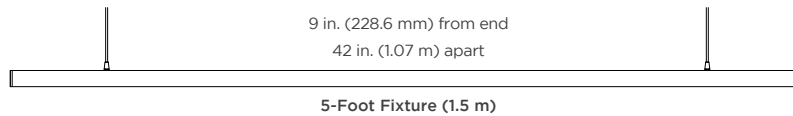
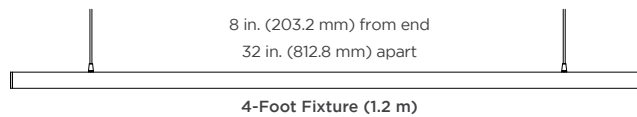
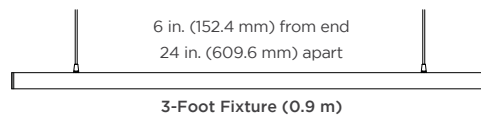
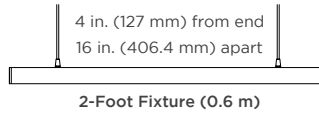
Scroll80S Pendants have a minimum bending radius of 13.78 in. (350 mm)

Minimum Bending Radius = Maximum Curvature



SUGGESTED SUSPENSION WIRE SEPARATED DISTANCES

SUGGESTED SUSPENSION WIRE SEPARATED DISTANCES



NOTE: Each section requires its own driver.

REV.22APR2026

GLOBAL HQ

320 Murray Hill Pkwy
East Rutherford, NJ 07073
U.S.
T: (+1) 212 629 6830
E: Sales-US@GENLEDBrands.com

EUROPEAN HQ

Hogeweyselaan 119
1382 JK Weesp
Netherlands
T: (+31) 346 235 000
E: SalesEurope@GENLEDBrands.com

MEINA HQ

PO Box 371378, #823, Building 4EA
Dubai Airport Free Zone
Dubai, UAE
T: (+971) 4 701 7901
E: SalesMEINA@genledebrands.com

ASIA-PACIFIC HQ

Room 402, Building D
Shenshi Tongchuang Science and Technology Park
No. 16 Hongyin Road
Xingqiang Community, Xihu Street
Guangming District, Shenzhen, China 518107
T: (+86) 755 8529 0710
E: Sales-Pacific@GENLEDBrands.com