

RGBW FLEXRAYZ NEON

FlexRayz Neon from AgiLight offers a versatile approach to border tube that eliminates light gaps. A side-bending LED neon that provides an excellent solution for linear façade lighting in curved or straight runs, RGBW FlexRayz lets you tune your light to any of 16 million custom colors. Rated IP67 for use in damp and wet locations. FlexRayz products are designed to bend; use Aluminum Mounting Channel for straight run applications.



Applications:

- Borders and edges in signs and facades
- Neon replacements
- Cove and Accent lighting

Features:

- Available in pre-assembled 2 ft (0.61 m) or 8 ft (2.44 m) lengths or sold in full reels of 16.4 ft (5 m)
- Full reels can be cut and finished with an end cap; new power feeds cannot be introduced in the field
- 5.5 W/ft (18.04 W/m), 24 V DC
- RGB+6500K (4000K, 5000K upon request)
- 3.28 in. (83.3 mm) cut lengths
- 110x250° beam angle
- Use Aluminum Mounting Channel for straight runs
- Use S-type Track or Aluminum Mounting Clips for curves
- Saltwater, solvent, and flame resistant
- IP67 ; IK08 impact protection
- Consistent brightness with constant current design
- Minimum bend diameter of 2 in. (50 mm)



ORDERING GUIDE

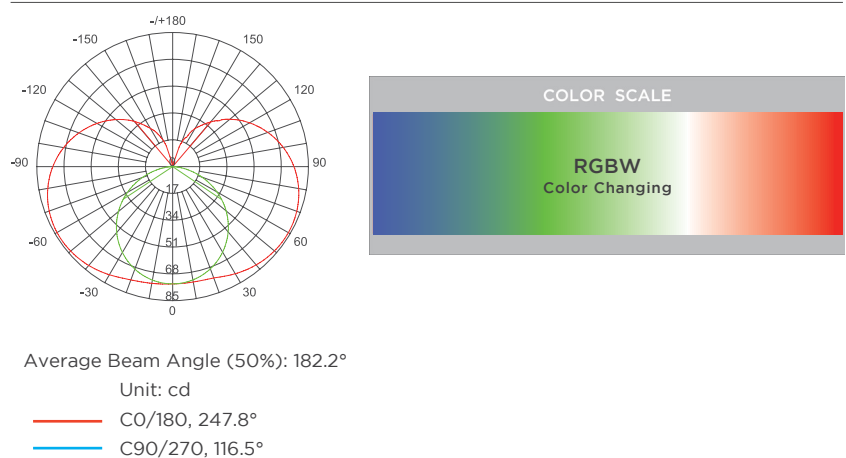
Part Number	Length	Color	Lumens				
			All LEDs On	Red	Green	Blue	White
LB-FRN-RGBW65-2-A	2 ft / 0.61 m						
LB-FRN-RGBW65-8-A	8 ft / 2.44 m	RGB+6500K	55 lm/ft (180.4 lm/m)	7 lm/ft (23 lm/m)	19 lm/ft (62.3 lm/m)	3 lm/ft (9.8 lm/m)	25 lm/ft (82 lm/m)
LB-FRN-RGBW65-16-A	16 ft 4 in. / 5 m						
LB-FRN-RGBW50-2-A*	2 ft / 0.61 m						
LB-FRN-RGBW50-8-A*	8 ft / 2.44 m	RGB+5000K	55 lm/ft (180.4 lm/m)	7 lm/ft (23 lm/m)	19 lm/ft (62.3 lm/m)	3 lm/ft (9.8 lm/m)	25 lm/ft (82 lm/m)
LB-FRN-RGBW50-16-A*	16 ft 4 in. / 5 m						
LB-FRN-RGBW40-2-A*	2 ft / 0.61 m						
LB-FRN-RGBW40-8-A*	8 ft / 2.44 m	RGB+4000K	55 lm/ft (180.4 lm/m)	7 lm/ft (23 lm/m)	19 lm/ft (62.3 lm/m)	3 lm/ft (9.8 lm/m)	25 lm/ft (82 lm/m)
LB-FRN-RGBW40-16-A*	16 ft 4 in. / 5 m						

* Special order only

SPECIFICATIONS

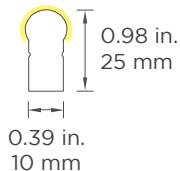
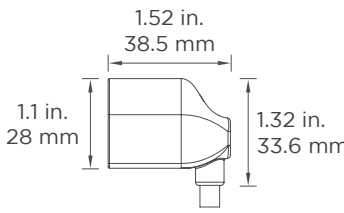
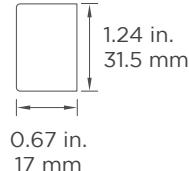
Input Voltage	24 V DC
Power Consumption	5.5 W/ft (18.04 W/m)
Color	RGB+6500K (special orders for RGB+5000K and RGB+4000K)
Cutable Length	3.28 in. (83.3 mm)
Max. Length	16.4 ft (5 m)
Available Lengths	2 ft (0.61 m) 8 ft (2.44 m) 16.4 ft (5 m)
Min. Bending Diameter	2 in. (50 mm)
Ingress Protection	IP67
Impact Protection Rating	IK08
L70 Lifetime @ 60° C	50,000 Hours
Warranty	5 Year Limited Warranty

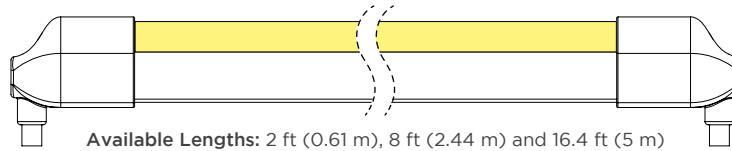
LUMINOUS INTENSITY DISTRIBUTION



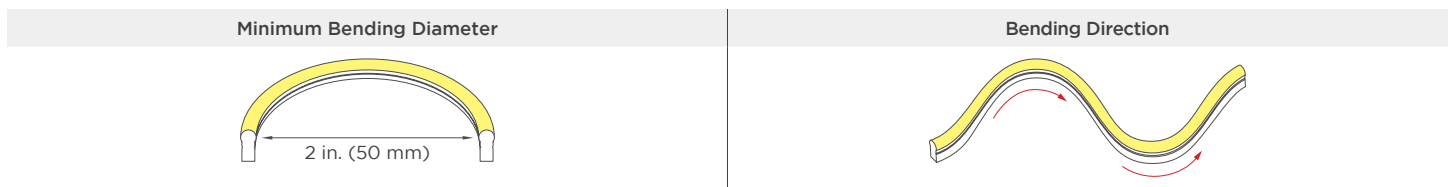
REV.21DEC2022

DIMENSIONS


	FlexRayz Neon	Front Bottom Feed End Cap	Closing End Cap (part #: LB-FRN-CAP)
			
Length	2 ft (0.61 m), 8 ft (2.44 m), and 16.4 ft (5 m)	1.52 in. (38.5 mm)	0.63 in. (16 mm)
Width	0.39 in. (10 mm)	0.52 in. (13.2 mm)	0.67 in. (17 mm)
Height	0.98 in. (25 mm)	1.32 in. (33.6 mm)	1.24 in. (31.5 mm)



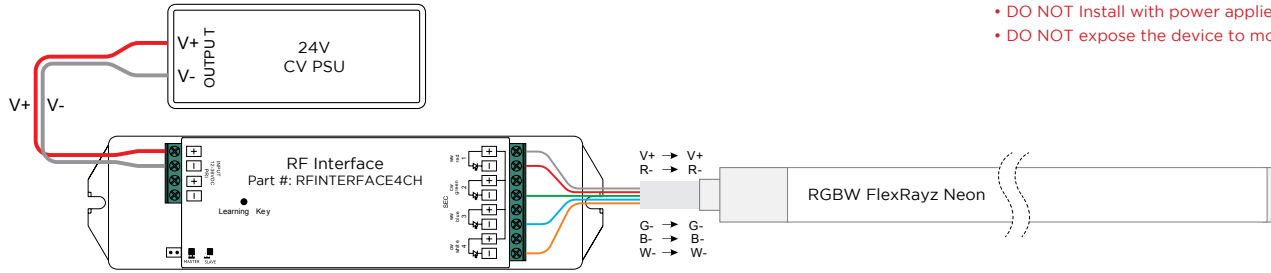
RGBW FlexRayz Neon if cut						
Standard Length (ft)	Actual Light Length		Actual Length with End Caps		Channel Cut Length	
	(ft)	(m)	(ft)	(m)	(ft)	(m)
Single End Feed						
2	1.91	0.58	1.99	0.61	1.76	0.54
8	7.93	2.42	8	2.44	7.77	2.37
16	15.85	4.83	15.93	4.85	15.7	4.79
Double End Feed						
2	1.91	0.58	2.07	0.63	1.76	0.54
8	7.93	2.42	8.08	2.46	7.77	2.37
16	15.85	4.83	16	4.88	15.7	4.79



ACCESSORIES

	Closing End Cap	Aluminum Mounting Clip for mounting in curved sections only	S-type Track for mounting in curved sections	Aluminum Channel for mounting in straight sections	0.5 in. Standoff for mounting above facade surface	Silicone Glue
						 300g/pc
Part No.	LB-FRN-CAP	LB-FRN-CLIPMNT	LB-FRN-CRVMNT	LB-FRN-CHMNT	LB-FRN-STDOFF	LB-FRN-SILGLUE
Length	0.63 in. (16 mm)	0.98 in. (25 mm)	19.7 in. (500 mm)	39.4 in. (1000 mm)	0.38 in. (9.5 mm)	--
Width	0.67 in. (17 mm)	0.48 in. (12.3 mm)	0.43 in. (11 mm)	0.48 in. (12.3 mm)	0.38 in. (9.5 mm)	--
Height	1.24 in. (31.5 mm)	0.67 in. (17 mm)	0.67 in. (17 mm)	0.67 in. (17 mm)	0.5 in. (12.7 mm)	--

WIRELESS RF



WARNING

- DO NOT Install with power applied to device
- DO NOT expose the device to moisture

Pairing with RF Remote

- Complete wiring according to wiring diagrams above.
- Pair RF Interface with RF Remote: Please refer to the instructions for the RF Remote you would like to pair with.
- Reset Pairing:
 1. Connect the RF Interface with power source (see wiring diagrams above).
 2. Press and hold down the "Learning Key" button on the RF Interface for over 3 seconds until the connected light flashes.



RGBW RF Remote
 Part #: RFREMOTERGBW4Z



RF to WiFi Converter
 (WiFi Control)
 Part #: RFWIFICONVERT

Primary and replica setting

1. The RF Interface has both primary and replica functions which can be set with a jumper. Covering both pins will set the RF Interface as the primary and covering one pin will set the RF Interface as the replica, or secondary function. Once you have set the jumper, please power off and power on the RF Interface to enable primary functions. Primary and replica settings enable perfect synchronization of color changing effects.
2. Set one RF Interface as the primary and pair it to any zone of a remote, and this zone will only have one RF Interface which works as the primary. Set all other RF Interfaces as replicas and pair them to other zones of the remote (multiple RF Interfaces can be paired to each zone). Then choose all zones on the remote and play the color changing effects. The primary will send a sync signal to the replicas to achieve perfect synchronization. The maximum sync distance between the primary and any replica is within 100 feet (30 meters).
 (Use of the terms primary and replica settings refer to the traditional 'master/slave' architecture used in the electronics industry.)

DMX

FLEXRAYZ NEON WIRE COLORS

- Black (+) Positive
- Red Wire (-) goes to Red Channel
- Green Wire (-) goes to Green Channel
- Blue Wire (-) goes to Blue Channel
- White Wire (-) goes to White Channel

