



RGBW FLEXRAYZ NEON

FlexRayz Neon from AgiLight offers a versatile approach to border tube that eliminates light gaps. A side-bending LED neon that provides an excellent solution for linear façade lighting in curved or straight runs, RGBW FlexRayz lets you tune your light to any of 16 million custom colors. Rated IP67 for use in damp and wet locations. FlexRayz products are designed to bend; use Aluminum Mounting Channel for straight run applications.



Applications:

- Borders and edges in signs and facades
- Neon replacements
- Cove and Accent lighting

Features:

- Available in pre-assembled 2 ft (0.61 m) or 8 ft (2.44 m) lengths or sold in full reels of 16.4 ft (5 m)
- Full reels can be cut and finished with an end cap; new power feeds cannot be introduced in the field
- 5.5 W/ft (18.04 W/m), 24 VDC
- RGB+6500K (4000K, 5000K upon request)
- 3.28 in. (83.3 mm) cut lengths
- 110x250° beam angle
- Use Aluminum Mounting Channel for straight runs
- Use S-type Track or Aluminum Mounting Clips for curves
- UV protected; saltwater, solvent & flame resistant
- IP67 ; IK08 impact protection
- Consistent brightness with constant current design
- Minimum bend radius of 1 in. (25 mm)



ORDERING GUIDE

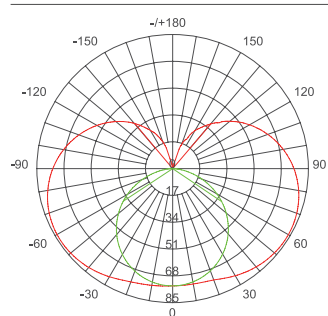
Part Number	Length	Color	Lumens				
			All LEDs On	Red	Green	Blue	White
LB-FRN-RGBW65-2-A	2 ft / 0.61 m						
LB-FRN-RGBW65-8-A	8 ft / 2.44 m	RGB+6500K	55 lm/ft (180.4 lm/m)	7 lm/ft (23 lm/m)	19 lm/ft (62.3 lm/m)	3 lm/ft (9.8 lm/m)	25 lm/ft (82 lm/m)
LB-FRN-RGBW65-16-A	16 ft 4 in. / 5 m						
LB-FRN-RGBW50-2-A*	2 ft / 0.61 m						
LB-FRN-RGBW50-8-A*	8 ft / 2.44 m	RGB+5000K	55 lm/ft (180.4 lm/m)	7 lm/ft (23 lm/m)	19 lm/ft (62.3 lm/m)	3 lm/ft (9.8 lm/m)	25 lm/ft (82 lm/m)
LB-FRN-RGBW50-16-A*	16 ft 4 in. / 5 m						
LB-FRN-RGBW40-2-A*	2 ft / 0.61 m						
LB-FRN-RGBW40-8-A*	8 ft / 2.44 m	RGB+4000K	55 lm/ft (180.4 lm/m)	7 lm/ft (23 lm/m)	19 lm/ft (62.3 lm/m)	3 lm/ft (9.8 lm/m)	25 lm/ft (82 lm/m)
LB-FRN-RGBW40-16-A*	16 ft 4 in. / 5 m						

* Special order only

SPECIFICATIONS

Input Voltage	24 V DC
Power Consumption	5.5 W/ft (18.04 W/m)
Color	RGB+6500K (special orders for RGB+5000K and RGB+4000K)
Cutable Length	3.28 in. (83.3 mm)
Max. Length	16.4 ft (5 m)
Available Lengths	2 ft (0.61 m) 8 ft (2.44 m) 16.4 ft (5 m)
Min. Bending Radius	1 in. (25 mm)
Ingress Protection	IP67
Impact Protection Rating	IK08
L70 Lifetime @ 60 °C	50,000 hours
Warranty	5-year limited warranty

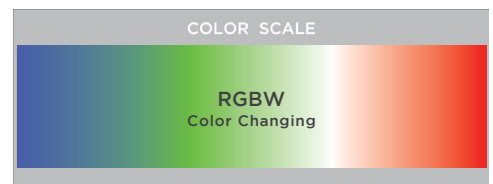
LUMINOUS INTENSITY DISTRIBUTION



Average Beam Angle (50%): 182.2°

Unit: cd

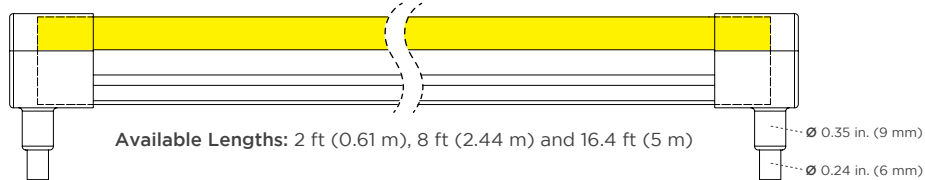
- C0/180, 247.8°
- C90/270, 116.5°





DIMENSIONS

	FlexRayz Neon	Front Bottom Feed End Cap	Closing End Cap (part #: LB-FRN-CAP)
Length	2 ft (0.61 m), 8 ft (2.44 m), and 16.4 ft (5 m)	0.94 in. (24 mm)	0.94 in. (24 mm)
Width	0.55 in. (14 mm)	0.55 in. (14 mm)	0.55 in. (14 mm)
Height	1.06 in. (27 mm)	1.54 in. (39 mm)	1.06 in. (27 mm)



RGBW FlexRayz Neon if cut						
Standard Length (ft)	Actual Light Length		Actual Length with End Caps		Channel Cut Length	
	(ft)	(m)	(ft)	(m)	(ft)	(m)
Single End Feed						
2	1.91	0.58	1.99	0.61	1.76	0.54
8	7.93	2.42	8	2.44	7.77	2.37
16	15.85	4.83	15.93	4.85	15.7	4.79
Double End Feed						
2	1.91	0.58	2.07	0.63	1.76	0.54
8	7.93	2.42	8.08	2.46	7.77	2.37
16	15.85	4.83	16	4.88	15.7	4.79

Minimum Bending Radius	Bending Direction

ACCESSORIES

	Closing End Cap	Aluminum Mounting Clip for mounting in curved sections only	S-type Track for mounting in curved sections	Aluminum Channel for mounting in straight sections	0.5 in. Standoff for mounting above facade surface	Silicone Glue
Part No.	LB-FRN-CAP	LB-FRN-CLIPMNT	LB-FRN-CRVMNT	LB-FRN-CHMNT	LB-FRN-STDOFF	LB-FRN-SILGLUE
Length	0.63 in. (16 mm)	0.98 in. (25 mm)	19.7 in. (500 mm)	39.4 in. (1000 mm)	0.38 in. (9.5 mm)	--
Width	0.67 in. (17 mm)	0.48 in. (12.3 mm)	0.43 in. (11 mm)	0.48 in. (12.3 mm)	0.38 in. (9.5 mm)	--
Height	1.24 in. (31.5 mm)	0.67 in. (17 mm)	0.67 in. (17 mm)	0.67 in. (17 mm)	0.5 in. (12.7 mm)	--



POWER SUPPLY LOADING

Product	Power Supply (W)	Max. # of ft/m in a continuous run	Total # of ft/m per power supply NOT in a continuous run
RGBW FlexRayz Neon	60	9.8 / 3	9.8 / 3
	100	16.4 / 5	16.4 / 5
	300	3 outputs: 16.4 / 5 per output	49.1 / 15 (3 outputs: 16.4 / 5 per output)

AVAILABLE POWER SUPPLIES



**30W 24V
POWER SUPPLY**
Part #: PS24-30W-GN
Article #: 28000516A



**100W 24V
POWER SUPPLY**
Part #: PS24-100W-GN
Article #: 28000513A



**60W 24V
POWER SUPPLY**
Part #: PS24-60W-GN
Article #: 28000512A



**300W 24V
POWER SUPPLY**
Part #: PS24-300W-3-GN
Article #: 28000514A

AVAILABLE CONTROLS



**GLASS TOUCH
WALL CONTROLLERS**
Part #: AWCRGBWWBK



**5 ZONE
WALL CONTROLLER**
Part #: DMXCTRL



**10 ZONE
WALL CONTROLLER**
Part #: DMXCTRLD



**5 CHANNEL
DMX INTERFACE**
Part #: DMXINFOLED5



**4 CHANNEL WATERPROOF
DMX INTERFACE**
Part #: DMXINFWLCD4



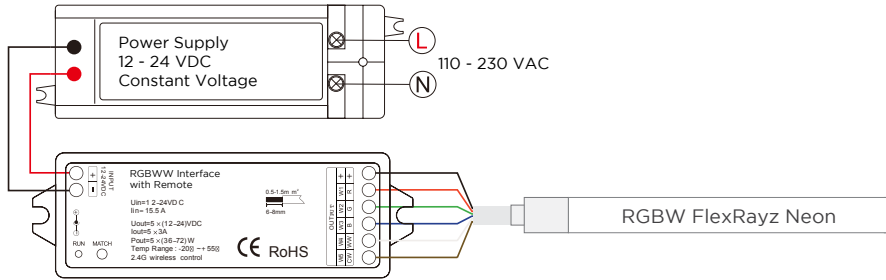
**4 ZONE RGBW
RF REMOTE**
Part #: RFREMOTERGBW4Z



**4 CHANNEL
RF INTERFACE**
Part #: RFINTERFACE4CH

CONNECTIONS

WIRELESS RF



WARNING

- DO NOT Install with power applied to device
- DO NOT expose the device to moisture



PROGRAMMING GUIDE

Use the Match key

1. Match:

Quickly press the Interface match key. Within 5 seconds, press the Remote On/Off key

2. Delete:

Press the Interface match key for 5 seconds to delete any matched Remotes.

Power-up

1. To match:

Switch the power off, then on. Within 5 seconds, quickly press the On/Off key on the Remote 3 times. When the light blinks 3 times, the match is confirmed.

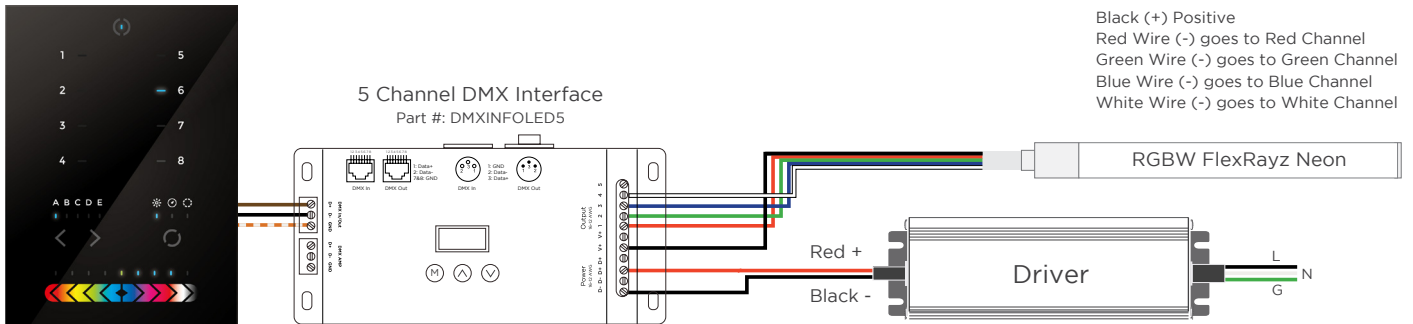
2. To delete:

Switch the power off, then on. Within 5 seconds, quickly press the On/Off key on the Remote 5 times. When the light blinks 5 times, the match is deleted.

DMX

FLEXRAYZ NEON WIRE COLORS

- Black (+) Positive
- Red Wire (-) goes to Red Channel
- Green Wire (-) goes to Green Channel
- Blue Wire (-) goes to Blue Channel
- White Wire (-) goes to White Channel



GLOBAL HQ

320 Murray Hill Pkwy
East Rutherford, NJ 07073
T: (+1) 212 629 6830
E: Sales-US@GENLEDBrands.com

EUROPEAN HQ

De Corridor 16K
3621ZB Breukelen
Netherlands
T: (+31) 346 235 000
E: SalesEurope@GENLEDBrands.com

MEINA HQ

PO Box 371378, #823, Building 4EA
Dubai Airport Free Zone, Dubai, UAE
T: (+971) 4 701 7901
E: SalesMEINA@genledbrands.com

ASIA-PACIFIC HQ

Room 402, Building D
Shenshi Tongchuang Science and Technology Park
No. 16 Hongyin Road
Xingqiang Community, Xinhui Street
Guangming District, Shenzhen, China 518107
Sales: (+86) 139 1836 3905
Office: (+86) 755 8529 0710
E: Sales-Pacific@GENLEDBrands.com

 [linkedin.com/company/agilight-inc.](https://www.linkedin.com/company/agilight-inc.)

 facebook.com/AgiLightLED

 instagram.com/agilightled