

DIRECT AC CHANNELS

Direct AC Channels are used to hold our Direct AC RibbonLyte products in place. Direct AC Aluminum Channel offers a full custom fit with finished end caps and the choice of a flat milky lens or square (raised) milky lens for premium LED diffusion. We recommend using the Direct AC Aluminum Channel for visible Direct AC fixtures. Direct AC Mounting Channel is an open PVC channel that provides incredible friction-fit stability and allows maximum light output in applications such as hidden coves.

Direct AC Aluminum Channel with Square Milky lens

- 0.79 in. (20.1 mm) wide by 1.23 in. (31.2 mm) high
- Provides premium diffusion -- no visible diodes

Direct AC Aluminum Channel with Flat Milky lens

- 0.79 in. (20.1 mm) wide by 0.73 in. (18.5 mm) high
- Provides some diffusion - partially visible diodes

Direct AC Mounting Channel

- 0.72 in. (18.4 mm) wide by 0.41 in. (10.3 mm) high
- Provides no diffusion - fully visible diodes



HOUSING FINISH



Silver

LENS FINISHES



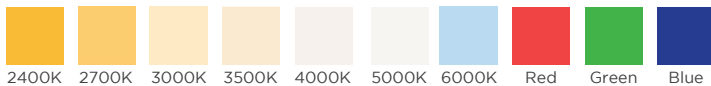
Flat Milky Lens
75% Light Transmission



Square Milky Lens
70% Light Transmission

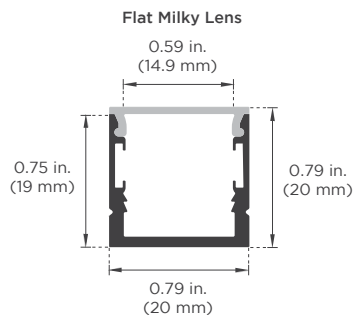
Note: Lenses only available for aluminum channel

AVAILABLE COLORS & COLOR TEMPERATURES

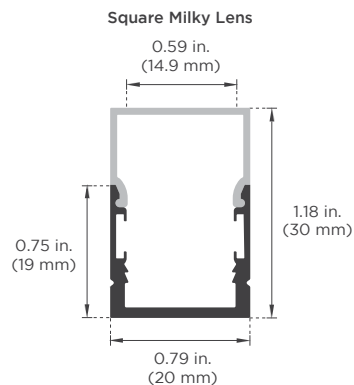


DIMENSIONS

Direct AC Aluminum Channel

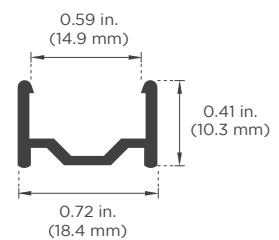


Width: 0.79 in. (20 mm)
Internal width: 0.59 in. (14.9 mm)
Height: in. (8.3 mm)



Width: 0.79 (20 mm)
Internal width: 0.59 in. (14.9 mm)
Height: 1.18 in. (30 mm)

Direct AC Mounting Channel



Width: 0.72 in. (18.4 mm)
Internal width: 0.59 in. (14.9 mm)
Height: 0.41 in. (10.3 mm)

Note:

Exterior channel applications should be securely attached to the mounting surface with appropriate screws and/or liquid nails. Acolyte strongly recommends field assembly for exterior applications. Use mounting clips for interior applications only.

SPECIFICATIONS

Beam Angle	120°
Lens Type	Flat Milky Lens, Square Milky Lens (aluminum channel only)
Length	Channel is sold by the foot and cut to your exact desired length. Required amount of mounting clips included.
Operating Voltage	120 VAC
Dimming	Dimmable with Lutron Phase-Adaptive Power Module PHPM
Operating Temperature	-4° F - 113° F (-20° C - 45° C)
Colors	2400K, 2700K, 3000K, 3500K, 4000K, 5000K, 6000K, Red, Green, Blue
CRI	90+ CRI (Static white only)
Lamp Life	L70 at 50,000 Hours
MacAdam Ellipses (SDCM)	2-Step Binning (For Static White LEDs only)
Certifications	ETL Listed: UL 2108 Issued: 2004/02/27 Ed: 1 Rev: 2014/02/24 Low Voltage Lighting Systems CSA C22.2#9.0 Issued: 1996/06/01 Ed: 1 (R2011) General Requirements for Luminaires; with Gen. Inst. 1: 1997, Gen Inst. 2: 1998. ROHS compliant UL 2108 - Low Voltage Lighting Systems UL 8750 - Light Emitting Diode (LED) Equipment for Use in Lighting Products UL 1598 / CSA 250.0-08 - Luminaires

AVAILABLE CONTROLLERS

LUTRON DIVA 3-WIRE DIMMER	LUTRON NOVA T 3-WIRE DIMMER	LUTRON MAESTRO 3-WIRE DIMMER
		
Part No.: RBACDIMDIVA	Part No.: RBACDIMNOVAT	Part No.: RBACDMIMMAES
Width: 2.94 In (75 Mm) Length: 4.69 In (120 Mm) Depth: 0.30 In (7.6 Mm)	Width: 2.75 in (70 mm) Length: 4.56 in (116 mm) Depth: 0.30 in (7.6 mm)	Width: 2.94 in (75 mm) Length: 4.69 in (120 mm) Depth: 0.30 in (7.6 mm)
<ul style="list-style-type: none"> • Use with Lutron Phase - Adaptive Power Module • Large paddle switch with a captive linear-slide dimmer • Available in white finish 	<ul style="list-style-type: none"> • Slide adjusts brightness and On/Off control • Available in white finish 	<ul style="list-style-type: none"> • Use with Lutron Phase Adaptive Power Module • Large paddle switch with a captive linear-slide dimmer • Available in white finish
* Requires Lutron Adaptive Power Module (Shown Below)	* Requires Lutron Adaptive Power Module (Shown Below)	* Requires Lutron Adaptive Power Module (Shown Below)

LUTRON ADAPTIVE POWER MODULE



Part No.: RBACPHPM1203W

Width: 6.30 In (160 Mm)
Length: 5.10 In (130 Mm)
Depth: 2.60 In (62 Mm)

- Use for 3-wire fluorescent dimmers
- Load current capacity up to 16A
- Available in White finish

ORDERING GUIDE

STEP 1 Complete Channel Part Number

- CHDACSVSM - Direct AC Aluminum Channel with Flat Milky Lens
- CHDACSVSM - Direct AC Aluminum Channel with Square Milky Lens
- CHDACPSWSC - Direct AC Mounting Channel

STEP 2 Complete RibbonLyte Part Number

Category	CRI	Ribbon Type & IP Rating	Wattage + Color		
RB		AC12065			
RB - RibbonLyte	90 - 90+ CRI Static White 0 - 0 Static Colors	AC12065 - Direct AC 120V IP65	4.024 - 4.0 2400K 4.027 - 4.0 2700K 4.030 - 4.0 3000K 4.035 - 4.0 3500K	4.040 - 4.0 4000K 4.050 - 4.0 5000K 4.060 - 4.0 6000K	2.5R - 2.5 Red 2.5G - 2.5 Green 2.5B - 2.5 Blue

NOTE: To ensure waterproofing standards are met, IP65 RibbonLyte can NOT be cut in the field.

STEP 3 Complete Assembly Option & Length

ASSEMBLY OPTION: LENGTH (Standard factory assembled length up to 78 in. / 2 m):

- FI - Field Assembly
- FA - Factory Assembly* * Factory assembly is not recommended for exterior applications

RIBBONLYTE SPECIFICATIONS & COMPATIBILITY

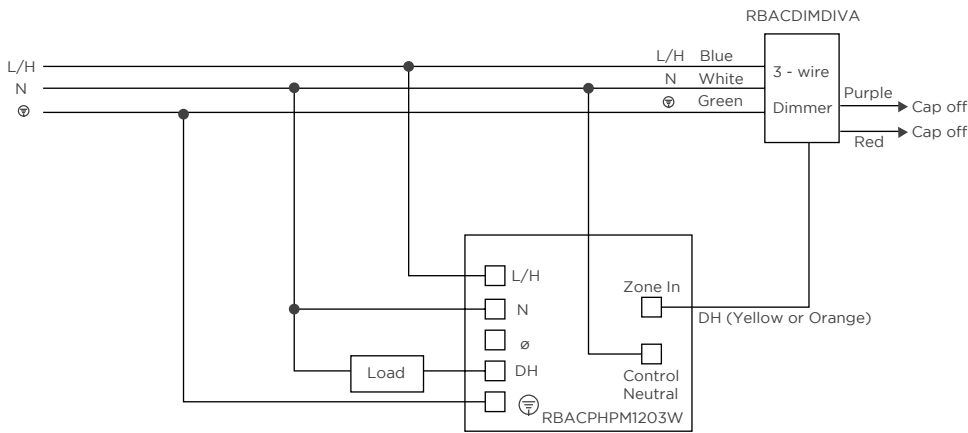
Available Wattages	Cuttable Length	LED Pitch	Color Temp.	lm/w Without Lens / Mounting Channel	Delivered Lumens (lm/ft / lm/m)		Max Length	IP65
					with Flat Milky Lens	with Square Lens		
Static White Direct AC RibbonLyte	4 in. (101.6 mm)	18 LEDs/ft (60 LEDs/m)	2400K	265	186 / 609	186 / 609	164 ft (50 m)	✓
			2700K	275	192 / 630	192 / 630		
			3000K	291	204 / 669	204 / 669		
			3500K	311	218 / 714	218 / 714		
			4000K	308	216 / 708	216 / 708		
			5000K	307	215 / 705	215 / 705		
Static Color Direct AC RibbonLyte	4 in. (101.6 mm)	44 LEDs/ft (144 LEDs/m)	Red	20	14 / 46	14 / 46	164 ft (50 m)	✓
			Green	77	54 / 177	54 / 177		
			Blue	21	15 / 48	15 / 48		

DIODE VISIBILITY CHART (Data below applies to installations with aluminum channel with Flat Milky Lens)

No Visible Diode = N		With Visible Diode = Y	
Direct AC Aluminum Channel with Flat Milky Lens		Direct AC Aluminum Channel with Square Milky Lens	
Static White Direct AC	Static Color Direct AC	Static White Direct AC	Static Color Direct AC
Y	Y	N	N

DIMMING SYSTEM WIRING DIAGRAM

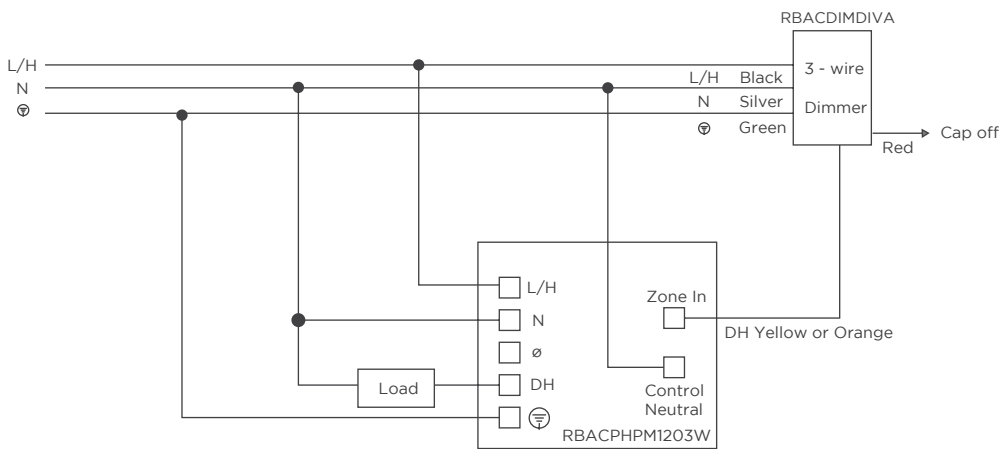
ADAPTIVE POWER MODULE (RBACPHPM1203W) WITH 3-WIRE DIVA DIMMER (RBACDIMDIVA)



LEGEND

- L/H - Line/Hot
- N - Neutral
- ∅ - Not Used
- DH - Dimmed Hot
- SH - Switched Hot
- ⊕ - Ground

ADAPTIVE POWER MODULE (RBACPHPM1203W) WITH 3-WIRE NOVA T DIMMER (RBACDIMNOVAT)



ADAPTIVE POWER MODULE (RBACPHPM1203W) WITH 3-WIRE MAESTRO DIMMER (RBACDIMMAES)

