

DIRECT AC CHANNELS

Direct AC Channels are used to hold our Direct AC RibbonLyte products in place. Direct AC Aluminum Channel offers a full custom fit with finished end caps and the choice of a flat milky lens or square (raised) milky lens for premium LED diffusion. We recommend using the Direct AC Aluminum Channel for visible Direct AC fixtures. Direct AC Mounting Channel is an open PVC channel that provides incredible friction-fit stability and allows maximum light output in applications such as hidden coves.

Direct AC Aluminum Channel with Square Milky lens

- 0.79 in. (20.1 mm) wide by 1.23 in. (31.2 mm) high
- Provides premium diffusion -- no visible diodes

Direct AC Aluminum Channel with Flat Milky lens

- 0.79 in. (20.1 mm) wide by 0.73 in. (18.5 mm) high
- Provides some diffusion - partially visible diodes

Direct AC Mounting Channel

- 0.72 in. (18.4 mm) wide by 0.41 in. (10.3 mm) high
- Provides no diffusion - fully visible diodes



HOUSING FINISH



Silver

LENS FINISHES



Flat Milky Lens
75% Light Transmission



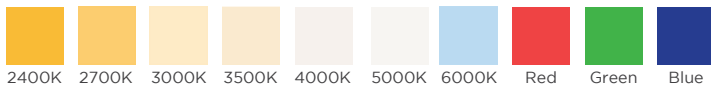
Square Milky Lens*
70% Light Transmission

Note: Lenses only available for aluminum channel
* For interior applications only



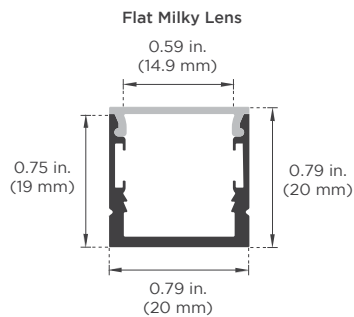
RoHS

AVAILABLE COLORS & COLOR TEMPERATURES

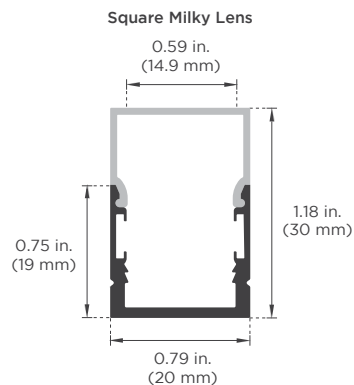


DIMENSIONS

Direct AC Aluminum Channel

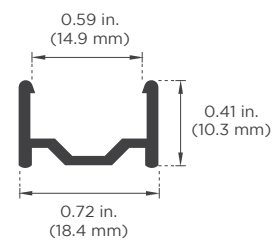


Width: 0.79 in. (20 mm)
Internal width: 0.59 in. (14.9 mm)
Height: in. (8.3 mm)



Width: 0.79 (20 mm)
Internal width: 0.59 in. (14.9 mm)
Height: 1.18 in. (30 mm)

Direct AC Mounting Channel



Width: 0.72 in. (18.4 mm)
Internal width: 0.59 in. (14.9 mm)
Height: 0.41 in. (10.3 mm)

Note:

Exterior channel applications should be securely attached to the mounting surface with appropriate screws and/or liquid nails. Acolyte strongly recommends field assembly for exterior applications. Use mounting clips for interior applications only.

SPECIFICATIONS

| | |
|-------------------------------|--|
| Beam Angle | 120° |
| Lens Type | Flat Milky Lens, Square Milky Lens (aluminum channel only) |
| Length | Channel is sold by the foot and cut to your exact desired length. Required amount of mounting clips included. |
| Operating Voltage | 120 VAC |
| Dimming | Dimmable with Lutron Phase-Adaptive Power Module PHPM |
| Operating Temperature | -4 – 113 °F (-20 – 45 °C) |
| Colors | 2400K, 2700K, 3000K, 3500K, 4000K, 5000K, 6000K, Red, Green, Blue |
| CRI | 90+ CRI (Static white only) |
| Lamp Life | L70 at 50,000 hours |
| MacAdam ellipse (SDCM) | 2-Step Binning (For Static White LEDs only) |
| Certifications | ETL Listed: UL 2108 Issued: 2004/02/27 Ed: 1 Rev: 2014/02/24 Low Voltage Lighting Systems CSA C22.2#9.0 Issued: 1996/06/01 Ed: 1 (R2011) General Requirements for Luminaires; with Gen. Inst. 1: 1997, Gen Inst. 2: 1998. ROHS compliant UL 2108 - Low Voltage Lighting Systems UL 8750 - Light Emitting Diode (LED) Equipment for Use in Lighting Products UL 1598 / CSA 250.0-08 - Luminaires |

ORDERING GUIDE

STEP 1 Complete Channel Part Number

- CHDACSVSM - Direct AC Aluminum Channel with Flat Milky Lens
- CHDACSVSM - Direct AC Aluminum Channel with Square Milky Lens*
- CHDACPSWSC - Direct AC Mounting Channel

*For interior applications only

STEP 2 Complete RibbonLyte Part Number

| Category | CRI | Ribbon Type & IP Rating | Wattage + Color | | |
|-----------------|--|-------------------------------|--|---|---|
| RB | | AC12065 | | | |
| RB - RibbonLyte | 90 - 90+ CRI Static White 0 - 0 Static Colors | AC12065 - Direct AC 120V IP65 | 4.024 - 4.0 2400K 4.027 - 4.0 2700K 4.030 - 4.0 3000K 4.035 - 4.0 3500K | 4.040 - 4.0 4000K 4.050 - 4.0 5000K 4.060 - 4.0 6000K | 2.5R - 2.5 Red 2.5G - 2.5 Green 2.5B - 2.5 Blue |

NOTE: To ensure waterproofing standards are met, IP65 RibbonLyte can NOT be cut in the field.

STEP 3 Complete Assembly Option & Length

| ASSEMBLY OPTION | LENGTH (Standard factory assembled length up to 78 in. / 2 m) |
|----------------------|---|
| <input type="text"/> | <input type="text"/> |

- FI - Field Assembly
- FA - Factory Assembly* * Factory assembly is not recommended for exterior applications

RIBBONLYTE SPECIFICATIONS & COMPATIBILITY

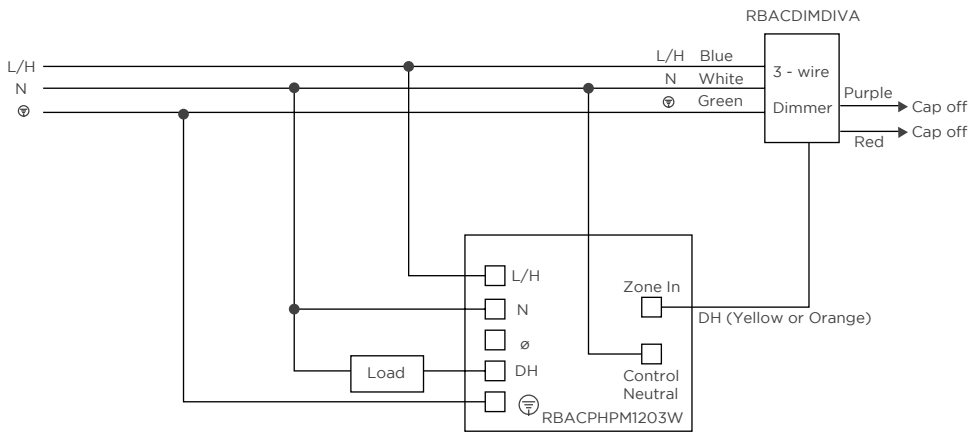
| Available Wattages | Cutttable Length | LED Pitch | Color Temp. | lm/w Without Lens / Mounting Channel | Delivered Lumens (lm/ft / lm/m) | | Max Length | IP65 |
|-----------------------------------|------------------|-------------------------|-------------|--------------------------------------|---------------------------------|------------------|---------------|------|
| | | | | | with Flat Milky Lens | with Square Lens | | |
| Static White Direct AC RibbonLyte | 4 in. (101.6 mm) | 18 LEDs/ft (60 LEDs/m) | 2400K | 265 | 186 / 609 | 186 / 609 | 164 ft (50 m) | ✓ |
| | | | 2700K | 275 | 192 / 630 | 192 / 630 | | |
| | | | 3000K | 291 | 204 / 669 | 204 / 669 | | |
| | | | 3500K | 311 | 218 / 714 | 218 / 714 | | |
| | | | 4000K | 308 | 216 / 708 | 216 / 708 | | |
| | | | 5000K | 307 | 215 / 705 | 215 / 705 | | |
| Static Color Direct AC RibbonLyte | 4 in. (101.6 mm) | 44 LEDs/ft (144 LEDs/m) | Red | 20 | 14 / 46 | 14 / 46 | 164 ft (50 m) | ✓ |
| | | | Green | 77 | 54 / 177 | 54 / 177 | | |
| | | | Blue | 21 | 15 / 48 | 15 / 48 | | |

DIODE VISIBILITY CHART (Data below applies to installations with aluminum channel with Flat Milky Lens)

| No Visible Diode = N | | With Visible Diode = Y | |
|---|------------------------|---|------------------------|
| Direct AC Aluminum Channel with Flat Milky Lens | | Direct AC Aluminum Channel with Square Milky Lens | |
| Static White Direct AC | Static Color Direct AC | Static White Direct AC | Static Color Direct AC |
| Y | Y | N | N |

DIMMING SYSTEM WIRING DIAGRAM

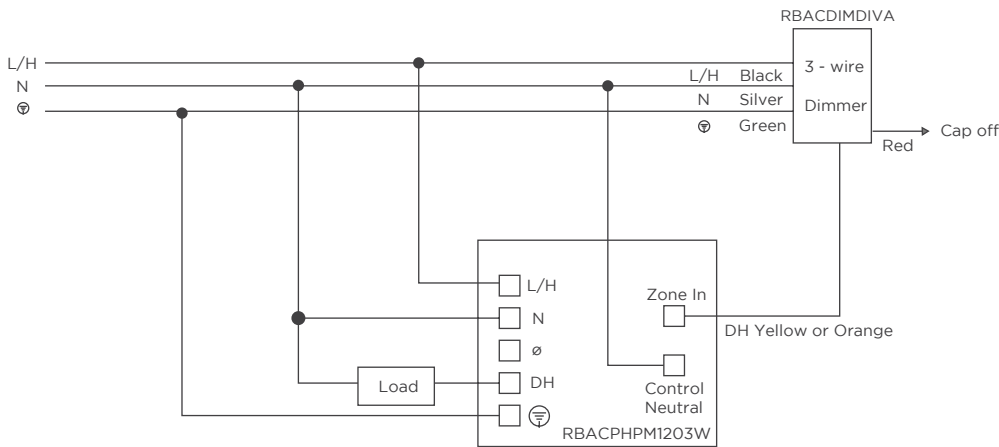
ADAPTIVE POWER MODULE (RBACPHPM1203W) WITH 3-WIRE DIVA DIMMER (RBACDIMDIVA)



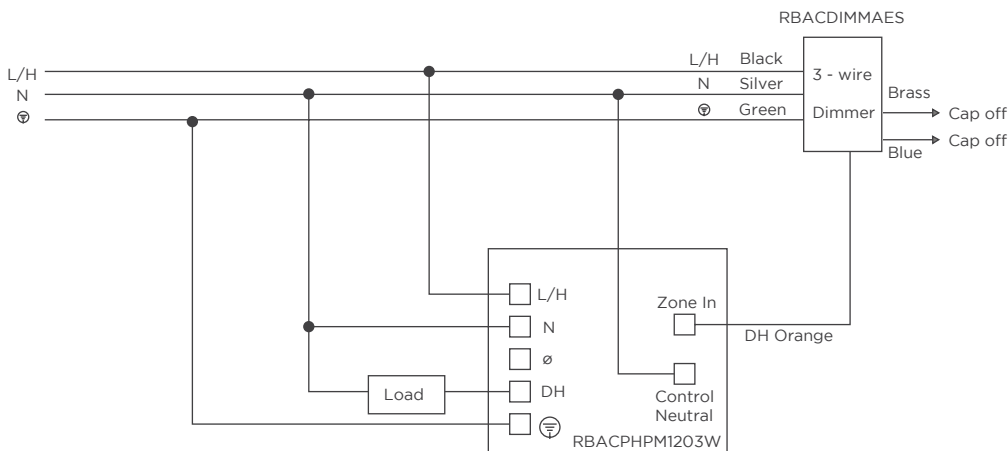
LEGEND

- L/H - Line/Hot
- N - Neutral
- ∅ - Not Used
- DH - Dimmed Hot
- SH - Switched Hot
- ⊕ - Ground

ADAPTIVE POWER MODULE (RBACPHPM1203W) WITH 3-WIRE NOVA T DIMMER (RBACDIMNOVAT)



ADAPTIVE POWER MODULE (RBACPHPM1203W) WITH 3-WIRE MAESTRO DIMMER (RBACDIMMAES)



REV.27NOV2024

GLOBAL HQ

320 Murray Hill Pkwy
East Rutherford, NJ 07073
U.S.
T: (+1) 212 629 6830
E: Sales-US@GENLEDBrands.com

EUROPEAN HQ

Hogeweyselaan 119
1382 JK Weesp
Netherlands
T: (+31) 346 235 000
E: SalesEurope@GENLEDBrands.com

MEINA HQ

PO Box 371378, #823, Building 4EA
Dubai Airport Free Zone
Dubai, UAE
T: (+971) 4 701 7901
E: SalesMEINA@genledbrands.com

ASIA-PACIFIC HQ

Room 402, Building D
Shenshi Tongchuang Science and Technology Park
No. 16 Hongyin Road
Xingqiang Community, Xiniu Street
Guangming District, Shenzhen, China 518107
Sales: (+86) 139 1836 3905
Office: (+86) 755 8529 0710
E: Sales-Pacific@GENLEDBrands.com