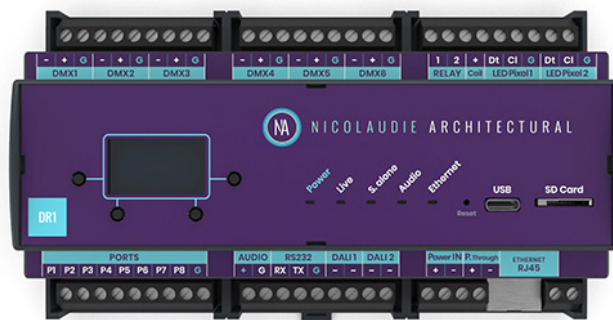


## 6 UNIVERSE DMX CONTROLLER

The 6 Universe DMX Controller is an incredibly durable solution for complex fixed lighting installations. Control up to six universes – as many as 3,072 channels -- over DMX, LED Pixel or DALI protocols. Link multiple controllers to synchronize the most demanding, large-scale lighting projects, all with multi-zone show controls and advanced triggering capabilities. Program fades, bursts, scenes and sequences with a PC or Mac over USB/Ethernet or use an on-site programming app with your smartphone or tablet. Single unit allows for individual control over up to 1,024 RGB or 768 RGBW devices!

- 3,072 channels
- 20 zones
- 2,000 scenes
- 16 mb internal memory
- Micro SD card
- 8-15V DC power
- 8 ports
- Clock/calendar triggers
- Optional audio/DALI triggers
- Control with iOS/Android apps
- Program with PC/Mac or iOS/Android



### Applications:

Commercial Hospitality Residential  
 Entertainment Museums Retail  
 Healthcare Public Spaces

## ORDERING GUIDE

### Category

DMXCTRLDR6U

DMXCTRLDR6U - 6 Universe DMX Controller

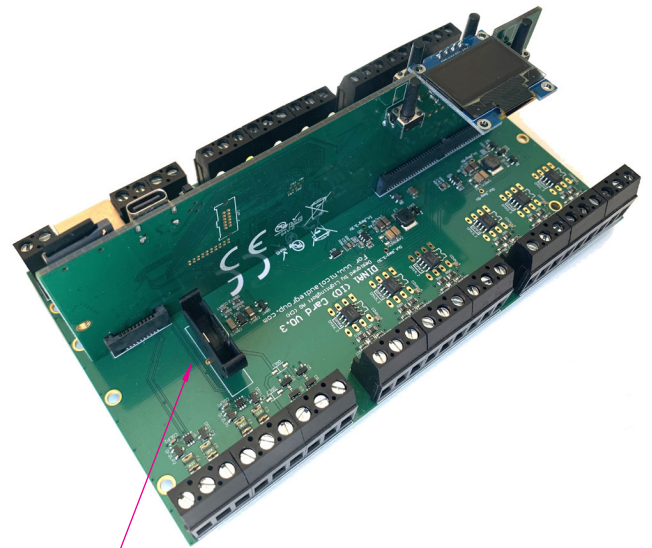
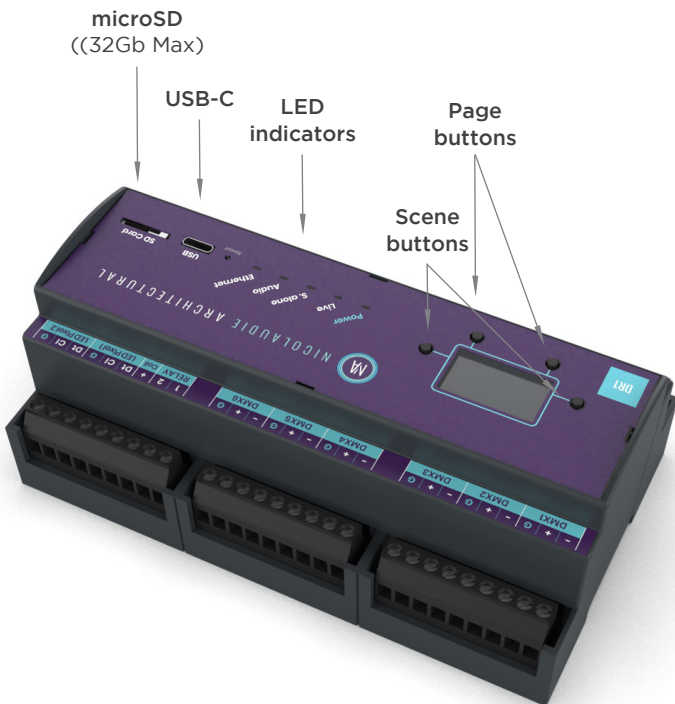
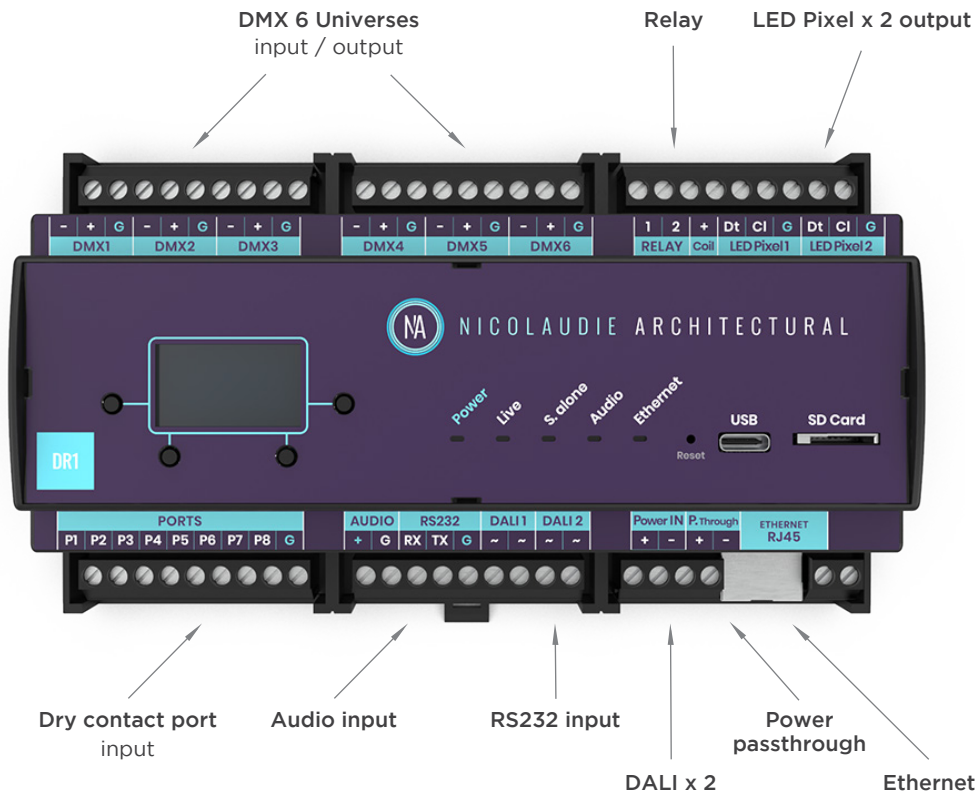
## SPECIFICATIONS

Input Power	12V DC (8 - 15V range)
Output Protocol	DMX512 (x6), eDMX, LED Pixel (SPIx2)
Programmability	PC (Windows 7/8/10), Mac (Windows 7/8/10), Android, iOS
Connections	USB-C, Ethernet Screw terminals (for 6 DMX / RDM Universes, 2 DALI loops 2021, LED Pixel 2021, 8 Contact ports, Relay, 12V power-in & p.through, RS232 scene trigger, Audio in <sound to light>), Battery holder (CR2032), Micro SD slot
Memory	16MB flash, SD Card
IP Rating	IP20
Operating Temperature	32° - 122° F (0° - 50° C)
Standards	EC, EMC, ROHS
Dimensions (L x W x D)	6.3 x 3.58 x 2.44 in. (160 x 91 x 62 mm)
Weight	0.7 lb (317 g)

Acolyte does not warrant or represent that the information is free from errors or omission. The information may change without notice and Acolyte is not in any way liable for the accuracy of any information printed and stored or in any way interpreted or used.

REV. 04APR2022

CONNECTIONS



## INSTALLATION / SETTINGS

### Easy Installation

#### 1. Mount a DIN Rail or DIN Rail Encloser against a wall

#### 2. Connect the wires

POWER: Connect 12V DC ACDC supply. The 6 Universe DMX Controller can accept 8v-15v.

Be sure to not invert the + and the ground.

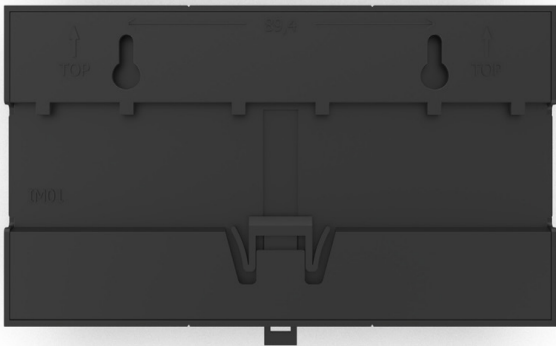
DMX: Connect the DMX cables from one of the 6 universes to the lighting receivers.

#### 3. Clip the 6 Universe DMX Controller onto the DIN RAIL

On the back of the interface housing is a channel designed to accept a DIN Rail with a black plastic clip which secures the interface.

To mount: Slide the mounting teeth behind the top of the rail and then rotate downwards to engage the clip.

To dismount: At the lower edge of the interface you will see a plastic clip. Pull this down to release interface from the rail.



### Setting up the controller

The controller can be programmed from a PC, Mac, iOS (Apple) or Android device using the software listed below. Refer to the corresponding software manual for more information. Firmware and settings can be updated using Hardware Manager (installed with PC/Mac programming software) or with Hardware Tools.

#### Windows / Mac Programming Software

**ESA Pro 2** - Multizone

[www.nicolaudie.com/esapro2.htm](http://www.nicolaudie.com/esapro2.htm)

**ESA2** - Single Zone

[www.nicolaudie.com/esa2.htm](http://www.nicolaudie.com/esa2.htm)

**Hardware Manager** - For Firmware, time/date

Find this under Tools @ [nicolaudie.com/download.htm](http://nicolaudie.com/download.htm)

#### Apple iOS and Android Apps

**Arcolis** - Search for 'Arcolis' on the Google Play

Store and iOS App Store

**Hardware Tools** - Search for 'Hardware Tools' on the iOS App Store or on Google Play for Android devices.

## INSTALLATION / SETTINGS

### Connections & Triggering

#### DMX512

Connect up to 6 DMX universes and 2,000 scenes for the 6 Universe DMX Controller. It is possible to buy extra DMX universes for the controller to reach the maximum number of channels.

#### LED Indicators

- POWER: Orange LED is ON when the interface is powered.
- LIVE: Green LED is ON when software or an app communicates with the controller.
- S. ALONE: Red LED is ON when the controller runs in Stand Alone mode.
- AUDIO: White LED is FLASHING when the controller receives an audio signal.
- ETHERNET: Blue LED is FLASHING when the controller is connected to a local network.

#### Audio

It is possible to directly connect an analog audio source to the 6 Universe DMX Controller in order to trigger your lighting scenes with the beat of the music. Simply connect a line level signal to the controller.

The programming/configuration must be done with ESA Pro 2 software like any other TCA trigger. You can decide to make a scene jump from step to step according to the beat.

When an audio signal is received by the controller, the AUDIO LED (white) will flash.

#### Ports

- Use up to 8 external trigger ports (dry contacts).
- Connect G and P1 to start Port #1.
- Connect G and P2 to start Port #2, and so on.
- Ports can be programmed in your show file (TCA).

#### RS232

Make a cable using the 3 pins: RX, TX and G (GND).

Set the RS232 parameters to: 9600 bds 8 bits, no Parity, 2 Stop bits.

Messages should be hexadecimal (i.e., 1=01, 255=FF etc.).

- To play a scene, send 4 bytes: 1 x y 255
- To stop a scene, send 4 bytes: 2 x y 255
- To pause a scene, send 4 bytes: 3 x y 255
- To release a pause, send 4 bytes: 4 x y 255
- To reset a scene, send 4 bytes: 5 x y 255

When (y)=0, (x) can be set between 0 and 255.

- To stop scene 145, send the command: 2 145 0 255

When (y)=1, (x) can be set between 0 and 243 to trigger scenes 256-499.

- To play scene 300, send the command: 1 44 1 255

A page can contain 1 to 2,000 scenes as long as the total number on all pages does not exceed 2,000. The index of a scene can be found by looking in the file /show1/show\_map.xml after writing a scene.

General examples:

0x01 0x02 0x00 0xFF to call scene 2.

0x01 0x05 0x00 0xFF to call scene 5.

0x01 0x10 0x05 0xFF to call scene 1296.

### Hardware Settings Display

It is possible to display most of the controller settings from the device screen. Simply press and hold the 2 zone buttons for 2 seconds to display the settings. You can then navigate with the scene buttons. Repeat the operation to leave the display mode. The most important settings can be visualized from the device display: date/time, firmware version, serial number, network settings, etc. It is also possible to visualize the controller performances (CPU, memory, etc.).

### Log Management

The 6 Universe DMX Controller offers the possibility to store activity logs on an SD Card or on a SysLog server. This option can be activated from the Hardware Manager program (Settings tab) and could be very helpful to service an installation. We recommend that you activate the SD Card option on demand only (debugging operation) to lower the SD Card access.

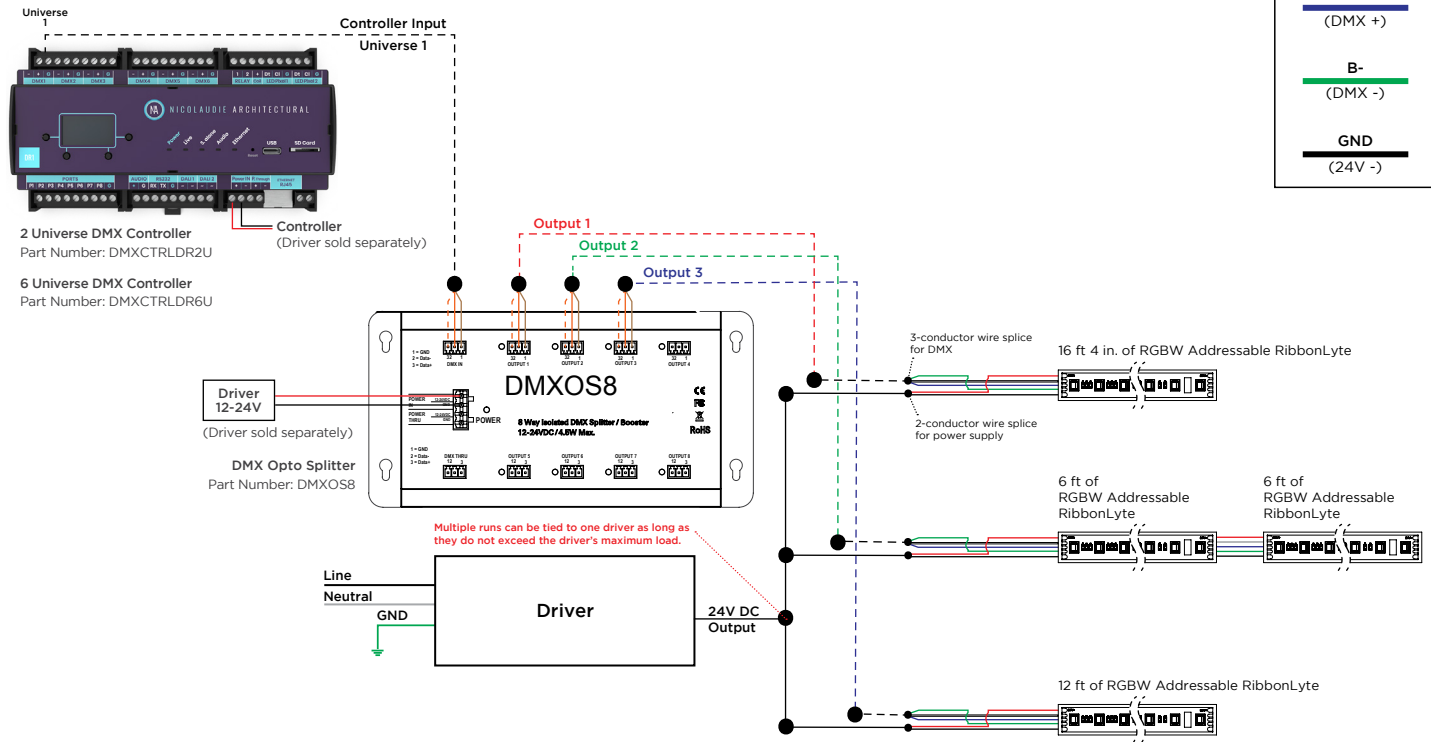
WIRING DIAGRAMS WITH RGBW ADDRESSABLE RIBBONLYTE

One DMX Universe consists of 128 addresses and 512 channels (42 ft, 8 in. of RibbonLyte).

Any single run of RibbonLyte that is less than 16 ft, 4 in. can be wired directly to the controller.

For additional runs, Opto Splitter must be used. Each individual run will need its own Opto Splitter output.

WIRE INDEX	
+	(24V +)
PI	(DMX GND)
A+	(DMX +)
B-	(DMX -)
GND	(24V -)

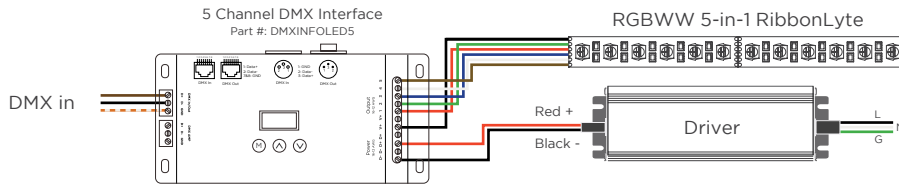


MAX LENGTH BETWEEN DRIVER & RIBBONLYTE AT FULL LOAD

Wattages	40		60		96 + 100		150		200		240		300		320	
	Feet	Meters	Feet	Meters	Feet	Meters	Feet	Meters	Feet	Meters	Feet	Meters	Feet	Meters	Feet	Meters
24 AWG	14	4.27	9	2.74	5.5	1.68	3.75	1.14	2.75	0.84	2.25	0.69	1.75	0.53	1.75	0.53
22 AWG	22	6.71	14	4.27	9	2.74	5.75	1.75	4.5	1.37	3.5	1.07	2.75	0.84	2.75	0.84
20 AWG	35	10.67	23	7.01	14	4.27	9	2.74	7	2.13	5.75	1.75	4.5	1.37	4.25	1.30
18 AWG	56	17.07	37	11.28	23	7.01	15	4.57	11	3.35	9	2.74	7.5	2.29	7	2.13
16 AWG	90	27.44	60	18.29	37	11.28	24	7.32	18	5.49	15	4.57	12	3.66	11	3.35
14 AWG	142	43.29	95	28.96	59	17.99	38	11.59	28	8.54	23	7.01	19	5.79	17	5.18
12 AWG	226	68.90	151	46.04	94	28.66	60	18.29	45	13.72	37	11.28	30	9.15	28	8.54
10 AWG	360	109.76	240	73.17	150	45.73	96	29.27	72	21.95	60	18.29	48	14.63	45	13.72
8 AWG	574	175.00	381	116.16	239	72.87	153	46.65	115	35.06	95	28.96	76	23.17	71	21.65

WIRING DIAGRAM WITH RGBW, RGBA & VARIABLE WHITE RIBBONLYTE

DMX



WIRE COLORS PER RIBBONLYTE COLOR

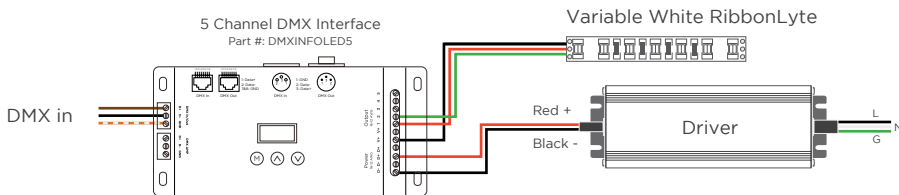
**RGBW & RGBA**

Black Wire (+) Positive  
Red Wire (-) goes to Red Channel  
Green Wire (-) goes to Green Channel  
Blue Wire (-) goes to Blue Channel  
White Wire (-) goes to White Channel

**RGBWW**

Black (+) Positive  
Green Wire (-) goes to Green Channel  
Red Wire (-) goes to Red Channel  
Blue Wire (-) goes to Blue Channel  
White Wire (-) goes to White Channel 1  
Brown Wire (-) goes to White Channel 2

DMX WIRING DIAGRAM - COMPATIBLE WITH ALL MODELS OF VARIABLE WHITE RIBBONLYTE



**VARIABLE WHITE**

Black Wire (+) Positive  
Red Wire (-) goes to Warm White Channel  
Green Wire (-) goes to Cool White Channel

REV.26NOV2024

**GLOBAL HQ**

320 Murray Hill Pkwy  
East Rutherford, NJ 07073  
U.S.  
T: (+1) 212 629 6830  
E: Sales-US@GENLEDBrands.com

**EUROPEAN HQ**

Hogeweyselaan 119  
1382 JK Weesp  
Netherlands  
T: (+31) 346 235 000  
E: SalesEurope@GENLEDBrands.com

**MEINA HQ**

PO Box 371378, #823, Building 4EA  
Dubai Airport Free Zone, Dubai, UAE  
T: (+971) 4 701 7901  
E: SalesMEINA@genlebrands.com

**ASIA-PACIFIC HQ**

Room 402, Building D  
Shenshi Tongchuang Science and Technology Park  
No. 16 Hongyin Road  
Xingqiang Community, Xihu Street  
Guangming District, Shenzhen, China 518107  
Sales: (+86) 139 1836 3905  
Office: (+86) 755 8529 0710  
E: Sales-Pacific@GENLEDBrands.com