

### DIMMABLE INTEGRATED DRIVERS

The Dimmable Integrated Driver from AmbienTech provides unbeatable flicker-free dimming down to 0.1% for Variable White and Warm-Dim applications. Controlled by an app or wall switch with a wireless signal and available in 12VDC and 24VDC output, the Dimmable Integrated Driver junction box is a UL Listed Class 2 driver with separate input and output compartments and three knockouts for easy installation.

- Dimming for Variable White and Warm-Dim applications
- Controlled by wall switch with wireless signal
- Single switch can control multiple LED drivers
- Flicker-free dimming down to 0.1%
- Complies with Title 24 dimming requirements
- Current limit overload protection
- No minimum load requirement
- 12VDC or 24VDC output



#### Applications:

Commercial	Hospitality	Residential
Entertainment	Museums	Retail
Healthcare	Public Spaces	



### ORDERING GUIDE

Category	Voltage	Wattage	Input Voltage
DRVRF	24		120
DRVRF - Dimmable Integrated Driver	24 - 24 VDC	60 - 60W 90 - 90W	120 - 120 VAC

### COMPATIBLE DIMMERS & DIMMING CONTROL MODULE

#### VARIABLE WHITE DIMMER (PART #: RFDIMVWWH / RFDIMVWBK)



##### DIMENSIONS

Width: 2.9 in. (74.5 mm)  
Length: 4.7 in. (119 mm)  
Depth: 1.6 in. (40.6 mm)

##### FEATURES

- Dimming for Variable White applications
- Wall switch with wireless signal
- Flicker-free dimming down to 0.1%
- Offers App and voice control
- Complies with Title 24 dimming requirements

#### WARM DIM DIMMER (PART #: RFDIMWDWH / RFDIMWDBK)



##### DIMENSIONS

Width: 2.9 in. (74.5 mm)  
Length: 4.7 in. (119 mm)  
Depth: 1.6 in. (40.6 mm)

##### FEATURES

- Dimming for Warm-Dim applications
- Wall switch with wireless signal
- Flicker-free dimming down to 0.1%
- On-site programmable dimming curve
- Complies with Title 24 dimming requirements

### MAX LENGTH BETWEEN DRIVER & RIBBONLYTE AT FULL LOAD

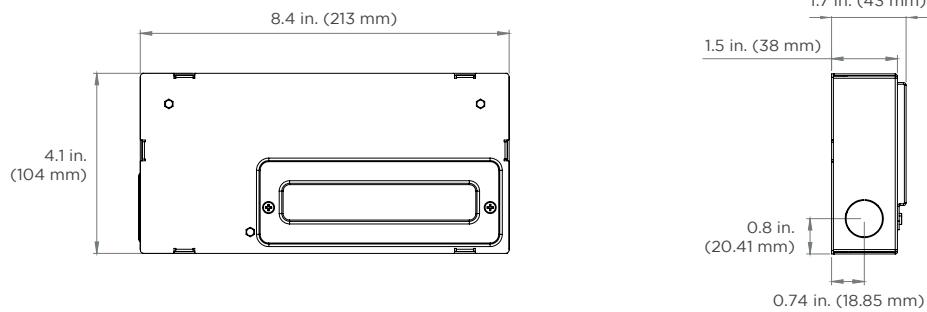
Wattages	60		90	
	Feet	Meters	Feet	Meters
24 AWG	9	2.74	5.5	1.68
22 AWG	14	4.27	9	2.74
20 AWG	23	7.01	14	4.27
18 AWG	37	11.28	23	7.01
16 AWG	60	18.29	37	11.28
14 AWG	95	28.96	59	17.99
12 AWG	151	46.04	94	28.66
10 AWG	240	73.17	150	45.73
8 AWG	381	116.16	239	72.87

SPECIFICATIONS

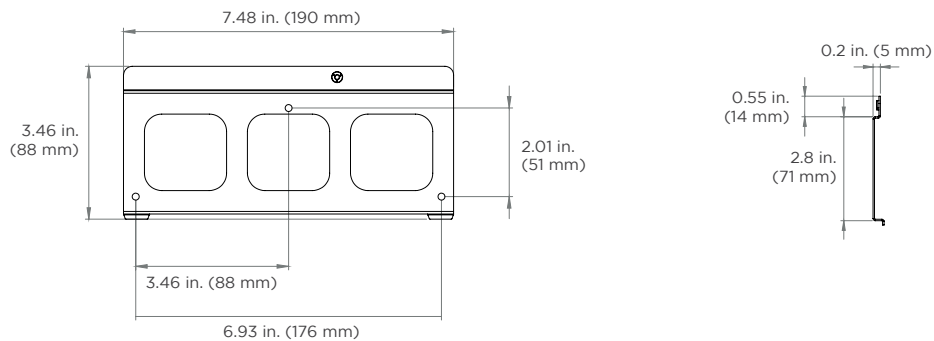
DIMMABLE INTEGRATED DRIVERS		
Max Power	<b>60 W</b> Part No: DRVRF2460120	<b>90 W</b> Part No: DRVRF2490120
Rated Voltage (DC)	24 VDC	24 VDC
No Load Voltage	25.2 VDC	25.2 VDC
Input Voltage (VAC)	120 VAC +/- 10%	120 VAC +/- 10%
Voltage Ripple & Noise (Max)	300 mV (Vp-p)	300 mV (Vp-p)
Power Factor	PF>0.96	
Rated Current	2.5 A	3.75 A
Rated Power	60 W	
Input Frequency	60Hz	
Efficiency (max load)	87%	89%
Max Input Current	0.95 A	
Safety Standards	Conforms to UL STD. 1310, Certified CSA, STD. C22.2 No. 223	Conforms to UL STD. 1310, Certified CSA, STD. C22.2 No. 223
Material/Finish	Sheet metal/powder coat	Sheet metal/powder coat
IP Rating	IP23 (indoor)	IP23 (indoor)
Control Protocol	RF (auto pairing)	RF (auto pairing)
Dimming Range	100% -0.1%	100% -0.1%
Dim-to-Off	Yes	Yes
Dimming Method	PWM (2400Hz)	PWM (2400Hz)
Dimming Curve	Logarithmic (Default)	Logarithmic (Default)
Dimensions	8.4 in. x 4.1 in. x 1.5 in. (213 mm x 104 mm x 38 mm)	8.4 in. x 4.1 in. x 1.5 in. (213 mm x 104 mm x 38 mm)
Weight	3.13 lbs	

DIMENSION DRAWINGS

60 W / 96 W Drivers



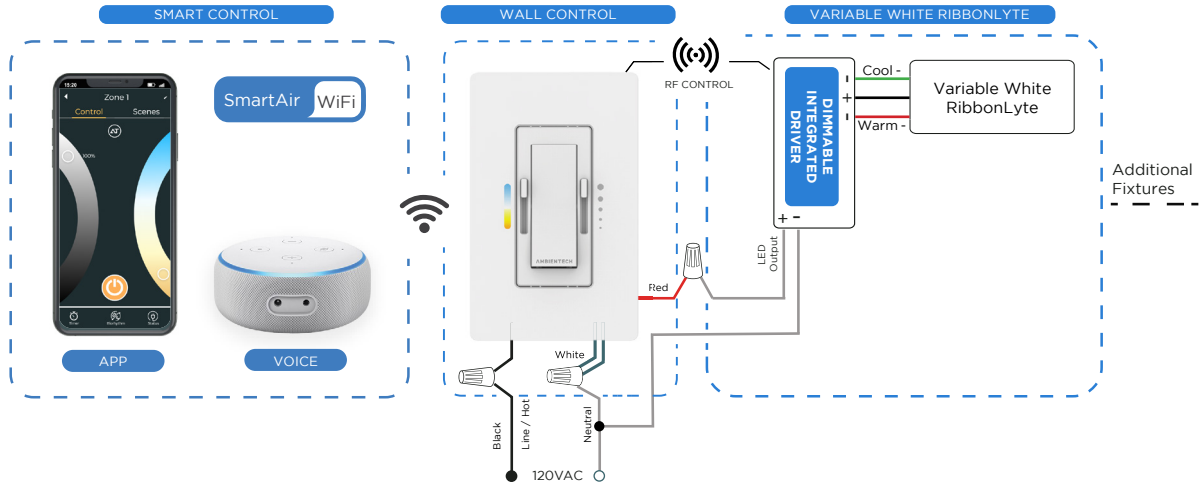
Wall Bracket



Acolyte does not warrant or represent that the information is free from errors or omission. The information may change without notice and Acolyte is not in any way liable for the accuracy of any information printed and stored or in any way interpreted or used.

WIRING DIAGRAMS

VARIABLE WHITE



WARM DIM

