

ULTRA 650 RGBW

COLOR CHANGING LED SIGNAGE MODULES

CHANNEL LETTERS | COVE LIGHTING | BOX SIGNS | APPLICATIONS STARTING AT DEPTHS OF 3 IN. (75 MM)

ULTRA 650 RGBW modules are premium color changing signage modules engineered for constant current so there is no lumen drop across the full length of any string. The ULTRA 650 RGBW module features four chips in each LED - red, green, blue and white for added brightness. Use DMX controls to tune ULTRA 650 RGBW modules to any color.



12V DC



5 YEAR WARRANTY



VERSALENZ[®]
ADVANCED OPTICS



CAPZUL[®]
WATERPROOF



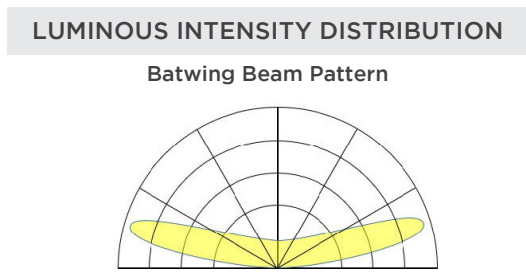
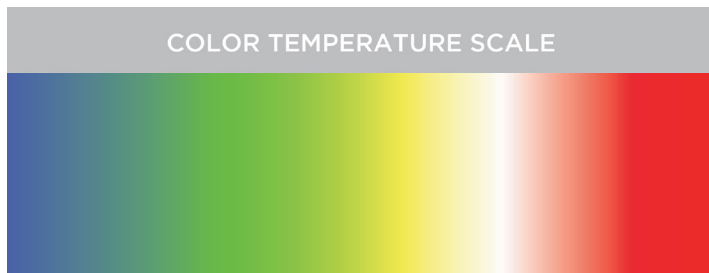
CONSTANT CURRENT



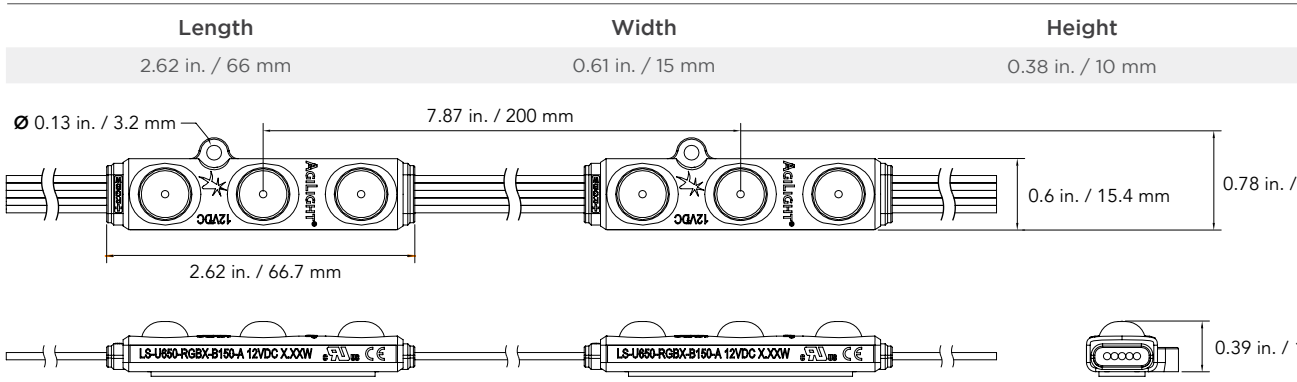
UV RESISTANT

PRODUCT RATINGS

| | | | |
|---------------------------|--|------------------------------|---|
| Luminous Efficacy | 52.2 lm/W (All) 25.3 lm/W (Red) 61.7 lm/W (Green) 20 lm/W (Blue) 101.7 lm/W (White) | Input Current | 100 mA (All) 25 mA (Red) 25 mA (Green) 25 mA (Blue) 25 mA (White) |
| Wattage per Module | 1.20 W/module (All) 0.30 W/module (Red) 0.30 W/module (Green) 0.30 W/module (Blue) 0.30 W/module (White) | Power Supply Loading | 46 modules per 60 W |
| Input Voltage | 12 V DC | Ingress Protection | IP66 |
| | | Operating Temperature | -13° - +131°F (-25° - +55°C) |
| | | L70 Lifetime @ 60° C | 50,000 hours |
| | | Warranty | 5 Year Standard Warranty |



MODULE DIMENSIONS



REV.08.JUL.2024