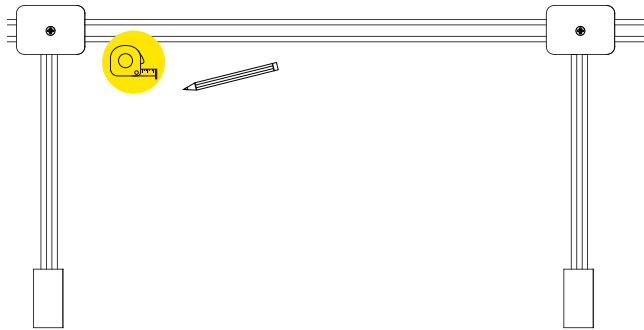
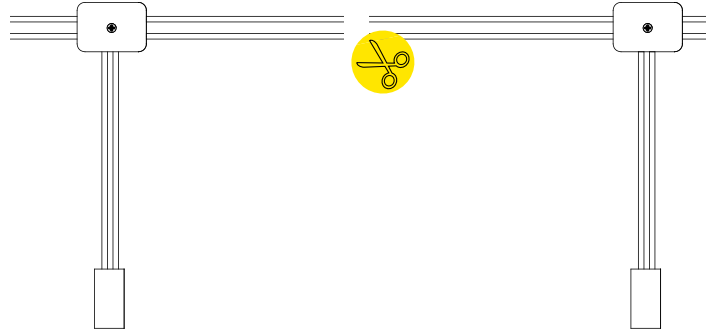


OPTIRAYZ WITH WIRE HARNESS:

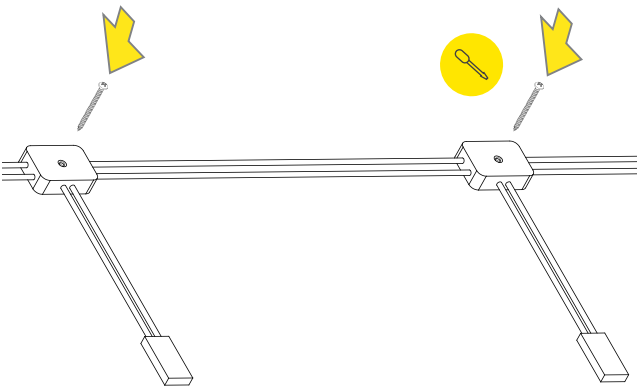
1. Measure and mark desired location for wire harness.



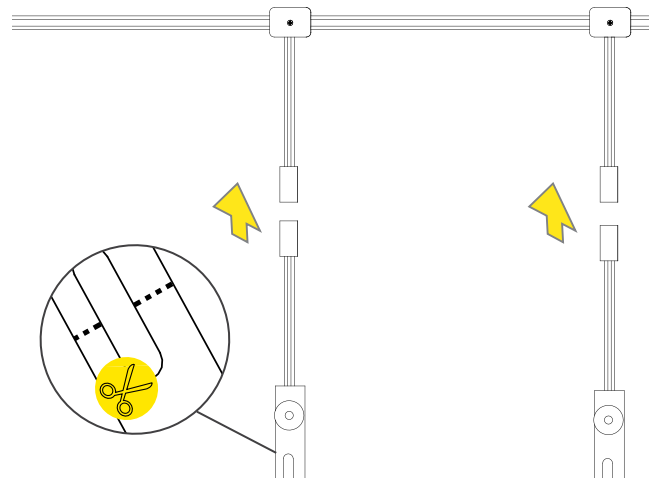
2. Cut wire harness to desired length.



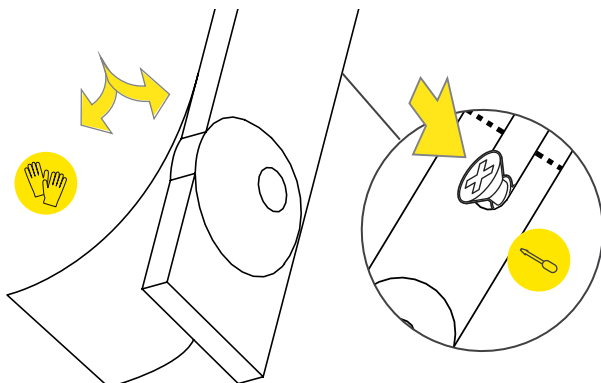
3. Mount wire harness to desired wall/frame surface with screws.



4. Connect OptiRayz rigid light bars to wire harness.
(Daisy chain extra light bars or trim to fit at available cut points as needed.)



5. Remove adhesive backing and affix OptiRayz rigid light bars to surface as desired. (Use optional screws in marked holes as needed.)



6. Make necessary electrical connections.

7. Installation complete.

