

### RGBWW INTERFACE WITH REMOTE

The RGBWW Interface With Remote allows wireless RF remote control and 0-100% stepless dimming for each channel in RGBWW 5-in-1 RibbonLyte fixtures. The Remote connects to the Interface within 98 ft (30 m). The Interface can synchronize with a string of other Interfaces up to 49 ft (15 m) away. Control color changing fixtures and easily adjust for brightness and warmth.

- RGBWW Interface comes with RF remote
- 12-24V DC power, 5 channel constant voltage output
- Interface transmits signal to other controllers within 49 ft (15 m)
- Allows synchronization of multiple controllers with single remote
- Switch remote color wheel control between RGB and CCT
- Remote offers 10 quick dynamic modes and saves 2 scenes
- Smooth 0-100% flicker-free dimming



#### Applications:

Commercial Entertainment Healthcare	Hospitality Museums Public Spaces	Residential Retail
---	---	-----------------------



### Dimensions



**Width:** 2.09 in (53 mm)  
**Length:** 4.8 in (122 mm)  
**Depth:** 0.69 in (17.5 mm)



**Width:** 4.49 in (114 mm)  
**Length:** 1.5 in (38 mm)  
**Depth:** 0.79 in (20 mm)

### ORDERING GUIDE

#### Category

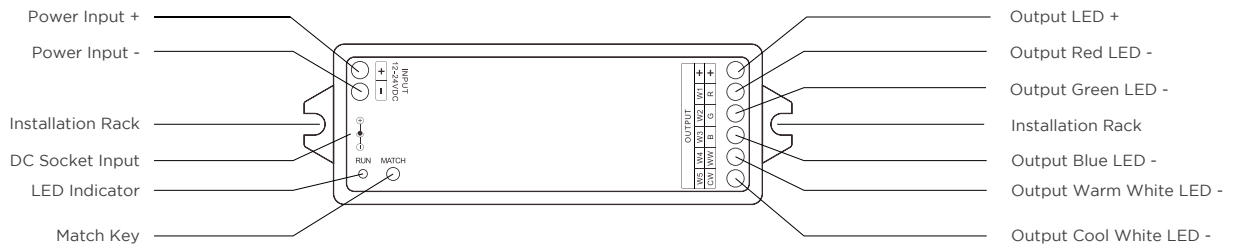
**RFKIT5CH**

RFKIT5CH - RGBWW RF Remote & Interface

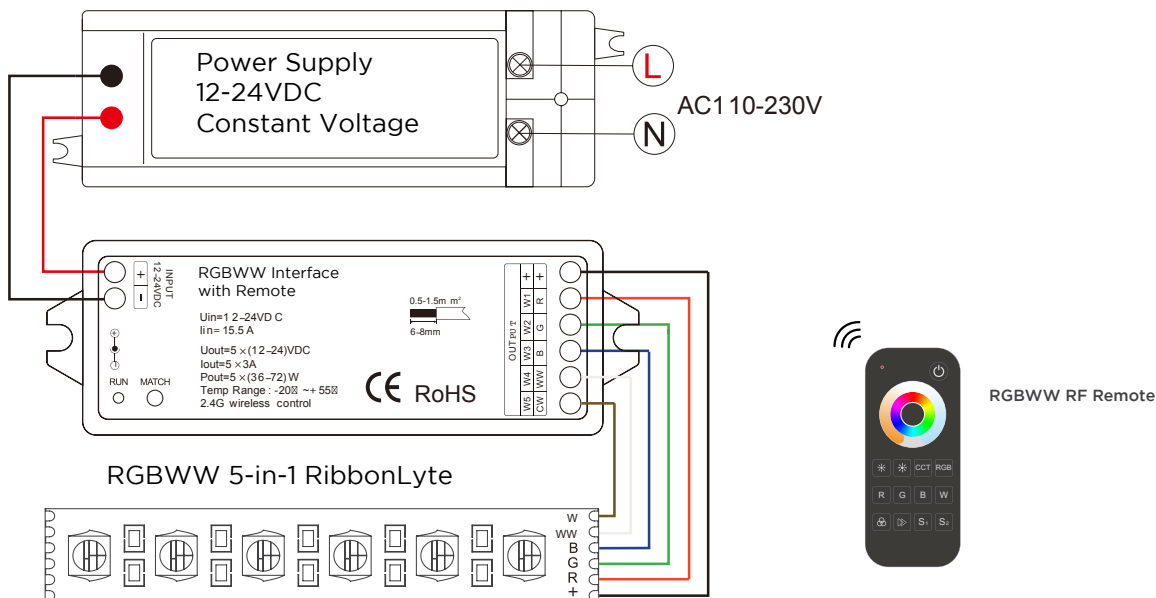
TECHNICAL DATA

INPUT & OUTPUT		SAFETY & EMC	
Input Voltage	12-24V AC	EMC Standard (EMC)	ETSI EN 301 489-1 V2.2.3 ETSI EN 301 489-17 V3.2.4
Input Current	15.5A	Safety Standard (LVD)	EN 62368-1:2020+A11:2020
Output Voltage	5 x 12-24V DC	Radio Equipment (RED)	ETSI EN 300 328 V2.2.2
Output Current	5CH, 3A/CH	Certification	CE, EMC, LVD, RED
Output Power	5 x 36-72 W		
Output Type	Constant voltage		
DIMMING DATA		ENVIRONMENT	
Input Signal	RF 2.4 GHz	Operation temperature	-22° - +131° F (-30° - +55° C)
Control Distance	30 m (barrier-free space)	Max. Case Temperature	185° F (+85° C)
Dimming Gray Scale	4096 (2 <sup>12</sup> ) levels	IP Rating	IP20
Dimming Range	0-100%		
Dimming Curve	Logarithmic	WARRANTY & PROTECTION	
PWM Frequency	1000 Hz (default)	Warranty	5 years
		Protection	Reverse polarity, short circuit

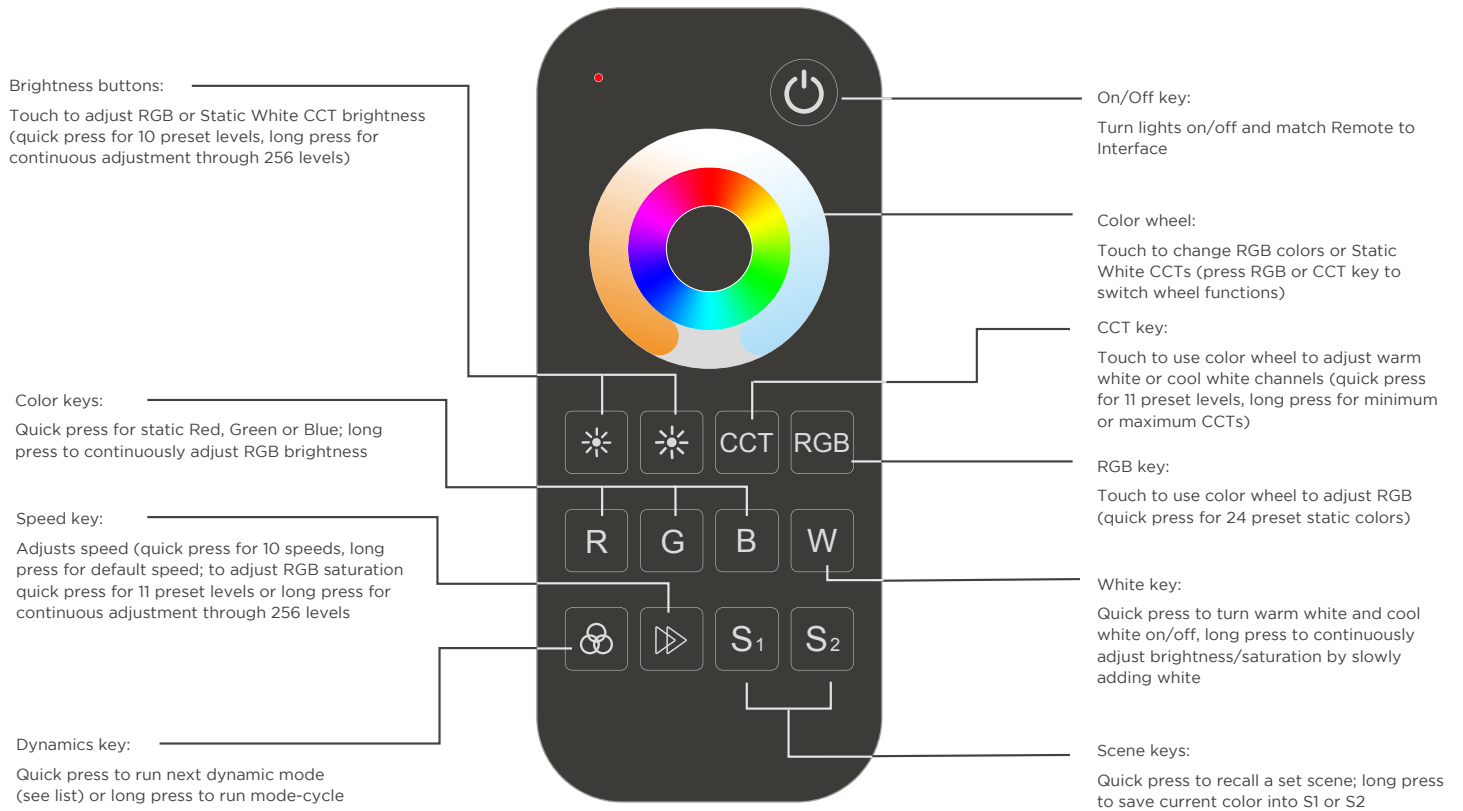
WIRING DIAGRAM



CONNECTION WITH A CONSTANT VOLTAGE POWER SUPPLY:



REMOTE USER GUIDE



DYNAMIC MODE LIST

NO.	NAME	NO.	NAME
1	RGB jump	6	RGB fade in and out
2	RGB smooth	7	Red fade in and out
3	6 color jump	8	Green fade in and out
4	6 color smooth	9	Blue fade in and out
5	Color temperature smooth	10	White fade in and out

PROGRAMMING GUIDE

Use the Match key

**1. Match:**

Quickly press the Interface match key. Within 5 seconds, press the Remote On/Off key

**2. Delete:**

Press the Interface match key for 5 seconds to delete any matched Remotes.

Power-up

**1. To match:**

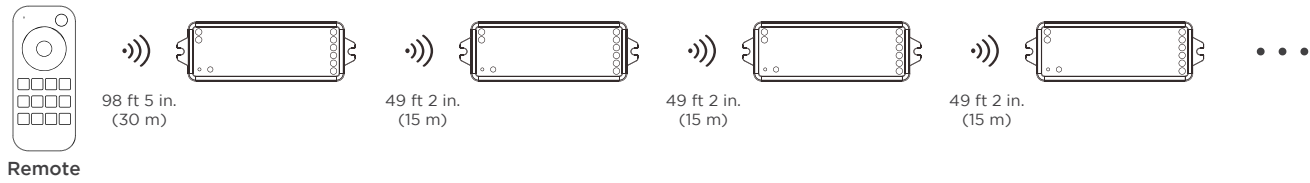
Switch the power off, then on. Within 5 seconds, quickly press the On/Off key on the Remote 3 times. When the light blinks 3 times, the match is confirmed.

**2. To delete:**

Switch the power off, then on. Within 5 seconds, quickly press the On/Off key on the Remote 5 times. When the light blinks 5 times, the match is deleted.

**CONNECTIVITY NOTES**

**1. For interfaces in the same zone**



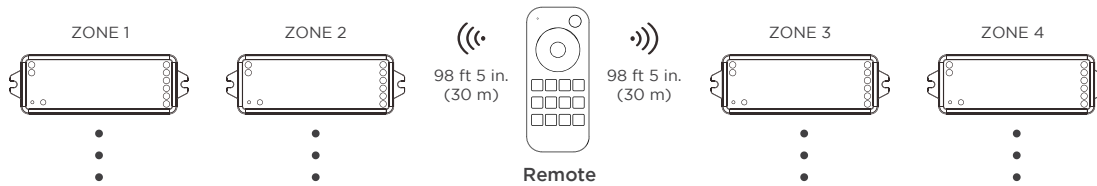
**Auto-transmitting::**

Each interface can transmit signals from the remote to another interface within 49 ft 2 in. (15 m). As long as there is an interface within 98 ft 5 in. (30 m), the remote control distance can be extended.

**Auto-synchronization:**

Multiple receivers within 98 ft 5 in. (30 m) can be synchronized when they are controlled by the same remote, in dynamic mode and with the same speed. Receiver placement may offer up to 98 ft 5 in. (30 m) communication distance. Be aware that metals and some metal materials may act as barriers that reduce the range. Strong signal sources like WiFi routers and microwave ovens will also affect the range. For indoor applications, we recommend that receivers are placed no further apart than 49 ft (15 m).

**2. Each interface (one or more) in a different zone, like zone 1, 2, 3 or 4.**



**MALFUNCTIONS ANALYSIS & TROUBLESHOOTING**

MALFUNCTIONS	CAUSES	TROUBLESHOOTING
No light	1. No power 2. Wrong connection or insecure	1. Check the power 2. Check the connection
Wrong color	Wrong connection of R/G/B/WW/CW wires	Reconnect R/G/B/WW/CW wires
Uneven intensity between front and rear with voltage drop	1. Output cable is too long 2. Wire diameter is too small 3. Overload beyond power supply capability 4. Overload beyond controller capability	1. Reduce cable or loop supply 2. Change to larger wire 3. Replace with larger power supply 4. Add power repeater
No response from the remote	1. The battery has no power 2. Beyond controllable distance 3. The controller did not match the remote	1. Replace battery 2. Reduce remote distance 3. Re-match the remote

**SAFETY INFORMATION**

1. The product shall be installed and serviced by a qualified person.
2. This product is non-waterproof. Please avoid the sun and rain.
3. Good heat dissipation will prolong the working life of the controller, please ensure good ventilation.
4. Please check if the output voltage of any power supplies used comply with the working voltage of the product.
5. Ensure all wire connections and polarities are correct and secure before applying power to avoid any damages to the LED lights.
6. If a fault occurs please return the product to your supplier. Do not attempt to fix this product by yourself.