



Date \_\_\_\_\_ Project \_\_\_\_\_

Notes \_\_\_\_\_

**FORTE LINEAR RGBW FIXTURE**

The Forte Linear RGBW Fixture is a powerful Armor Series exterior fixture designed for signage, wall grazing or flood applications and landscape accents. Manufactured with high-density extruded aluminum and an optical grade PMMA lens, Forte Linear features a double row of high-brightness LEDs. Its low profile lets Forte Linear easily blend into a wide variety of applications. It is available in three standard lengths and six beam angles with an optional built-in glare shield. Choose color changing RGBW with three white light options. Compatible with DMX controls for theatrical effects.



- RGBW (3000K, 4000K, 6000K)
- 3 wattage/length options
  - 30W at 13 in. (330 mm)
  - 60W at 23.6 in. (600 mm)
  - 98W at 37.2 in. (945 mm)
- 6 beam angles: 20°x20°, 25°x25°, 30°x30°, 40°x40°, 65°x65°, 20°x45°
- 1488.7 lm @ RGBW (4000K) all on (13 in., 20°x20°)
- Standard gray finish, custom colors available
- Rated IP66 for dry, damp and wet locations
- Tilttable stand rotates up to 270°
- 3-year warranty



**ORDERING GUIDE**

Category	Input Voltage	Glare Shield	Length
<b>FORTE</b>	<b>AC</b>		
FORTE - Forte	AC - 100-277 V AC	GS - Glare Shield NS - No Shield	12 - 13 in. / 330 mm (30 W) 24 - 23.6 in. / 600 mm (60 W) 36 - 37.2 in. / 945 mm (98 W)

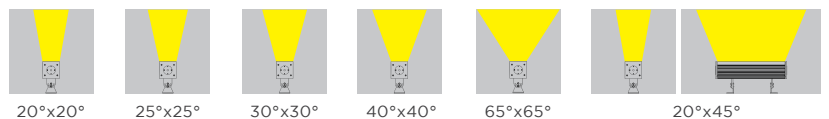
Color Temperature	FWHM Beam Angle	
<b>RGB30</b> - RGBW (3000K)	20 - 20°x20°	40 - 40°x40°
<b>RGB40</b> - RGBW (4000K)	25 - 25°x25°	65 - 65°x65°
<b>RGB60</b> - RGBW (6000K)	30 - 30°x30°	20x45 - 20°x45°

**AVAILABLE COLOR TEMPERATURES**



RGBW

**AVAILABLE BEAM ANGLES**



Acolyte does not warrant or represent that the information is free from errors or omission. The information may change without notice and Acolyte is not in any way liable for the accuracy of any information printed and stored or in any way interpreted or used.

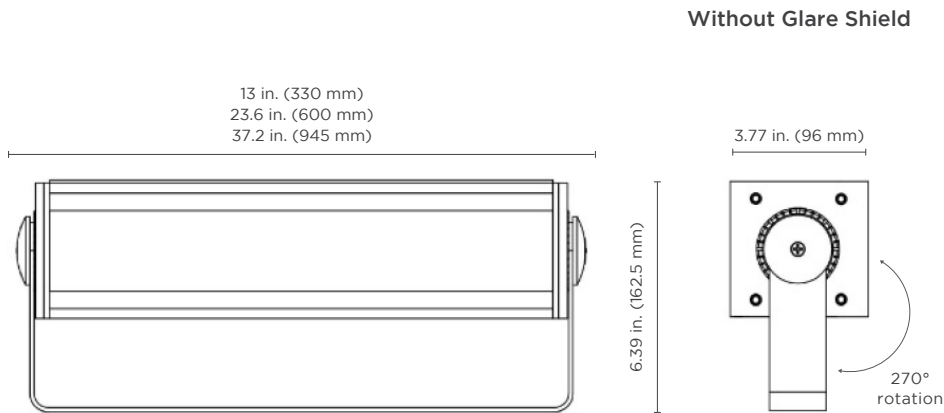
**SPECIFICATIONS**

<b>Voltage</b>	100-277 V AC		
<b>Length</b>	13 in. / 330 mm	23.6 in. / 600 mm	37.2 in. / 945 mm
<b>Power Consumption</b>	30 W	60 W	98 W
<b>Amperage</b>	0.28 A @ 120V 0.15 A @ 230V 0.13 A @ 277V	0.45 A @ 120V 0.24 A @ 230V 0.21 A @ 277V	0.72 A @ 120V 0.38 A @ 230V 0.34 A @ 277V
<b>Lumens per Watt</b>	49.6 lm/W at 4000K, 20°x20°		
<b>Color Temperature</b>	RGBW (3000K, 4000K, 6000K)		
<b>Lumen Output</b>	R = 288.7 lm / G = 522.2 lm / B = 158 lm / W = 470 lm / All on = 1488.7 lm (13 in., 20°x 20°)		
<b>Available Lengths</b>	13 in. (330 mm), 23.6 in. (600 mm), 37.2 in. (945 mm)		
<b>LED Beam Angle</b>	20°x20°, 25°x25°, 30°x30°, 40°x40°, 65°x65°, 20°x45°		
<b>Control System</b>	DMX, RDM		
<b>CRI</b>	80+ CRI		
<b>Driver Type</b>	Constant voltage		
<b>Housing / Lens Materials</b>	Housing: Extruded Aluminium Lens: Optical Grade PMMA End Caps: Die-Cast Aluminium Gasket: Silicone Rubber		
<b>Protection Rating</b>	IP66		
<b>Mounting Options</b>	End mounting bracket		
<b>Lamp Life</b>	60,000 hours		
<b>Certifications</b>	CE, ETL / Luminaires - UL 1598, 3rd Ed., issued September 17, 2008, Rev. October 17, 2012 / Luminaires - CSA C22.2 No.250.0-08, 3rd Ed., issued September 17, 2008, Rev. October 17, 2012 (R2013)		
<b>Fixture Color Finishes</b>	Gray, custom RAL		
<b>Warranty</b>	3 Years		

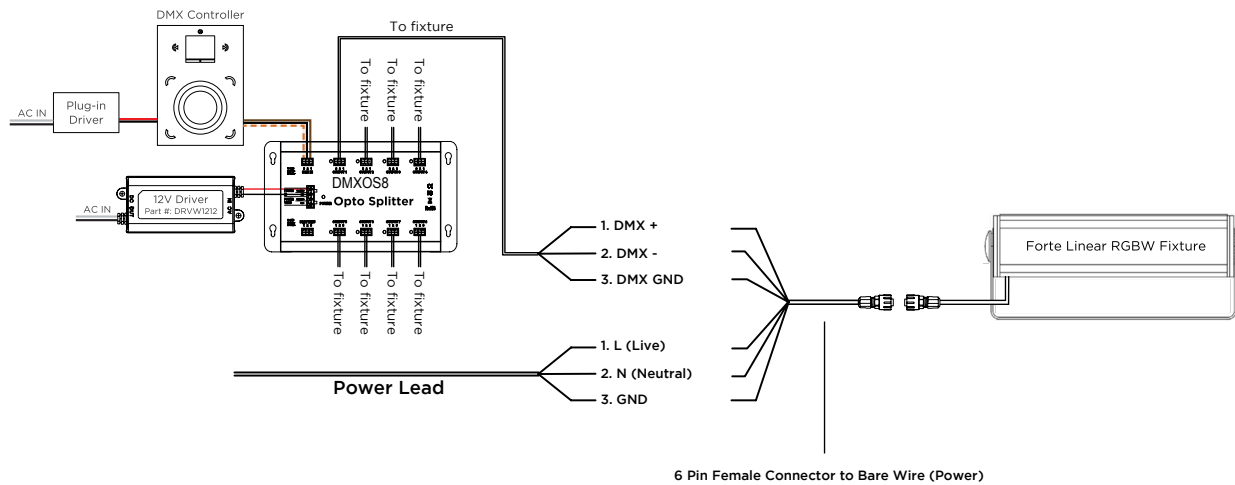
**LUMEN OUTPUT TABLE**

<b>Beam Angles</b>	<b>Color Temperature</b> RGBW (4000K)
20°	1378 lm/ft (4698 lm/m)
25°	1312 lm/ft (4471 lm/m)
30°	1050 lm/ft (3580 lm/m)
40°	1175 lm/ft (4005 lm/m)
65°	999 lm/ft (3406 lm/m)
25x45°	1195 lm/ft (4074 lm/m)

**DIMENSIONS**



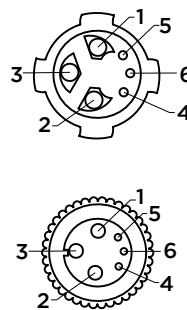
**WIRING DIAGRAM & ACCESSORIES**



**6-PIN CONNECTOR AND WIRE SPECS**

Cable	Function	Pin ID	Wire Size	Wire Color (US)
Power Lead in / Power Extension	L (Line)	1	16AWG	Black
	N (Neutral)	2	16AWG	White
	GND (Ground)	3	16AWG	Green
DMX	DMX +	4	22AWG	Purple
	DMX -	5	22AWG	Gray
	DMX GND	6	22AWG	Yellow

PIN ID:



**6 Pin Female Connector to Bare Wire (Power)**

To bare wire for incoming power  
Lengths: 6.6 ft (2000 mm) and 19.7 ft (6000 mm)



Part Number:  
MINICLFB6PIN2000 (6.6 ft / 2000 mm)  
MINICLFB6PIN6000 (19.7 ft / 6000 mm)