



Date _____ Project _____

Notes _____

FORTE LINEAR RGBW FIXTURE

The Forte Linear RGBW Fixture is a powerful Armor Series exterior fixture designed for signage, wall grazing or flood applications and landscape accents. Manufactured with high-density extruded aluminum and an optical grade PMMA lens, Forte Linear features a double row of high-brightness LEDs. Its low profile lets Forte Linear easily blend into a wide variety of applications. It is available in three standard lengths and six beam angles with an optional built-in glare shield. Choose color changing RGBW with three white light options. Compatible with DMX controls for theatrical effects.



- RGBW (3000K, 4000K, 6000K)
- 3 wattage/length options
 - 30W at 13 in. (330 mm)
 - 60W at 23.6 in. (600 mm)
 - 98W at 37.2 in. (945 mm)
- 6 beam angles: 20°x20°, 25°x25°, 30°x30°, 40°x40°, 65°x65°, 20°x45°
- 1488.7 lm @ RGBW (4000K) all on (13 in., 20°x20°)
- Standard gray finish, custom colors available
- Rated IP66 for dry, damp and wet locations
- Tilttable stand rotates up to 270°
- 3-year warranty



ORDERING GUIDE

Category	Input Voltage	Glare Shield	Length
FORTE	AC		
FORTE - Forte	AC - 100-277 V AC	GS - Glare Shield NS - No Shield	12 - 13 in. / 330 mm (30 W) 24 - 23.6 in. / 600 mm (60 W) 36 - 37.2 in. / 945 mm (98 W)

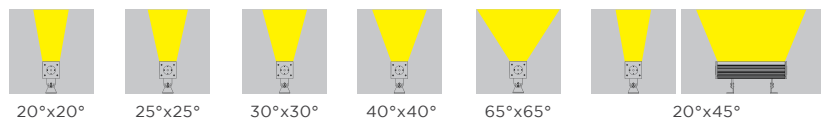
Color Temperature	FWHM Beam Angle	
RGB30 - RGBW (3000K)	20 - 20°x20°	40 - 40°x40°
RGB40 - RGBW (4000K)	25 - 25°x25°	65 - 65°x65°
RGB60 - RGBW (6000K)	30 - 30°x30°	20x45 - 20°x45°

AVAILABLE COLOR TEMPERATURES



RGBW

AVAILABLE BEAM ANGLES

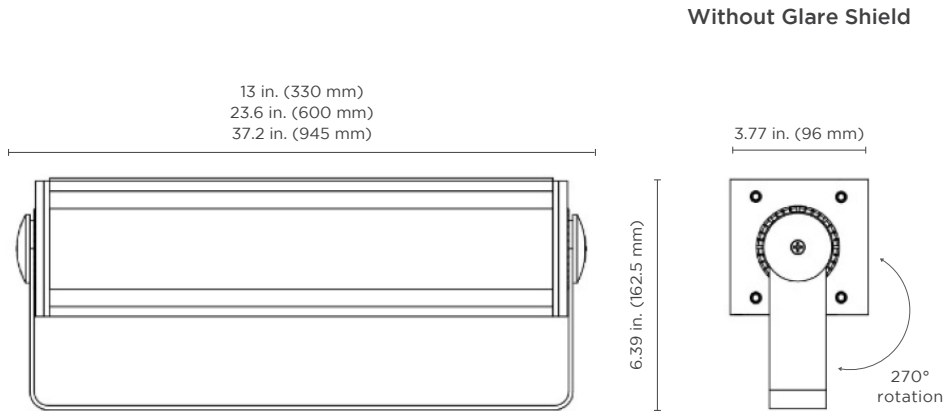


Acolyte does not warrant or represent that the information is free from errors or omission. The information may change without notice and Acolyte is not in any way liable for the accuracy of any information printed and stored or in any way interpreted or used.

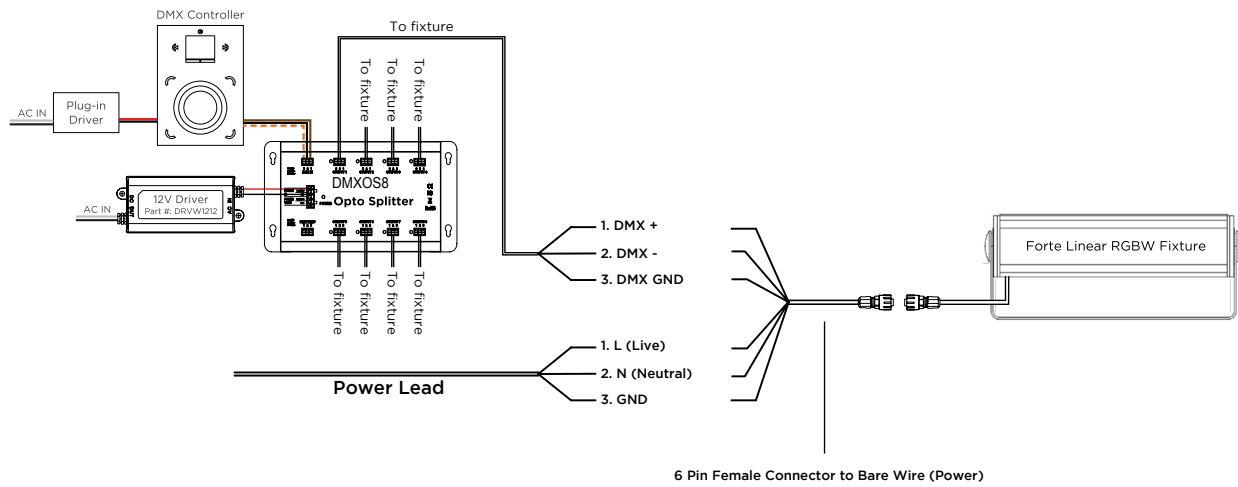
SPECIFICATIONS

Voltage	100-277 V AC																		
Available Lengths	13 in. / 330 mm						23.6 in. / 600 mm						37.2 in. / 945 mm						
Power Consumption	30 W						60 W						98 W						
Amperage	0.28 A @ 120V 0.15 A @ 230V 0.13 A @ 277V						0.45 A @ 120V 0.24 A @ 230V 0.21 A @ 277V						0.72 A @ 120V 0.38 A @ 230V 0.34 A @ 277V						
LED Beam Angle	20° x 20°	25° x 25°	30° x 30°	40° x 40°	65° x 65°	20° x 45°	20° x 20°	25° x 25°	30° x 30°	40° x 40°	65° x 65°	20° x 45°	20° x 20°	25° x 25°	30° x 30°	40° x 40°	65° x 65°	20° x 45°	
Lumen / Foot*	1375	1308.7	1047.8	1172.3	996.8	1192.5	1375	1308.7	1047.8	1172.3	996.8	1192.5	1375	1308.7	1047.8	1172.3	996.8	1192.5	
Lumen / Meter*	4511.2	4293.6	3437.6	3846.1	3270.3	3912.4	4511.2	4293.6	3437.6	3846.1	3270.3	3912.4	4511.2	4293.6	3437.6	3846.1	3270.3	3912.4	
Total Lumen*	1488.7	1416.9	1134.4	1269.2	1079.2	1291.1	2706.7	2576.2	2062.5	2307.6	1962.2	2347.5	4263.1	4057.5	3248.5	3634.5	3090.4	3697.2	
Lumens per Watt	49.6 lm/W at 4000K, 20°x20°																		
Color Temperature	RGBW (3000K, 4000K, 6000K)																		
Lumen Output	R = 288.7 lm / G = 522.2 lm / B = 158 lm / W = 470 lm / All on = 1488.7 lm (13 in., 20°x 20°)																		
Control System	DMX, RDM																		
CRI	80+ CRI																		
Driver Type	Constant voltage																		
Housing / Lens Materials	Housing: Extruded Aluminium Lens: Optical Grade PMMA End Caps: Die-Cast Aluminium Gasket: Silicone Rubber																		
Protection Rating	IP66																		
Mounting Options	End mounting bracket																		
Lamp Life	60,000 hours																		
Certifications	CE, ETL / Luminaires - UL 1598, 3rd Ed., issued September 17, 2008, Rev. October 17, 2012 / Luminaires - CSA C22.2 No.250.0-08, 3rd Ed., issued September 17, 2008, Rev. October 17, 2012 (R2013)																		
Fixture Color Finishes	Gray, custom RAL																		
Warranty	3 Years																		

DIMENSIONS



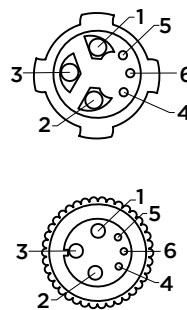
WIRING DIAGRAM & ACCESSORIES



6-PIN CONNECTOR AND WIRE SPECS

Cable	Function	Pin ID	Wire Size	Wire Color (US)
Power Lead in / Power Extension	L (Line)	1	16AWG	Black
	N (Neutral)	2	16AWG	White
	GND (Ground)	3	16AWG	Green
DMX	DMX +	4	22AWG	Purple
	DMX -	5	22AWG	Gray
	DMX GND	6	22AWG	Yellow

PIN ID:



6 Pin Female Connector to Bare Wire (Power)

To bare wire for incoming power
Lengths: 6.6 ft (2000 mm) and 19.7 ft (6000 mm)



Part Number:
MINICLFB6PIN2000 (6.6 ft / 2000 mm)
MINICLFB6PIN6000 (19.7 ft / 6000 mm)