

### FORTE LINEAR RGBW FIXTURE

The Forte Linear RGBW Fixture is a powerful Armor Series exterior fixture designed for signage, wall grazing or flood applications and landscape accents. Manufactured with high-density extruded aluminum and an optical grade PMMA lens, Forte Linear features a double row of high-brightness LEDs. Its low profile lets Forte Linear easily blend into a wide variety of applications. It is available in three standard lengths and six beam angles with an optional built-in glare shield. Choose color changing RGBW with three white light options. Compatible with DMX controls for theatrical effects.



- RGBW (3000K, 4000K, 6000K)
- 3 wattage/length options
  - 30 W at 13 in. (330 mm)
  - 60 W at 23.6 in. (600 mm)
  - 98 W at 37.2 in. (945 mm)
- 6 beam angles: 20x20°, 25x25°, 30x30°, 40x40°, 65x65°, 20x45°
- 1488.7 lm @ RGBW (4000K) all on (13 in., 20x20°)
- Standard gray finish, custom colors available
- Rated IP66 for dry, damp and wet locations
- Tilttable stand rotates up to 270°
- 3-year warranty



### ORDERING GUIDE

Category	Input Voltage	Glare Shield	Length
FORTE	AC		
FORTE - Forte	AC - 100-277 V AC	GS - Glare Shield NS - No Shield	12 - 13 in. / 330 mm (30 W) 24 - 23.6 in. / 600 mm (60 W) 36 - 37.2 in. / 945 mm (98 W)

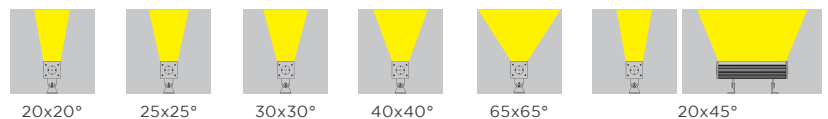
Color Temperature	FWHM Beam Angle	
RGB30 - RGBW (3000K)	20 - 20x20°	40 - 40x40°
RGB40 - RGBW (4000K)	25 - 25x25°	65 - 65x65°
RGB60 - RGBW (6000K)	30 - 30x30°	20x45 - 20x45°

### AVAILABLE COLOR TEMPERATURES



RGBW

### AVAILABLE BEAM ANGLES



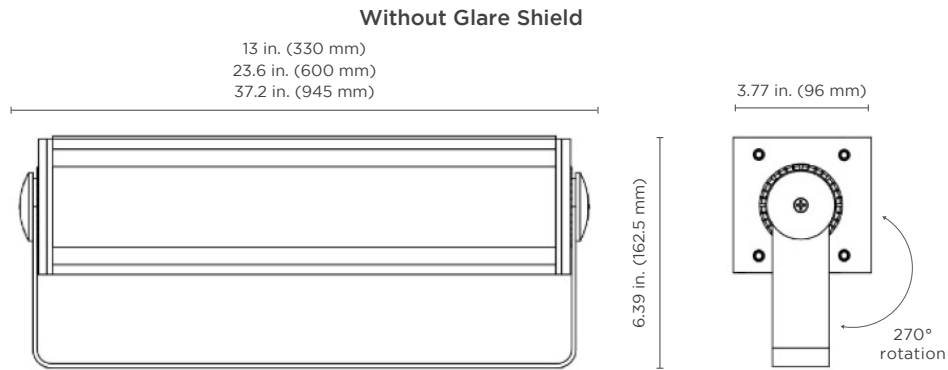
Acolyte does not warrant or represent that the information is free from errors or omission. The information may change without notice and Acolyte is not in any way liable for the accuracy of any information printed and stored or in any way interpreted or used.



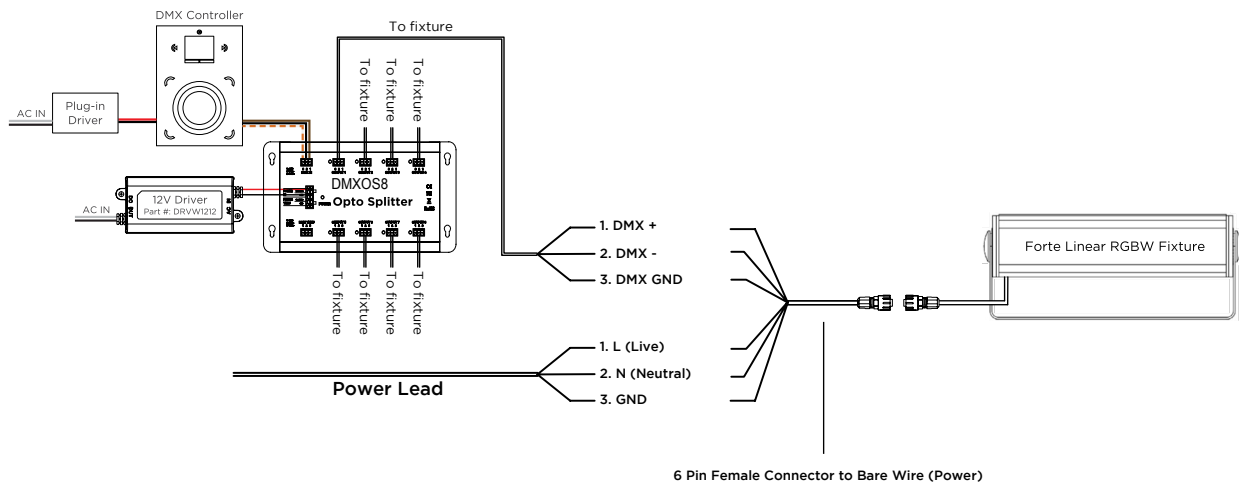
**SPECIFICATIONS**

<b>Voltage</b>	100-277 VAC																	
<b>Available Lengths</b>	13 in. / 330 mm						23.6 in. / 600 mm						37.2 in. / 945 mm					
<b>Power Consumption</b>	30 W						60 W						98 W					
<b>Amperage</b>	0.28 A @ 120 V 0.15 A @ 230 V 0.13 A @ 277 V						0.45 A @ 120 V 0.24 A @ 230 V 0.21 A @ 277 V						0.72 A @ 120 V 0.38 A @ 230 V 0.34 A @ 277 V					
<b>LED Beam Angle</b>	20 x 20°	25 x 25°	30 x 30°	40 x 40°	65 x 65°	20 x 45°	20 x 20°	25 x 25°	30 x 30°	40 x 40°	65 x 65°	20 x 45°	20 x 20°	25 x 25°	30 x 30°	40 x 40°	65 x 65°	20 x 45°
<b>Lumen / Foot*</b>	1375	1308.7	1047.8	1172.3	996.8	1192.5	1375	1308.7	1047.8	1172.3	996.8	1192.5	1375	1308.7	1047.8	1172.3	996.8	1192.5
<b>Lumen / Meter*</b>	4511.2	4293.6	3437.6	3846.1	3270.3	3912.4	4511.2	4293.6	3437.6	3846.1	3270.3	3912.4	4511.2	4293.6	3437.6	3846.1	3270.3	3912.4
<b>Total Lumen*</b>	1488.7	1416.9	1134.4	1269.2	1079.2	1291.1	2706.7	2576.2	2062.5	2307.6	1962.2	2347.5	4263.1	4057.5	3248.5	3634.5	3090.4	3697.2
<b>Lumens per Watt</b>	49.6 lm/W at 4000K, 20x20°																	
<b>Color Temperature</b>	RGBW (3000K, 4000K, 6000K)																	
<b>Lumen Output</b>	R = 288.7 lm / G = 522.2 lm / B = 158 lm / W = 470 lm / All on = 1488.7 lm (13 in., 20x20°)																	
<b>Control System</b>	DMX, RDM																	
<b>CRI</b>	80+ CRI																	
<b>Driver Type</b>	Constant voltage																	
<b>Housing / Lens Materials</b>	Housing: Extruded Aluminium Lens: Optical Grade PMMA End Caps: Die-Cast Aluminium Gasket: Silicone Rubber																	
<b>Protection Rating</b>	IP66																	
<b>Mounting Options</b>	End mounting bracket																	
<b>Lamp Life</b>	60,000 hours																	
<b>Certifications</b>	CE, ETL / Luminaires - UL 1598, 3rd Ed., issued September 17, 2008, Rev. October 17, 2012 / Luminaires - CSA C22.2 No.250.0-08, 3rd Ed., issued September 17, 2008, Rev. October 17, 2012 (R2013)																	
<b>Fixture Color Finishes</b>	Gray, custom RAL																	
<b>Warranty</b>	3 years																	

DIMENSIONS



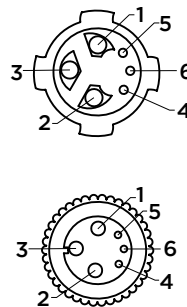
WIRING DIAGRAM & ACCESSORIES



6-PIN CONNECTOR AND WIRE SPECS

Cable	Function	Pin ID	Wire Size	Wire Color (US)
Power Lead in / Power Extension	L (Line)	1	16AWG	Black
	N (Neutral)	2	16AWG	White
	GND (Ground)	3	16AWG	Green
DMX	DMX +	4	22AWG	Purple
	DMX -	5	22AWG	Gray
	DMX GND	6	22AWG	Yellow

PIN ID:



6 Pin Female Connector to Bare Wire (Power)

To bare wire for incoming power  
Lengths: 6.6 ft (2000 mm) and 19.7 ft (6000 mm)



Part Number:  
MINICBLFB6PIN2000 (6.6 ft / 2000 mm)  
MINICBLFB6PIN6000 (19.7 ft / 6000 mm)

REV.26NOV2024

GLOBAL HQ

320 Murray Hill Pkwy  
East Rutherford, NJ 07073  
U.S.  
T: (+1) 212 629 6830  
E: Sales-US@GENLEDBrands.com

EUROPEAN HQ

Hogeweyselaan 119  
1382 JK Weesp  
Netherlands  
T: (+31) 346 235 000  
E: SalesEurope@GENLEDBrands.com

MEINA HQ

PO Box 371378, #823, Building 4EA  
Dubai Airport Free Zone, Dubai, UAE  
T: (+971) 4 701 7901  
E: SalesMEINA@genlebrands.com

ASIA-PACIFIC HQ

Room 402, Building D  
Shenshi Tongchuang Science and Technology Park  
No. 16 Hongyin Road  
Xingqiang Community, Xihu Street  
Guangming District, Shenzhen, China 518107  
Sales: (+86) 139 1836 3905  
Office: (+86) 755 8529 0710  
E: Sales-Pacific@GENLEDBrands.com