

FORTE LINEAR FIXTURE

The Forte Linear Fixture is a powerful Armor Series exterior fixture designed for signage, wall grazing or flood applications and landscape accents. Manufactured with high-density extruded aluminum and an optical grade PMMA lens, Forte Linear features a double row of high-brightness LEDs. Its low profile lets Forte Linear easily blend into a wide variety of applications. It is available in three standard lengths and five beam angles with an optional built-in glare shield. Choose from six Static White CCTs.



- 6 CCTs (2700K, 3000K, 3500K, 4000K, 5000K, 6000K)
- 3 wattage/length options
 - 33W at 13 in. (330 mm)
 - 52W at 23.6 in. (600 mm)
 - 84W at 37.2 in. (945 mm)
- 5 beam angles: 15°x15°, 25°x25°, 45°x45°, 70°x70°, 15°x45°
- 2951.7 lm @ 4000K (13 in., 15°x15°)
- Standard gray finish, custom colors available
- Rated IP66 for dry, damp and wet locations
- Tilttable stand rotates up to 270°
- 3-year warranty

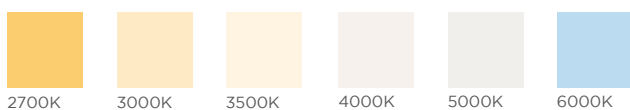


ORDERING GUIDE

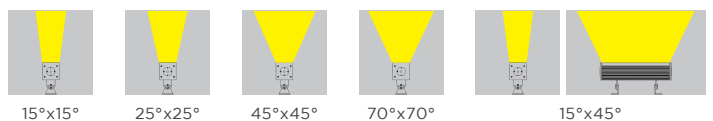
Category	CRI	Input Voltage	Glare Shield	Length
FORTE		AC		
FORTE - Forte	80 - 80+ CRI (2700-5000K)	AC - 100-277V AC	GS - Glare Shield	12 - 13 in. / 330 mm (33 W)
	70 - 70+ CRI (6000K)		NS - No Shield	24 - 23.6 in. / 600 mm (52 W)
				36 - 37.2 in. / 945 mm (84 W)

Color Temperature		FWHM Beam Angle	
27 - 2700K	40 - 4000K	15 - 15°x15°	70 - 70°x70°
30 - 3000K	50 - 5000K	25 - 25°x25°	15x45 - 15°x45°
35 - 3500K	60 - 6000K	45 - 45°x45°	

AVAILABLE COLOR TEMPERATURES



AVAILABLE BEAM ANGLES



Acolyte does not warrant or represent that the information is free from errors or omission. The information may change without notice and Acolyte is not in any way liable for the accuracy of any information printed and stored or in any way interpreted or used.

SPECIFICATIONS

Voltage	100-277V AC (constant current)		
Available Lengths	13 in. / 330 mm	23.6 in. / 600 mm	37.2 in. / 945 mm
Power Consumption	33 W	52 W	84 W
Amperage	0.26A @ 120V, 0.14A @ 230V, 0.12A @ 277V	0.52A @ 120V, 0.27A @ 230V, 0.24A @ 277V	0.84A @ 120V, 0.45A @ 230V, 0.39A @ 277V
Lumens per Watt	80 lm/W @ 4000K, 15°x15°		
Color Temperature	2700K, 3000K, 3500K, 4000K, 5000K, 6000K		
LED Beam Angle	15°x15°, 25°x25°, 45°x45°, 70°x70°, 15°x45°		
Control System	Dimming ON/OFF, 0-10V		
CRI	80+ CRI (2700K-5000K), 70+ CRI (6000K)		
Housing / Lens Materials	Housing: Extruded Aluminium / Lens: Optical Grade PMMA / End Caps: Die-Cast Aluminium / Gasket: Silicone Rubber		
Protection Rating	IP66		
Mounting Options	End mounting bracket		
Lamp Life	60,000 hours		
Certifications	CE, ETL / Luminaires - UL 1598, 3rd Ed., issued September 17, 2008, Rev. October 17, 2012 / Luminaires - CSA C22.2 No.250.0-08, 3rd Ed., issued September 17, 2008, Rev. October 17, 2012 (R2013)		
Fixture Color Finishes	Gray, Custom RAL		
Warranty	3 Years		

LUMEN OUTPUT - ALL LENGTHS

Beam Angle	2700K	3000K	3500K	4000K	5000K	6000K
15°x 15°	2453.7 lm/ft (8050.1 lm/m)	2590 lm/ft (8497.3 lm/m)	2707.2 lm/ft (8882 lm/m)	2726.3 lm/ft (8944.6 lm/m)	3026.2 lm/ft (9928.5 lm/m)	2895.3 lm/ft (9499.1 lm/m)
25°x 55°	2528.9 lm/ft (8296.9 lm/m)	2669.4 lm/ft (8757.9 lm/m)	2790.2 lm/ft (9154.3 lm/m)	2809.9 lm/ft (9218.8 lm/m)	3119 lm/ft (10232.9 lm/m)	2984.1 lm/ft (9790.4 lm/m)
45°x 45°	2270.7 lm/ft (7449.8 lm/m)	2396.9 lm/ft (7863.7 lm/m)	2505.3 lm/ft (8219.6 lm/m)	2523 lm/ft (8277.6 lm/m)	2800.5 lm/ft (9188.1 lm/m)	2679.4 lm/ft (8790.8 lm/m)
70°x 70°	1930.8 lm/ft (6334.6 lm/m)	2038.1 lm/ft (6686.6 lm/m)	2130.3 lm/ft (6989.2 lm/m)	2145.3 lm/ft (7038.5 lm/m)	2381.3 lm/ft (7812.7 lm/m)	2278.3 lm/ft (7474.9 lm/m)
15x45°	2486 lm/ft (8156.2 lm/m)	2624.1 lm/ft (8609.3 lm/m)	2742.9 lm/ft (8999 lm/m)	2762.2 lm/ft (9062.4 lm/m)	3066.1 lm/ft (10059.3 lm/m)	2933.5 lm/ft (9624.3 lm/m)

TOTAL LUMENS - 13 in. / 330 mm

Beam Angle	2700K	3000K	3500K	4000K	5000K	6000K
15°x 15°	2656.5	2804.1	2931	2951.7	3276.4	3134.7
25°x 55°	2738	2890.1	3020.9	3042.2	3376.8	3230.8
45°x 45°	2458.4	2595	2712.5	2731.6	3032.1	2901
70°x 70°	2090.4	2206.6	2306.4	2322.7	2578.2	2466.7
15x45°	2691.5	2841.1	2969.7	2990.6	3319.6	3176

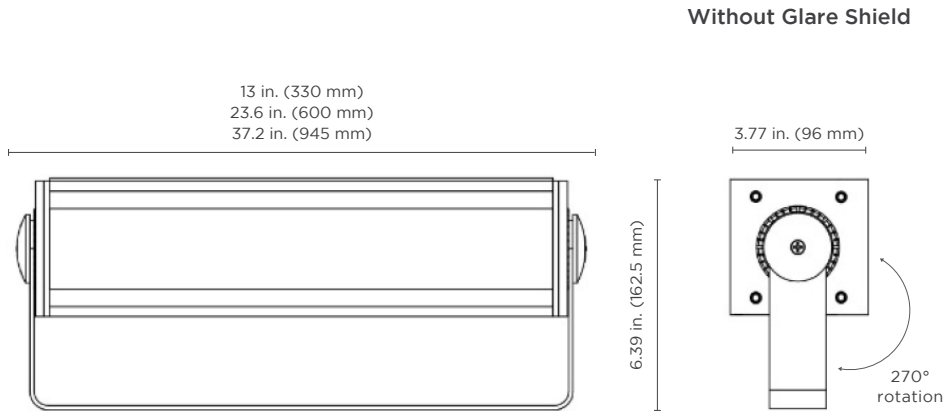
TOTAL LUMENS - 23.6 in. / 600 mm

Beam Angle	2700K	3000K	3500K	4000K	5000K	6000K
15°x 15°	4830.1	5098.4	5329.2	5366.7	5957.1	5699.5
25°x 55°	4978.1	5254.7	5492.6	5531.3	6139.7	5874.2
45°x 45°	4469.9	4718.2	4931.8	4966.5	5512.9	5274.5
70°x 70°	3800.8	4011.9	4193.5	4223.1	4687.6	4484.9
15x45°	4893.7	5165.6	5399.4	5437.5	6035.6	5774.6

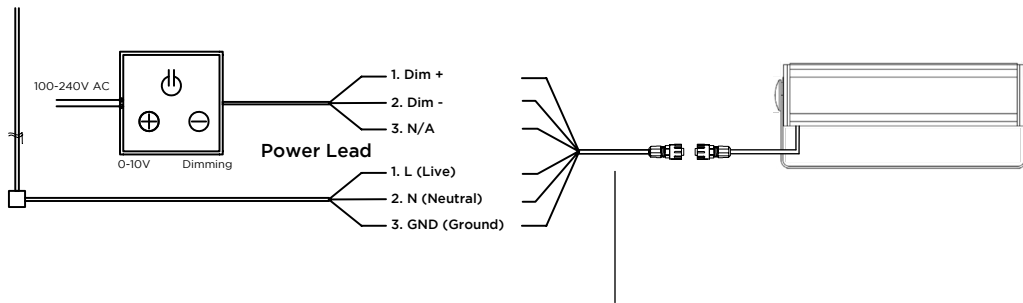
TOTAL LUMENS - 37.2in. / 945 mm

Beam Angle	2700K	3000K	3500K	4000K	5000K	6000K
15°x 15°	7607.3	8030	8393.4	8452.6	9382.4	8976.7
25°x 55°	7840.6	8276.2	8650.8	8711.8	9670	9251.9
45°x 45°	7040.1	7431.2	7767.6	7822.3	8682.8	8307.3
70°x 70°	5986.2	6318.8	6604.8	6651.4	7383	7063.8
15x45°	7707.6	8135.8	8504	8564	9506	9095

DIMENSIONS



WIRING DIAGRAM & ACCESSORIES

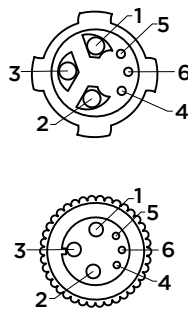


6 Pin Female Connector to Bare Wire (Power)
 1. MINICBLFB6PIN2000 (6.6 ft / 2000 mm)
 2. MINICBLFB6PIN6000 (19.7 ft / 6000 mm)

6-PIN CONNECTOR AND WIRE SPECS

Cable	Function	Pin ID	Wire Size	Wire Color (US)
Power Lead in / Power Extension	L (Line)	1	16AWG	Black
	N (Neutral)	2	16AWG	White
	GND (Ground)	3	16AWG	Green
Dimming	DIM +	4	22AWG	Purple
	DIM -	5	22AWG	Gray
	N/A	6	22AWG	Yellow

PIN ID:



6 Pin Cable with Female Connector to Bare Wire (Power)

To bare wire for incoming power
 Lengths: 78.74 in. (2000 mm) and 19.7 ft (6000 mm)



Part Number:
 MINICBLFB6PIN2000 (6.6 ft / 2000 mm)
 MINICBLFB6PIN6000 (19.7 ft / 6000 mm)