

FORTE LINEAR FIXTURE

The Forte Linear Fixture is a powerful Armor Series exterior fixture designed for signage, wall grazing or flood applications and landscape accents. Manufactured with high-density extruded aluminum and an optical grade PMMA lens, Forte Linear features a double row of high-brightness LEDs. Its low profile lets Forte Linear easily blend into a wide variety of applications. It is available in three standard lengths and five beam angles with an optional built-in glare shield. Choose from six Static White CCTs.



- 6 CCTs (2700K, 3000K, 3500K, 4000K, 5000K, 6000K)
- 3 wattage/length options
 - 33W at 13 in. (330 mm)
 - 52W at 23.6 in. (600 mm)
 - 84W at 37.2 in. (945 mm)
- 5 beam angles: 15°x15°, 25°x25°, 45°x45°, 70°x70°, 15°x45°
- 2640 lm @ 4000K (13 in., 15°x15°)
- Standard gray finish, custom colors available
- Rated IP66 for dry, damp and wet locations
- Tilttable stand rotates up to 270°
- 3-year warranty

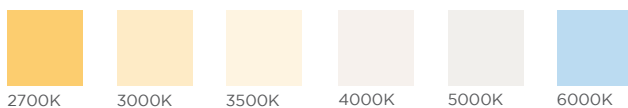


ORDERING GUIDE

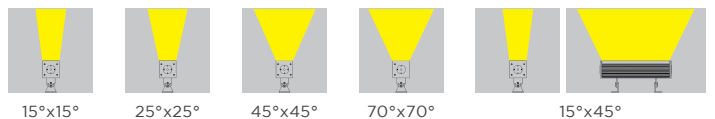
Category	CRI	Input Voltage	Glare Shield	Length
FORTE		AC		
FORTE - Forte	80 - 80+ CRI (2700-5000K)	AC - 100-277V AC	GS - Glare Shield	12 - 13 in. / 330 mm (33 W)
	70 - 70+ CRI (6000K)		NS - No Shield	24 - 23.6 in. / 600 mm (52 W)
				36 - 37.2 in. / 945 mm (84 W)

Color Temperature		FWHM Beam Angle	
27 - 2700K	40 - 4000K	15 - 15°x15°	70 - 70°x70°
30 - 3000K	50 - 5000K	25 - 25°x25°	15x45 - 15°x45°
35 - 3500K	60 - 6000K	45 - 45°x45°	

AVAILABLE COLOR TEMPERATURES



AVAILABLE BEAM ANGLES



Acolyte does not warrant or represent that the information is free from errors or omission. The information may change without notice and Acolyte is not in any way liable for the accuracy of any information printed and stored or in any way interpreted or used.

SPECIFICATIONS

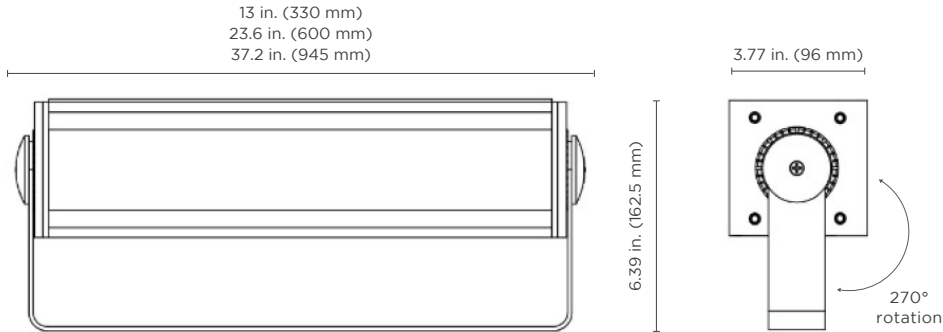
Voltage	100-277V AC		
Length	13 in. / 330 mm	23.6 in. / 600 mm	37.2 in. / 945 mm
Power Consumption	33 W	52 W	84 W
Amperage	0.26 A @ 120V 0.14 A @ 230V 0.12 A @ 277V	0.52 A @ 120V 0.27 A @ 230V 0.24 A @ 277V	0.84 A @ 120V 0.45 A @ 230V 0.39 A @ 277V
Lumens per Watt	80 lm/W @ 4000K, 15°x15°		
Color Temperature	2700K, 3000K, 3500K, 4000K, 5000K, 6000K		
Available Lengths	13 in. (330 mm), 23.6 in. (600 mm), 37.2 in. (945 mm)		
LED Beam Angle	15°x15°, 25°x25°, 45°x45°, 70°x70°, 15°x45°		
Control System	Dimming ON/OFF, 0-10V		
CRI	80+ CRI (2700K-5000K) 70+ CRI (6000K)		
Driver Type	Constant current		
Housing / Lens Materials	Housing: Extruded Aluminium Lens: Optical Grade PMMA End Caps: Die-Cast Aluminium Gasket: Silicone Rubber		
Protection Rating	IP66		
Mounting Options	End mounting bracket		
Lamp Life	60,000 hours		
Certifications	CE, ETL / Luminaires - UL 1598, 3rd Ed., issued September 17, 2008, Rev. October 17, 2012 / Luminaires - CSA C22.2 No.250.0-08, 3rd Ed., issued September 17, 2008, Rev. October 17, 2012 (R2013)		
Fixture Color Finishes	Gray, Custom RAL		
Warranty	3 Years		

LUMEN OUTPUT TABLE

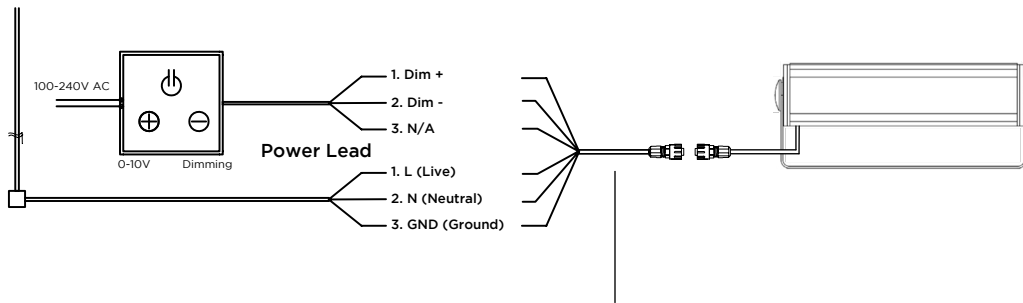
Beam Angles	Color Temperature					
	2700K	3000K	3500K	4000K	5000K	6000K
15°	2460 lm/ft (8069 lm/m)	2596 lm/ft (8515 lm/m)	2714 lm/ft (8902 lm/m)	2733 lm/ft (8964 lm/m)	3033 lm/ft (9948 lm/m)	2902 lm/ft (9519 lm/m)
25°	2535 lm/ft (8315 lm/m)	2676 lm/ft (8777 lm/m)	2797 lm/ft (9174 lm/m)	2817 lm/ft (9240 lm/m)	3127 lm/ft (10257 lm/m)	2991 lm/ft (9811 lm/m)
45°	2276 lm/ft (7465 lm/m)	2403 lm/ft (7882 lm/m)	2511 lm/ft (8236 lm/m)	2529 lm/ft (8295 lm/m)	2807 lm/ft (9207 lm/m)	2686 lm/ft (8810 lm/m)
70°	1925 lm/ft (6314 lm/m)	2043 lm/ft (6701 lm/m)	2135 lm/ft (7003 lm/m)	2150 lm/ft (7052 lm/m)	2387 lm/ft (7829 lm/m)	2284 lm/ft (7492 lm/m)
15x45°	2492 lm/ft (8174 lm/m)	2630 lm/ft (8626 lm/m)	2749 lm/ft (9017 lm/m)	2769 lm/ft (9082 lm/m)	3073 lm/ft (10079 lm/m)	2941 lm/ft (9647 lm/m)

DIMENSIONS

Without Glare Shield



WIRING DIAGRAM & ACCESSORIES

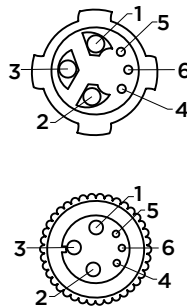


6 Pin Female Connector to Bare Wire (Power)
1. MINICBLFB6PIN2000 (6.6 ft / 2000 mm)
2. MINICBLFB6PIN6000 (19.7 ft / 6000 mm)

6-PIN CONNECTOR AND WIRE SPECS

Cable	Function	Pin ID	Wire Size	Wire Color (US)
Power Lead in / Power Extension	L (Line)	1	16AWG	Black
	N (Neutral)	2	16AWG	White
	GND (Ground)	3	16AWG	Green
Dimming	DIM +	4	22AWG	Purple
	DIM -	5	22AWG	Gray
	N/A	6	22AWG	Yellow

PIN ID:



6 Pin Cable with Female Connector to Bare Wire (Power)

To bare wire for incoming power
Lengths: 78.74 in. (2000 mm) and 19.7 ft (6000 mm)



Part Number:
MINICBLFB6PIN2000 (6.6 ft / 2000 mm)
MINICBLFB6PIN6000 (19.7 ft / 6000 mm)