

### FORTE LINEAR FIXTURE

The Forte Linear Fixture is a powerful Armor Series exterior fixture designed for signage, wall grazing or flood applications and landscape accents. Manufactured with high-density extruded aluminum and an optical grade PMMA lens, Forte Linear features a double row of high-brightness LEDs. Its low profile lets Forte Linear easily blend into a wide variety of applications. It is available in three standard lengths and five beam angles with an optional built-in glare shield. Choose from six Static White CCTs.



- 6 CCTs (2700K, 3000K, 3500K, 4000K, 5000K, 6000K)
- 3 wattage/length options
  - 33 W at 13 in. (330 mm)
  - 52 W at 23.6 in. (600 mm)
  - 84 W at 37.2 in. (945 mm)
- 5 beam angles: 15x15°, 25x25°, 45x45°, 70x70°, 15x45°
- 2951.7 lm @ 4000K (13 in., 15x15°)
- Standard gray finish, custom colors available
- Rated IP66 for dry, damp and wet locations
- Tiltable stand rotates up to 270°
- 3-year warranty

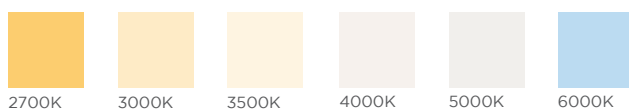


### ORDERING GUIDE

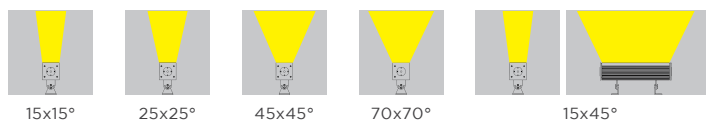
| Category             | CRI                              | Input Voltage           | Glare Shield             | Length                               |
|----------------------|----------------------------------|-------------------------|--------------------------|--------------------------------------|
| <b>FORTE</b>         |                                  | <b>AC</b>               |                          |                                      |
| <b>FORTE - Forte</b> | <b>80 - 80+ CRI (2700-5000K)</b> | <b>AC - 100-277 VAC</b> | <b>GS - Glare Shield</b> | <b>12 - 13 in. / 330 mm (33 W)</b>   |
|                      | <b>70 - 70+ CRI (6000K)</b>      |                         | <b>NS - No Shield</b>    | <b>24 - 23.6 in. / 600 mm (52 W)</b> |
|                      |                                  |                         |                          | <b>36 - 37.2 in. / 945 mm (84 W)</b> |

| Color Temperature |                   | FWHM Beam Angle    |                       |
|-------------------|-------------------|--------------------|-----------------------|
| <b>27 - 2700K</b> | <b>40 - 4000K</b> | <b>15 - 15x15°</b> | <b>70 - 70x70°</b>    |
| <b>30 - 3000K</b> | <b>50 - 5000K</b> | <b>25 - 25x25°</b> | <b>15x45 - 15x45°</b> |
| <b>35 - 3500K</b> | <b>60 - 6000K</b> | <b>45 - 45x45°</b> |                       |

### AVAILABLE COLOR TEMPERATURES



### AVAILABLE BEAM ANGLES



Acolyte does not warrant or represent that the information is free from errors or omission. The information may change without notice and Acolyte is not in any way liable for the accuracy of any information printed and stored or in any way interpreted or used.

**SPECIFICATIONS**

|                                 |   |  |  |
|---------------------------------|---|--|--|
| <b>Voltage</b>                  | 100-277 VAC (constant current)  |  |  |
| <b>Available Lengths</b>        | 13 in. / 330 mm   | 23.6 in. / 600 mm                              | 37.2 in. / 945 mm                              |
| <b>Power Consumption</b>        | 33 W  | 52 W   | 84 W   |
| <b>Amperage</b>                 | 0.26 A @ 120 V, 0.14 A @ 230 V, 0.12 A @ 277 V  | 0.52 A @ 120 V, 0.27 A @ 230 V, 0.24 A @ 277 V | 0.84 A @ 120 V, 0.45 A @ 230 V, 0.39 A @ 277 V |
| <b>Lumens per Watt</b>          | 80 lm/W @ 4000K, 15x15°   |  |  |
| <b>Color Temperature</b>        | 2700K, 3000K, 3500K, 4000K, 5000K, 6000K  |  |  |
| <b>LED Beam Angle</b>           | 15x15°, 25x25°, 45x45°, 70x70°, 15x45°  |  |  |
| <b>Control System</b>           | Dimming ON/OFF, 0-10 V  |  |  |
| <b>CRI</b>                      | 80+ CRI (2700K-5000K), 70+ CRI (6000K)  |  |  |
| <b>Housing / Lens Materials</b> | Housing: Extruded Aluminium / Lens: Optical Grade PMMA / End Caps: Die-Cast Aluminium / Gasket: Silicone Rubber   |  |  |
| <b>Protection Rating</b>        | IP66  |  |  |
| <b>Mounting Options</b>         | End mounting bracket  |  |  |
| <b>Lamp Life</b>                | 60,000 hours  |  |  |
| <b>Certifications</b>           | CE, ETL / Luminaires – UL 1598, 3rd Ed., issued September 17, 2008, Rev. October 17, 2012 / Luminaires – CSA C22.2 No.250.0-08, 3rd Ed., issued September 17, 2008, Rev. October 17, 2012 (R2013) |  |  |
| <b>Fixture Color Finishes</b>   | Gray, Custom RAL  |  |  |
| <b>Warranty</b>                 | 3 years   |  |  |

**LUMEN OUTPUT - ALL LENGTHS**

| Beam Angle | 2700K                      | 3000K                      | 3500K                      | 4000K                      | 5000K                       | 6000K                      |
|------------|----------------------------|----------------------------|----------------------------|----------------------------|-----------------------------|----------------------------|
| 15x15°     | 2453.7 lm/ft (8050.1 lm/m) | 2590 lm/ft (8497.3 lm/m)   | 2707.2 lm/ft (8882 lm/m)   | 2726.3 lm/ft (8944.6 lm/m) | 3026.2 lm/ft (9928.5 lm/m)  | 2895.3 lm/ft (9499.1 lm/m) |
| 25x25°     | 2528.9 lm/ft (8296.9 lm/m) | 2669.4 lm/ft (8757.9 lm/m) | 2790.2 lm/ft (9154.3 lm/m) | 2809.9 lm/ft (9218.8 lm/m) | 3119 lm/ft (10232.9 lm/m)   | 2984.1 lm/ft (9790.4 lm/m) |
| 45x45°     | 2270.7 lm/ft (7449.8 lm/m) | 2396.9 lm/ft (7863.7 lm/m) | 2505.3 lm/ft (8219.6 lm/m) | 2523 lm/ft (8277.6 lm/m)   | 2800.5 lm/ft (9188.1 lm/m)  | 2679.4 lm/ft (8790.8 lm/m) |
| 70x70°     | 1930.8 lm/ft (6334.6 lm/m) | 2038.1 lm/ft (6686.6 lm/m) | 2130.3 lm/ft (6989.2 lm/m) | 2145.3 lm/ft (7038.5 lm/m) | 2381.3 lm/ft (7812.7 lm/m)  | 2278.3 lm/ft (7474.9 lm/m) |
| 15x45°     | 2486 lm/ft (8156.2 lm/m)   | 2624.1 lm/ft (8609.3 lm/m) | 2742.9 lm/ft (8999 lm/m)   | 2762.2 lm/ft (9062.4 lm/m) | 3066.1 lm/ft (10059.3 lm/m) | 2933.5 lm/ft (9624.3 lm/m) |

**TOTAL LUMENS - 13 in. / 330 mm**

| Beam Angle | 2700K  | 3000K  | 3500K  | 4000K  | 5000K  | 6000K  |
|------------|--------|--------|--------|--------|--------|--------|
| 15x15°     | 2656.5 | 2804.1 | 2931   | 2951.7 | 3276.4 | 3134.7 |
| 25x25°     | 2738   | 2890.1 | 3020.9 | 3042.2 | 3376.8 | 3230.8 |
| 45x45°     | 2458.4 | 2595   | 2712.5 | 2731.6 | 3032.1 | 2901   |
| 70x70°     | 2090.4 | 2206.6 | 2306.4 | 2322.7 | 2578.2 | 2466.7 |
| 15x45°     | 2691.5 | 2841.1 | 2969.7 | 2990.6 | 3319.6 | 3176   |

**TOTAL LUMENS - 23.6 in. / 600 mm**

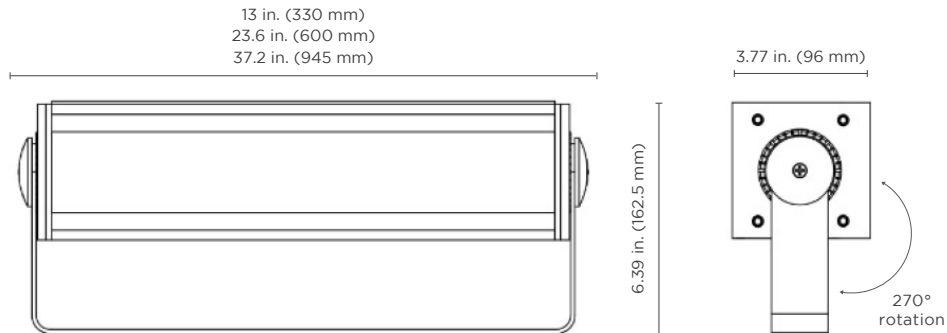
| Beam Angle | 2700K  | 3000K  | 3500K  | 4000K  | 5000K  | 6000K  |
|------------|--------|--------|--------|--------|--------|--------|
| 15x15°     | 4830.1 | 5098.4 | 5329.2 | 5366.7 | 5957.1 | 5699.5 |
| 25x25°     | 4978.1 | 5254.7 | 5492.6 | 5531.3 | 6139.7 | 5874.2 |
| 45x45°     | 4469.9 | 4718.2 | 4931.8 | 4966.5 | 5512.9 | 5274.5 |
| 70x70°     | 3800.8 | 4011.9 | 4193.5 | 4223.1 | 4687.6 | 4484.9 |
| 15x45°     | 4893.7 | 5165.6 | 5399.4 | 5437.5 | 6035.6 | 5774.6 |

**TOTAL LUMENS - 37.2 in. / 945 mm**

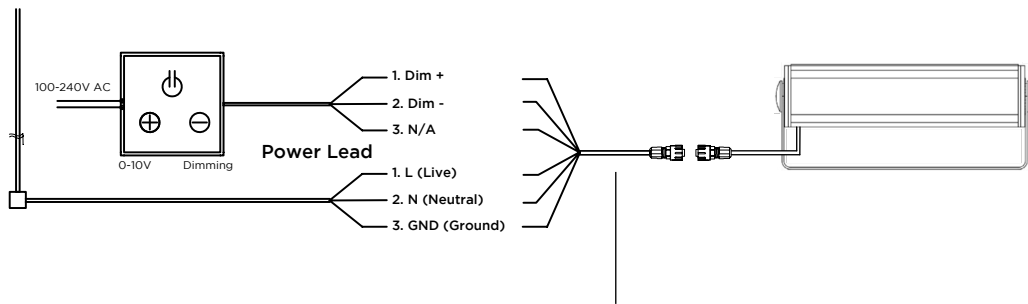
| Beam Angle | 2700K  | 3000K  | 3500K  | 4000K  | 5000K  | 6000K  |
|------------|--------|--------|--------|--------|--------|--------|
| 15x15°     | 7607.3 | 8030   | 8393.4 | 8452.6 | 9382.4 | 8976.7 |
| 25x25°     | 7840.6 | 8276.2 | 8650.8 | 8711.8 | 9670   | 9251.9 |
| 45x45°     | 7040.1 | 7431.2 | 7767.6 | 7822.3 | 8682.8 | 8307.3 |
| 70x70°     | 5986.2 | 6318.8 | 6604.8 | 6651.4 | 7383   | 7063.8 |
| 15x45°     | 7707.6 | 8135.8 | 8504   | 8564   | 9506   | 9095   |

DIMENSIONS

Without Glare Shield



WIRING DIAGRAM & ACCESSORIES



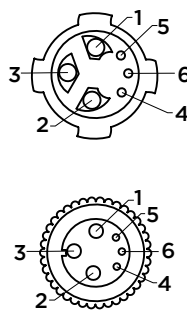
6 Pin Female Connector to Bare Wire (Power)

- 1. MINICBLFB6PIN2000 (6.6 ft / 2000 mm)
- 2. MINICBLF6PIN6000 (19.7 ft / 6000 mm)

6-PIN CONNECTOR AND WIRE SPECS

| Cable                           | Function     | Pin ID | Wire Size | Wire Color (US) |
|---------------------------------|--------------|--------|-----------|-----------------|
| Power Lead in / Power Extension | L (Line)     | 1      | 16AWG     | Black           |
|                                 | N (Neutral)  | 2      | 16AWG     | White           |
|                                 | GND (Ground) | 3      | 16AWG     | Green           |
| Dimming                         | DIM +        | 4      | 22AWG     | Purple          |
|                                 | DIM -        | 5      | 22AWG     | Gray            |
|                                 | N/A          | 6      | 22AWG     | Yellow          |

PIN ID:



6 Pin Cable with Female Connector to Bare Wire (Power)

To bare wire for incoming power  
Lengths: 78.74 in. (2000 mm) and 19.7 ft (6000 mm)



Part Number:  
MINICBLFB6PIN2000 (6.6 ft / 2000 mm)  
MINICBLF6PIN6000 (19.7 ft / 6000 mm)

REV.26NOV2024

GLOBAL HQ

320 Murray Hill Pkwy  
East Rutherford, NJ 07073  
U.S.  
T: (+1) 212 629 6830  
E: Sales-US@GENLEDBrands.com

EUROPEAN HQ

Hogeweyselaan 119  
1382 JK Weesp  
Netherlands  
T: (+31) 346 235 000  
E: SalesEurope@GENLEDBrands.com

MEINA HQ

PO Box 371378, #823, Building 4EA  
Dubai Airport Free Zone, Dubai, UAE  
T: (+971) 4 701 7901  
E: SalesMEINA@genlebrands.com

ASIA-PACIFIC HQ

Room 402, Building D  
Shenshi Tongchuang Science and Technology Park  
No. 16 Hongyin Road  
Xingqiang Community, Xihu Street  
Guangming District, Shenzhen, China 518107  
Sales: (+86) 139 1836 3905  
Office: (+86) 755 8529 0710  
E: Sales-Pacific@GENLEDBrands.com