

### FORTE LINEAR FIXTURE

The Forte Linear Fixture is a powerful Armor Series exterior fixture designed for signage, wall grazing or flood applications and landscape accents. Manufactured with high-density extruded aluminum and an optical grade PMMA lens, Forte Linear features a double row of high-brightness LEDs. Its low profile lets Forte Linear easily blend into a wide variety of applications. It is available in three standard lengths and five beam angles with an optional built-in glare shield. Choose from six Static White CCTs.



- 6 CCTs (2700K, 3000K, 3500K, 4000K, 5000K, 6000K)
- 3 wattage/length options
  - 33W at 13 in. (330 mm)
  - 52W at 23.6 in. (600 mm)
  - 84W at 37.2 in. (945 mm)
- 5 beam angles: 15°x15°, 25°x25°, 45°x45°, 70°x70°, 15°x45°
- 2640 lm @ 4000K (13 in., 15°x15°)
- Standard gray finish, custom colors available
- Rated IP66 for dry, damp and wet locations
- Tilttable stand rotates up to 270°
- 3-year warranty

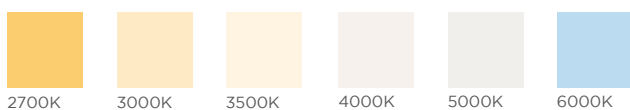


### ORDERING GUIDE

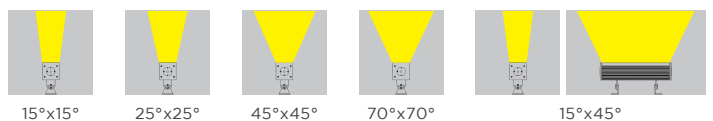
Category	CRI	Input Voltage	Glare Shield	Length
<b>FORTE</b>		<b>AC</b>		
<b>FORTE - Forte</b>	<b>80 - 80+ CRI (2700-5000K)</b>	<b>AC - 100-277V AC</b>	<b>GS - Glare Shield</b>	<b>12 - 13 in. / 330 mm (33 W)</b>
	<b>70 - 70+ CRI (6000K)</b>		<b>NS - No Shield</b>	<b>24 - 23.6 in. / 600 mm (52 W)</b>
				<b>36 - 37.2 in. / 945 mm (84 W)</b>

Color Temperature		FWHM Beam Angle	
<b>27 - 2700K</b>	<b>40 - 4000K</b>	<b>15 - 15°x15°</b>	<b>70 - 70°x70°</b>
<b>30 - 3000K</b>	<b>50 - 5000K</b>	<b>25 - 25°x25°</b>	<b>15x45 - 15°x45°</b>
<b>35 - 3500K</b>	<b>60 - 6000K</b>	<b>45 - 45°x45°</b>	

### AVAILABLE COLOR TEMPERATURES



### AVAILABLE BEAM ANGLES



Acolyte does not warrant or represent that the information is free from errors or omission. The information may change without notice and Acolyte is not in any way liable for the accuracy of any information printed and stored or in any way interpreted or used.

**SPECIFICATIONS**

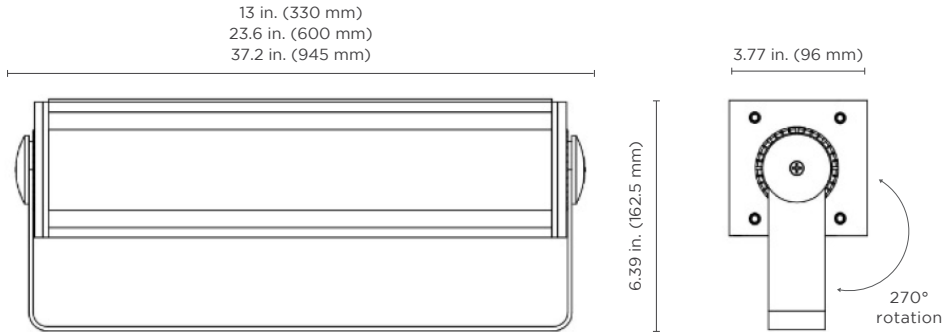
<b>Voltage</b>	100-277V AC		
<b>Length</b>	13 in. / 330 mm	23.6 in. / 600 mm	37.2 in. / 945 mm
<b>Power Consumption</b>	33 W	52 W	84 W
<b>Amperage</b>	0.26 A @ 120V 0.14 A @ 230V 0.12 A @ 277V	0.52 A @ 120V 0.27 A @ 230V 0.24 A @ 277V	0.84 A @ 120V 0.45 A @ 230V 0.39 A @ 277V
<b>Lumens per Watt</b>	80 lm/W @ 4000K, 15°x15°		
<b>Color Temperature</b>	2700K, 3000K, 3500K, 4000K, 5000K, 6000K		
<b>Available Lengths</b>	13 in. (330 mm), 23.6 in. (600 mm), 37.2 in. (945 mm)		
<b>LED Beam Angle</b>	15°x15°, 25°x25°, 45°x45°, 70°x70°, 15°x45°		
<b>Control System</b>	Dimming ON/OFF, 0-10V		
<b>CRI</b>	80+ CRI (2700K-5000K) 70+ CRI (6000K)		
<b>Driver Type</b>	Constant current		
<b>Housing / Lens Materials</b>	Housing: Extruded Aluminium Lens: Optical Grade PMMA End Caps: Die-Cast Aluminium Gasket: Silicone Rubber		
<b>Protection Rating</b>	IP66		
<b>Mounting Options</b>	End mounting bracket		
<b>Lamp Life</b>	60,000 hours		
<b>Certifications</b>	CE, ETL / Luminaires - UL 1598, 3rd Ed., issued September 17, 2008, Rev. October 17, 2012 / Luminaires - CSA C22.2 No.250.0-08, 3rd Ed., issued September 17, 2008, Rev. October 17, 2012 (R2013)		
<b>Fixture Color Finishes</b>	Gray, Custom RAL		
<b>Warranty</b>	3 Years		

**LUMEN OUTPUT TABLE**

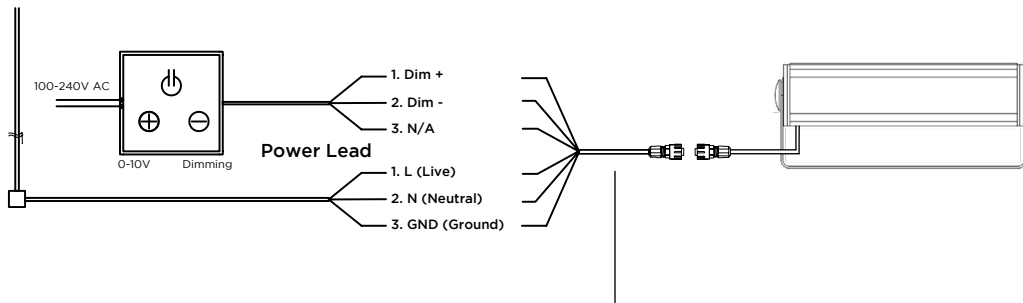
Beam Angles	Color Temperature					
	2700K	3000K	3500K	4000K	5000K	6000K
15°	2460 lm/ft (8562 lm/m)	2596 lm/ft (8562 lm/m)	2714 lm/ft (8562 lm/m)	2733 lm/ft (8562 lm/m)	3033 lm/ft (8562 lm/m)	2902 lm/ft (8562 lm/m)
25°	2535 lm/ft (8562 lm/m)	2676 lm/ft (8562 lm/m)	2797 lm/ft (8562 lm/m)	2817 lm/ft (8562 lm/m)	3127 lm/ft (8562 lm/m)	2991 lm/ft (8562 lm/m)
45°	2276 lm/ft (8562 lm/m)	2403 lm/ft (8562 lm/m)	2511 lm/ft (8562 lm/m)	2529 lm/ft (8562 lm/m)	2807 lm/ft (8562 lm/m)	2686 lm/ft (8562 lm/m)
70°	1925 lm/ft (8562 lm/m)	2043 lm/ft (8562 lm/m)	2135 lm/ft (8562 lm/m)	2150 lm/ft (8562 lm/m)	2387 lm/ft (8562 lm/m)	2284 lm/ft (8562 lm/m)
15x45°	2492 lm/ft (8562 lm/m)	2630 lm/ft (8562 lm/m)	2749 lm/ft (8562 lm/m)	2769 lm/ft (8562 lm/m)	3073 lm/ft (8562 lm/m)	2941 lm/ft (8562 lm/m)

DIMENSIONS

Without Glare Shield



WIRING DIAGRAM & ACCESSORIES

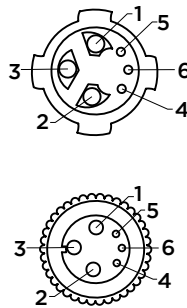


**6 Pin Female Connector to Bare Wire (Power)**  
1. MINICBLFB6PIN2000 (6.6 ft / 2000 mm)  
2. MINICBLFB6PIN6000 (19.7 ft / 6000 mm)

6-PIN CONNECTOR AND WIRE SPECS

Cable	Function	Pin ID	Wire Size	Wire Color (US)
Power Lead in / Power Extension	L (Line)	1	16AWG	Black
	N (Neutral)	2	16AWG	White
	GND (Ground)	3	16AWG	Green
Dimming	DIM +	4	22AWG	Purple
	DIM -	5	22AWG	Gray
	N/A	6	22AWG	Yellow

PIN ID:



6 Pin Cable with Female Connector to Bare Wire (Power)

To bare wire for incoming power  
Lengths: 78.74 in. (2000 mm) and 19.7 ft (6000 mm)



Part Number:  
MINICBLFB6PIN2000 (6.6 ft / 2000 mm)  
MINICBLFB6PIN6000 (19.7 ft / 6000 mm)