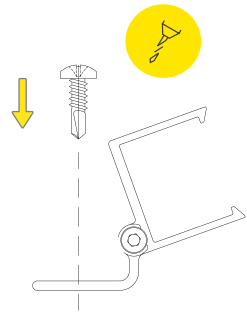
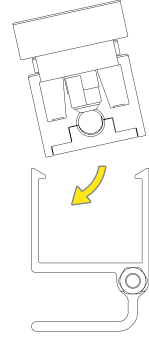
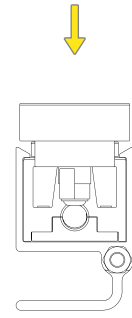
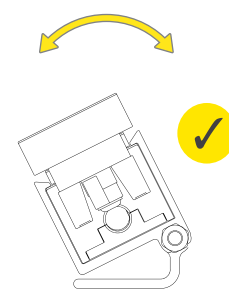


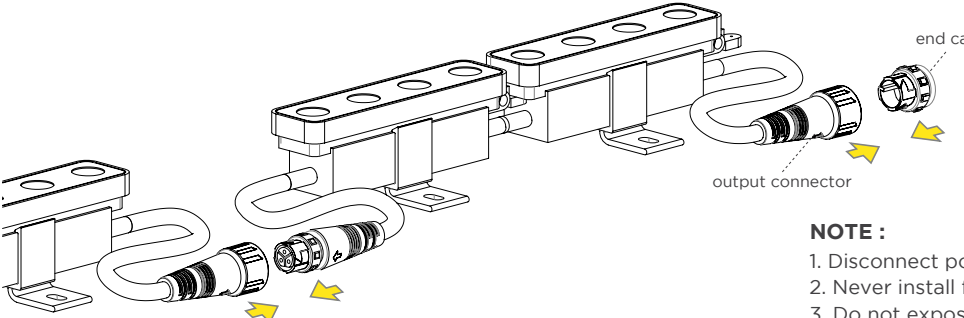
1. 

Measure and mark desired location of fixture on installation surface. Drill pilot holes.
2. 

Rotate fixture into bracket.
3. 

Push fixture into bracket.
4. 

Set desired angle. Installation complete.



NOTE :

1. Disconnect power during installation and/or maintenance.
2. Never install fixture in wet or severe weather conditions.
3. Do not expose disconnected fixtures to rain or snow.
4. Always install end cap on last output connector.

WARNING :
Support fixture during installation. DO NOT carry Nano Pivot chain by a single pixel and DO NOT try to flex Nano Pivot hinges beyond 20° top-bending and 30° side-bending maximums.

