

C4 EXTENDED

The C4 Extended controller provides a user-friendly programming experience with full functionality on any device (phone, tablet or computer). Easily control individual pixels in complex lighting products. With a simple menu and wireless configuration, the 24V C4 Extended controller can be programmed with 8 bit or 16 bit dimming. Quickly create seamless loops, color scrolls and fade effects. Compatible with DMX, SPI (Serial Peripheral Interface), 0-10V and Art-Net.

- Choose from 1, 2, 4 or 8 universes
- Control up to 4,096 channels
- Program individual pixels
- Choose 8 bit or 16 bit dimming
- Daisy chain controllers for larger projects
- Supports 60 SPI protocols
- Built-in triggers and interfaces for automated applications
- Adjust brightness, saturation, speed and hue
- Lifetime software license automatically updates features
- Licenses can be easily upgraded/expanded online
- IP10 for indoor use
- Rail mount or wall mount with screws
- 5-year warranty



RoHS



ORDERING GUIDE

Category	Channel Option	
CTRLPIXEL		
CTRLPIXEL - C4 Extended Controller	1 - 1 universes (1 x 512 channels)	4 - 4 universes (4 x 512 channels)
	2 - 2 universes (2 x 512 channels)	8 - 8 universes (8 x 512 channels)

Accessories

DigiDot Din-rail mounting clip
Part #: DIGIDRMC

DigiDot RJ45 DMX Adapter
Part #: DIGIRJ45DMXADP

DigiDot USB Power Cable (included accessory)
Part #: DIGICBLUSB

DigiDot TRRS Trigger Cable
Part #: DIGICBLTRRS

DigiDot RJ45 Network Cable (included accessory)
Part #: DIGICBLRJ45

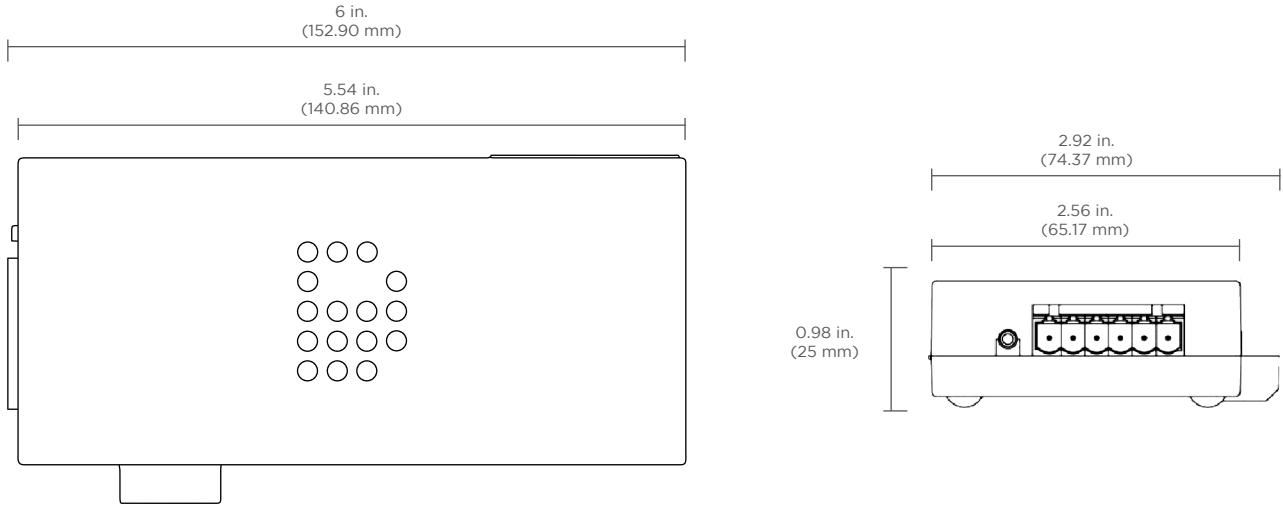
DigiDot 8GB microSD card (included accessory)
Part #: DIGISD

SPECIFICATIONS

Input Power	5-24V DC
Power Consumption	5W
Output Protocol	Art-Net, DMX, SPI(TTL), SaCN
Control	Art-Net, 0-10V, DMX, Push Dim, WiFi
Channel Options	1 x 512 ch 2 x 512 (1024 ch) 4 x 512 (2048 ch) 8 x 512 (4096 ch)
Number of Channels	Up to 4096 ArtNet channels or 1024 DMX channels
Dimming Range	8 bit/16 bit
Environment	Indoor use
Operating Temperature	32° - 122° F (0° - 50° C)
Standards	ETL, CE, RoHS, UKCA
Dimensions (L x W x D)	6.02 x 2.91 x 1.1 in. (153 x 74 x 28 mm)
Weight	0.30 lb (140 g)
Warranty	5 years

Acolyte does not warrant or represent that the information is free from errors or omission. The information may change without notice and Acolyte is not in any way liable for the accuracy of any information printed and stored or in any way interpreted or used.

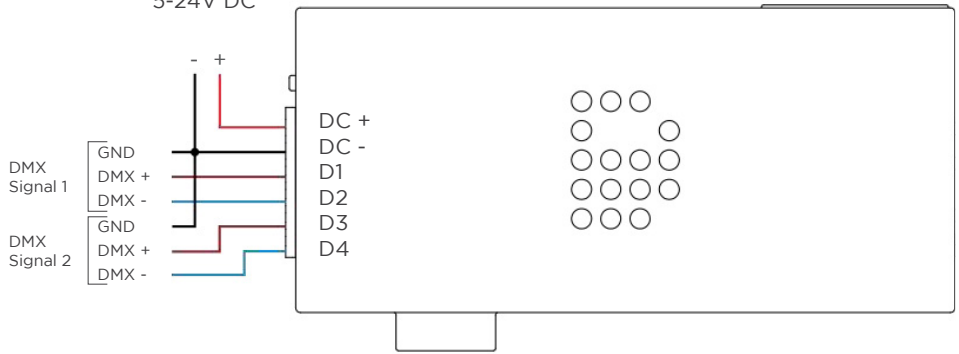
DIMENSIONS



WIRING DIAGRAMS

DMX in/out

Input voltage from external driver
5-24V DC



SPI

Input voltage from external driver
5-24V DC

