

## C4 LIVE

The C4 Live controller provides a user-friendly programming experience with full functionality on any device (phone, tablet or computer). Easily control individual pixels in complex lighting projects and architainment installations. With a simple menu and wireless configuration, the high speed 24V C4 Live controller can be programmed with 8 bit or 16 bit dimming. Quickly create seamless loops, color scrolls and fade effects. Compatible with DMX, SPI (Serial Peripheral Interface), 0-10V and Art-Net.



RoHS



- Control up to 24 universes\*
- Control up to 12,288 channels\*
- Program individual pixels
- Choose 8 bit or 16 bit dimming
- Daisy chain controllers for larger projects
- Supports more than 50 SPI protocols
- Built-in triggers and interfaces for automated applications
- Adjust brightness, saturation, speed and hue
- Lifetime software license automatically updates features
- Licenses can be easily upgraded/expanded online
- IP10 for indoor use
- Rail mount or wall mount with screws
- 5-year warranty

## ORDERING GUIDE

Category	Channel Option	
<b>CTRLPIXELLIVE</b>		
<b>CTRLPIXELLIVE - C4 Live Controller</b>	<b>4</b> - 4 universes (4 x 512 channels)	<b>16</b> - 16 universes (16 x 512 channels)
	<b>8</b> - 8 universes (8 x 512 channels)	<b>24</b> - 24 universes (24 x 512 channels)*
	<b>12</b> - 12 universes (12 x 512 channels)	

\* Requires advanced knowledge of SPI protocols and frame rates.

### Accessories

DigiDot Din-rail mounting clip  
Part #: DIGIDRMC

DigiDot RJ45 DMX Adapter  
Part #: DIGIRJ45DMXADP

DigiDot USB Power Cable  
Part #: DIGICBLUSB

DigiDot TRRS Trigger Cable  
Part #: DIGICBLTRRS

DigiDot RJ45 Network Cable  
Part #: DIGICBLRJ45

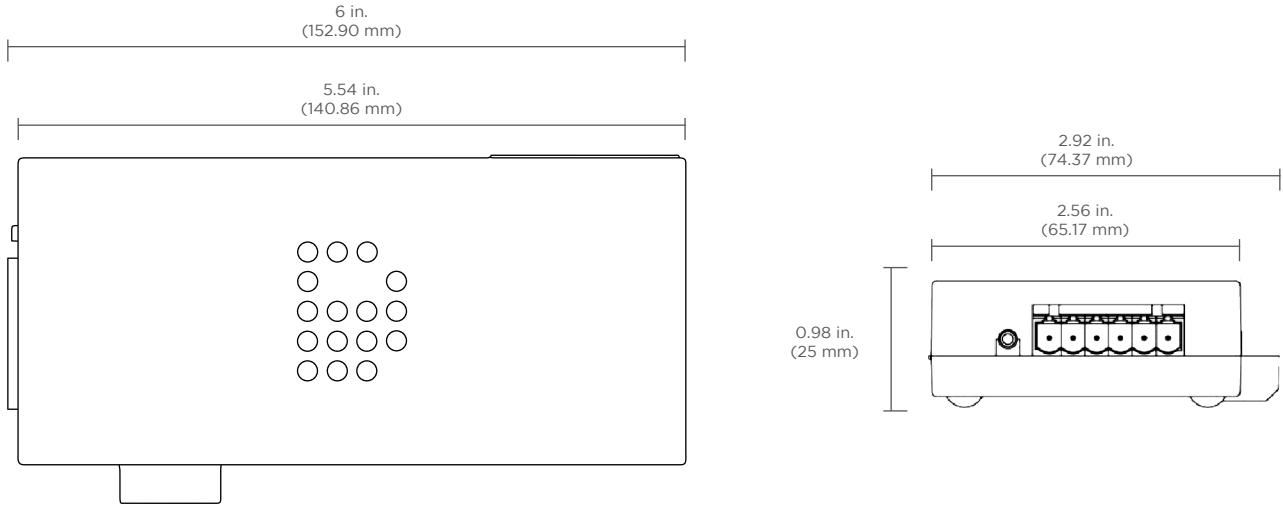
DigiDot 8GB microSD card  
Part #: DIGISD

## SPECIFICATIONS

<b>Input Power</b>	5-24V DC
<b>Power Consumption</b>	5W
<b>Output Signal</b>	Art-Net 1, 2, 3, 4 (out/through), DMX512 (2 inputs), DMX(TTL), SaCN
<b>Control</b>	Art-Net, 0-10V, DMX, Push Dim, WiFi
<b>Number of Channels</b>	Up to 12,288 ArtNet channels (24 universes)
<b>Dimming Range</b>	8 bit/16 bit
<b>Environment</b>	Indoor use
<b>Operating Temperature</b>	32° - 122° F (0° - 50° C)
<b>Standards</b>	ETL, CE, RoHS, UKCA
<b>Dimensions (L x W x D)</b>	6.02 x 2.91 x 1.1 in. (153 x 74 x 28 mm)
<b>Weight</b>	0.30 lb (140 g)
<b>Warranty</b>	5 years

Acolyte does not warrant or represent that the information is free from errors or omission. The information may change without notice and Acolyte is not in any way liable for the accuracy of any information printed and stored or in any way interpreted or used.

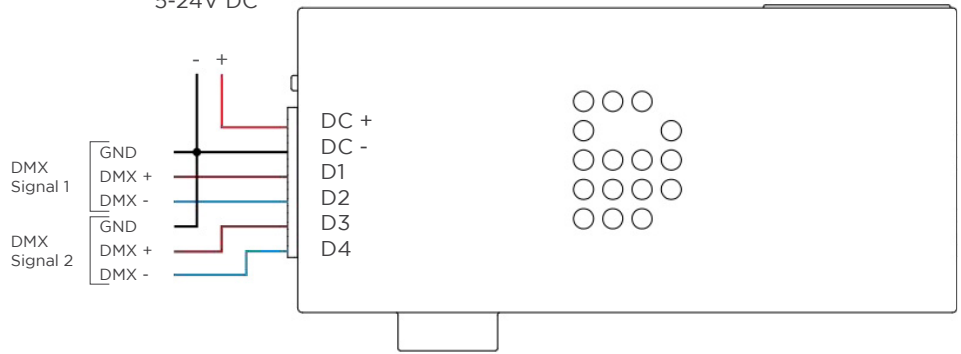
**DIMENSIONS**



**WIRING DIAGRAMS**

**DMX in/out**

Input voltage from external driver  
5-24V DC



**SPI**

Input voltage from external driver  
5-24V DC

