

C4 LIVE

The C4 Live controller provides a user-friendly programming experience with full functionality on any device (phone, tablet or computer). Easily control individual pixels in complex lighting projects and archtainment installations. With a simple menu and wireless configuration, the high speed 24V C4 Live controller can be programmed with 8 bit or 16 bit dimming. Quickly create seamless loops, color scrolls and fade effects. Compatible with DMX, SPI (Serial Peripheral Interface), 0-10V and Art-Net.



- Control up to 24 universes*
- Control up to 12,288 channels*
- Program individual pixels
- Choose 8 bit or 16 bit dimming
- Daisy chain controllers for larger projects
- Supports more than 50 SPI protocols
- Built-in triggers and interfaces for automated applications
- Adjust brightness, saturation, speed and hue
- Lifetime software license automatically updates features
- Licenses can be easily upgraded/expanded online
- IP10 for indoor use
- Rail mount or wall mount with screws
- 5-year warranty

ORDERING GUIDE

Category	Channel Option	
CTRLPIXELLIVE		
CTRLPIXELLIVE - C4 Live Controller	8 - 8 universes (8 x 512 channels)	16 - 16 universes (16 x 512 channels)
	12 - 12 universes (12 x 512 channels)	24 - 24 universes (24 x 512 channels)*

* Requires advanced knowledge of SPI protocols and frame rates.

Accessories

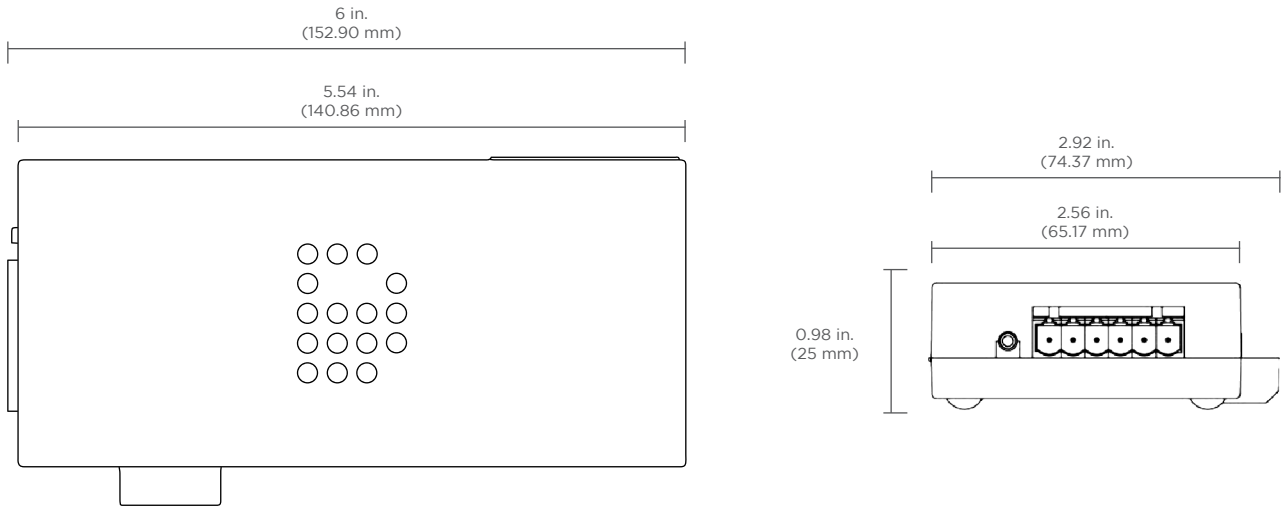
DigiDot Din-rail mounting clip Part #: DIGIDRMC	DigiDot RJ45 DMX Adapter Part #: DIGIRJ45DMXADP	DigiDot USB Power Cable Part #: DIGICBLUSB
DigiDot TRRS Trigger Cable Part #: DIGICBLTRRS	DigiDot RJ45 Network Cable Part #: DIGICBLRJ45	DigiDot 8GB microSD card Part #: DIGISD

SPECIFICATIONS

Input Power	5-24 VDC
Power Consumption	5W
Output Signal	Art-Net 1, 2, 3, 4 (out/through), DMX512 (2 inputs), DMX(TTL), SaCN
Control	Art-Net, 0-10V, DMX, Push Dim, WiFi
Number of Channels	Up to 12,288 ArtNet channels (24 universes)
Dimming Range	8 bit/16 bit
Environment	Indoor use
Operating Temperature	32 – 122 °F (0 – 50 °C)
Standards	ETL, CE, RoHS, UKCA
Dimensions (L x W x D)	6.02 x 2.91 x 1.1 in. (153 x 74 x 28 mm)
Weight	0.30 lb (140 g)
Warranty	5 years

Acolyte does not warrant or represent that the information is free from errors or omission. The information may change without notice and Acolyte is not in any way liable for the accuracy of any information printed and stored or in any way interpreted or used.

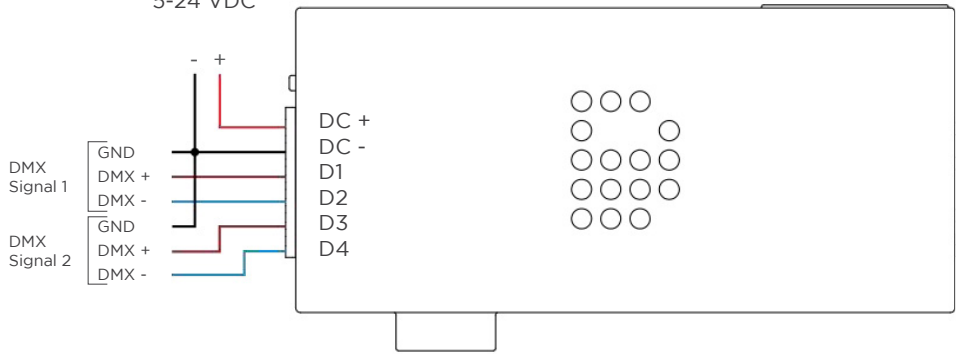
DIMENSIONS



WIRING DIAGRAMS

DMX in/out

Input voltage from external driver
5-24 VDC



SPI

Input voltage from external driver
5-24 VDC

